

1. SPECIFICATION

AKR-28280820-MMPU-1C4

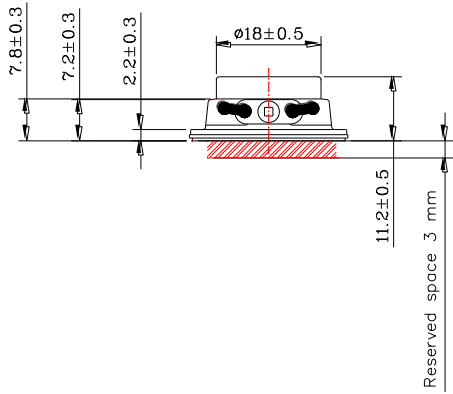
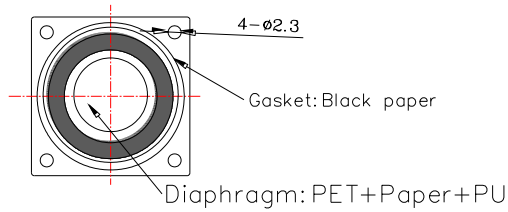
ITEM		SPECIFICATIONS	
01	Type	Dynamic Speaker	
02	Rated Input Power	2.0 W	
03	Max. Input Power	3.0W for 1 minute	
04	Impedance	$8\Omega \pm 15\%$ at 1KHz 1V	
05	Resonance Frequency (Fo)	430Hz $\pm 20\%$ at Fo, 1V	
06	Sound pressure level	94dB(2.0W/0.1M) ± 3 dB	at AVE0.8, 1.0, 1.2, 1.5 KHz.
07	Frequency Range	Fo –15K Hz	
08	Total Harmonics Distortion	Max 10 % at 1 KHz, 1.0W.	
09	Magnet	Rare earth permanent (NeFeB) magnet $\Phi 12.5*2.5$ mm	

REV NO.

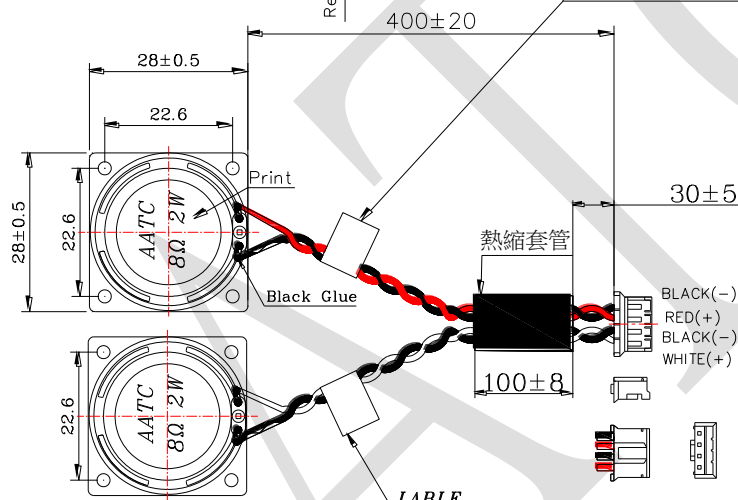
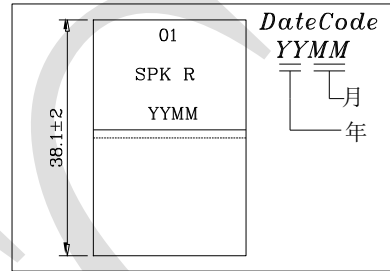
REVISION NOTE

APPROVAL

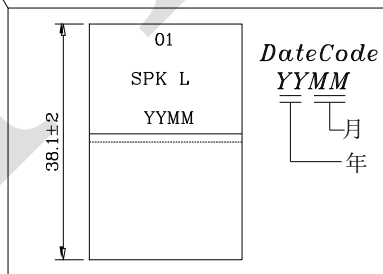
DATE



TABLE



TABLE



Wires: UL1571.AWG24#
CONNECTOR : Equivalent to JST PHR-4

RoHS

TITLE: DYNAMIC SPEAKER		DRAWN: Zack	2018/07/31	SCALE: 2:1	SHEET: 1:1
PART NO. AKR-28280820-MMPU-1C4		DESIGNED: R&D OF AAT		UNITS: mm	
DWG NO. CXS2828112LP400400-R08W2.0-A-1		CHECKED:		TOLERANCE ± 0.5	
		APPROVAL:		UNLESS OTHERWISE SPECIFIED:	
REV		MATERIAL: SPCC		ONE PLACE DECIMAL ± ***	
				TWO PLACE DECIMAL ± ***	
				THREE PLACE DECIMAL ± ***	



ADVANCED ACOUSTIC TECHNOLOGY CORPORATION