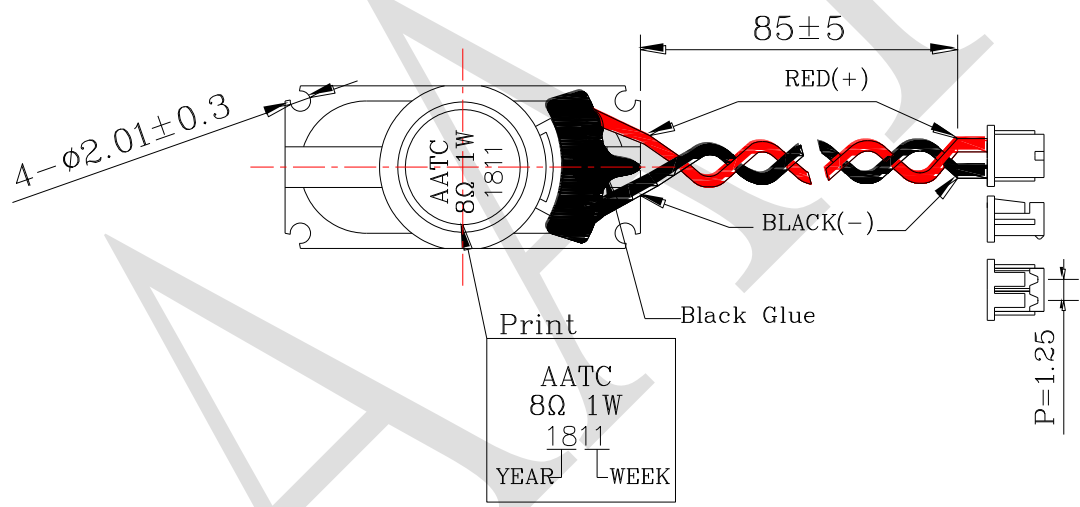
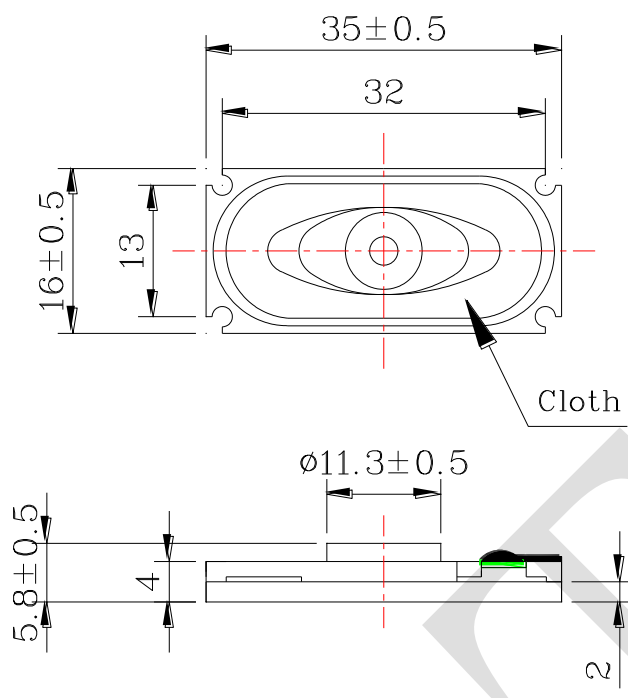


## 1. SPECIFICATION

AKR-35160810-PM-1C

ITEM		SPECIFICATIONS	
01	Type	Dynamic speaker	
02	Dimension	External diameter 35 x 16 mm	
03	Rated Input Power	1.0W	
04	Max. Input Power	2.0 W for 1 minute	
05	Impedance	$8\Omega \pm 15\%$ at 2KHz 1V	
06	Resonance Frequency (Fo)	720Hz $\pm$ 20% at Fo, 1V	
07	Sound pressure level	80 dB(1.0W/0.5M) $\pm$ 3 dB	at AVE 0.6, 0.8, 1.0, 1.2 KHz.
		95dB(1.0W/0.1M) $\pm$ 3 dB	
08	Frequency Range	Fo -20K Hz	
09	Total Harmonics Distortion	Max 10 % at 1 KHz, 0.1W	

REV NO.	REVISION NOTE	APPROVAL	DATE
---------	---------------	----------	------



WIRE: UL1571,AWG26#  
 CONNECTOR: Equivalent to MOLEX 51021-0200

RoHS

TITLE: DYNAMIC SPEAKER		DRAWN: <b>Moose</b> 2018-11-15	SCALE: 2:1	SHEET: 1:1
PART NO. AKR-35160810-PM-1C	1	DESIGNED: R&D OF AAT	UNITS: mm	
DWG NO. YGDA1635C-8WC85-02		CHECKED:	TOLERANCE ± 0.5	
REV		APPROVAL:	UNLESS OTHERWISE SPECIFIED: ONE PLACE DECIMAL ± *** TWO PLACE DECIMAL ± *** THREE PLACE DECIMAL ± ***	
		MATERIAL: PBT		



**ADVANCED ACOUSTIC TECHNOLOGY CORPORATION**