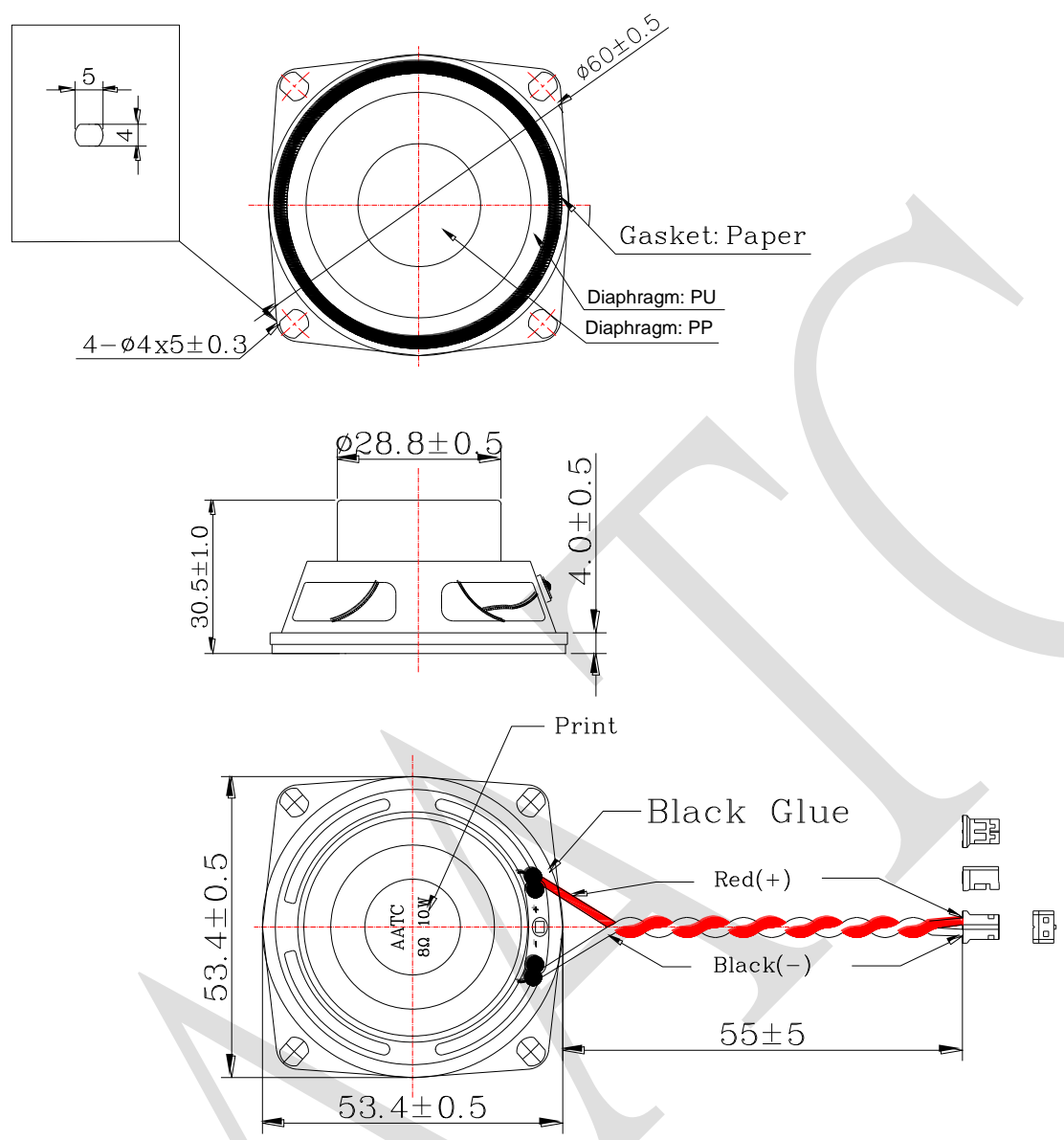


1. SPECIFICATION

AKR-535308100-MU-1C2

ITEM		SPECIFICATIONS	
01	Type	Dynamic Speaker	
02	Dimension	External diameter 53X53 mm	
03	Rated Input Power	10 W	
04	Max. Input Power	15 W for 1 minute	
05	Impedance	$8\Omega \pm 15\%$ at 1KHz 1V	
06	Resonance Frequency (Fo)	200 Hz $\pm 20\%$ at Fo, 1V	
07	Sound pressure level	$121 \text{ dB}(10\text{W}/0.1\text{M}) \pm 3 \text{ dB}$	at AVE 0.4 0.5, 0.6, 0.8 KHz.
08	Frequency Range	Fo – 10 K Hz	
09	Total Harmonics Distortion	Max 10 % at 1 KHz, 1.0W.	

REV NO.	REVISION NOTE	APPROVAL	DATE
---------	---------------	----------	------



WIRE: UL1571,AWG24#
CONNECTOR: Equivalent to JST PHR-2 RoHS

TITLE: DYNAMIC SPEAKER		DRAWN: <i>Moose</i> 2018-02-21	SCALE: 1:1	SHEET: 1 : 1
PART NO. AKR-535308100-MU-1C2		DESIGNED: R & D OF AAT	UNITS: mm	TOLERANCE ± 0.5
DWG NO. *****		CHECKED:	UNLESS OTHERWISE SPECIFIED:	
REV 1		APPROVAL:	ONE PLACE DECIMAL \pm ***	
		MATERIAL: SPCC	TWO PLACE DECIMAL \pm ***	
			THREE PLACE DECIMAL \pm ***	



ADVANCED ACOUSTIC TECHNOLOGY CORPORATION