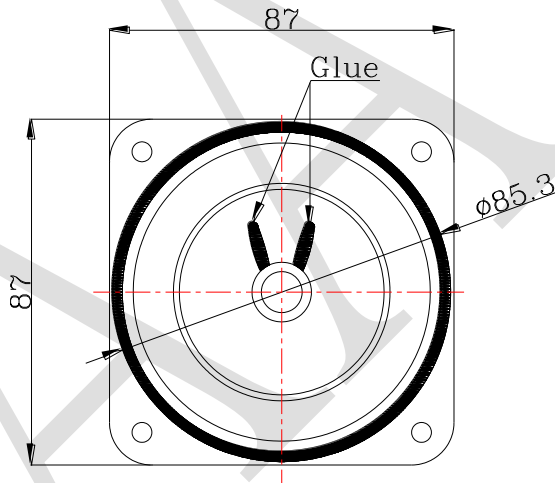
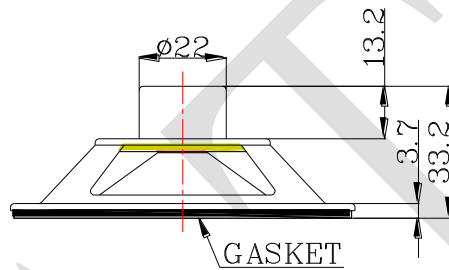
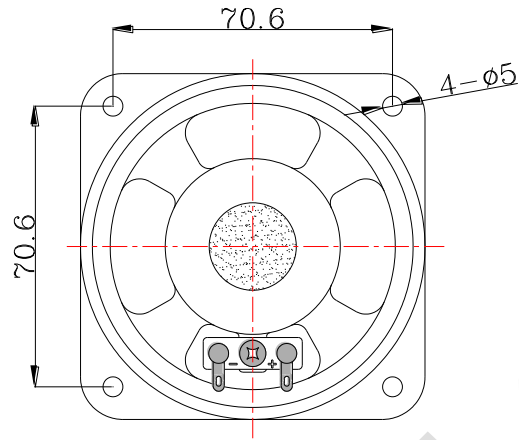


1. SPECIFICATION

AKR-878708C-1

ITEM		SPECIFICATIONS	
01	Type	Dynamic speaker	
02	Dimension	External diameter 87 x 87 mm	
03	Rated Input Power	5.0 W	
04	Max. Input Power	8.0W for 1 minute	
05	Impedance	$8\Omega \pm 15\%$ at 0.8KHz 1V	
06	Resonance Frequency (Fo)	240 Hz $\pm 20\%$ at Fo, 1V	
07	Sound pressure level	90 dB(1.0W/0.5M) ± 3 dB	at AVE0.4, 0.6, 0.8, 1.0 KHz.
		105 dB(5.0W/0.1M) ± 3 dB	
08	Frequency Range	Fo – 13K Hz	
09	Total Harmonics Distortion	Max 10 % at 1 KHz, 6.32V.	

REV NO.	REVISION NOTE	APPROVAL	DATE
---------	---------------	----------	------



RoHS

TITLE: DYNAMIC SPEAKER		DRAWN: Jerry	2013/11/14	SCALE: 2:1	SHEET: 1:1
PART NO. AKR-878708C-1	1 REV	DESIGNED: R&D OF AAT		UNITS: mm	TOLERANCE ± 0.5
DWG NO. TQ-087AL-R		CHECKED:		UNLESS OTHERWISE SPECIFIED: ONE PLACE DECIMAL ± ***	
		APPROVAL:		TWO PLACE DECIMAL ± ***	
		MATERIAL: *****		THREE PLACE DECIMAL ± ***	



ADVANCED ACOUSTIC TECHNOLOGY CORPORATION