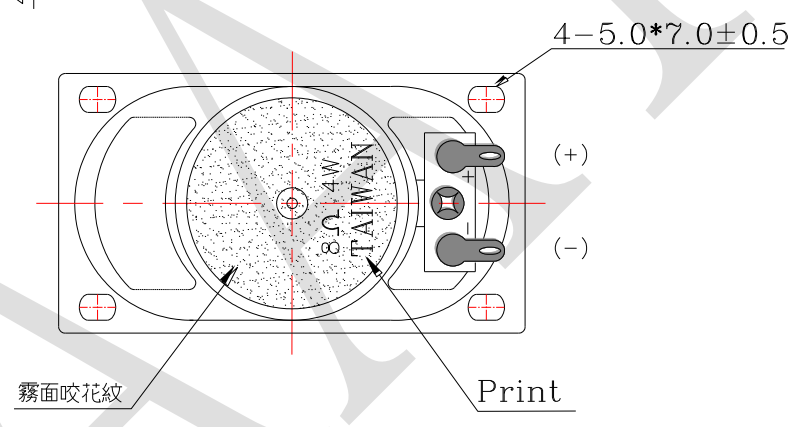
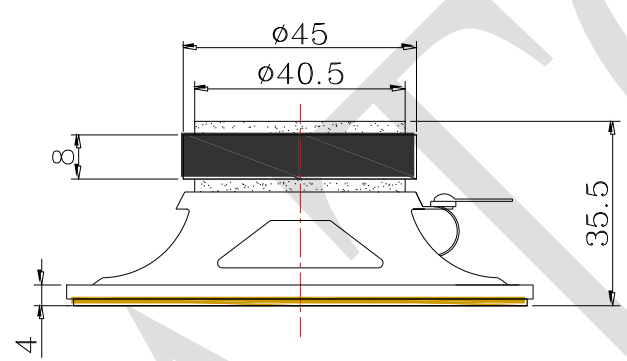
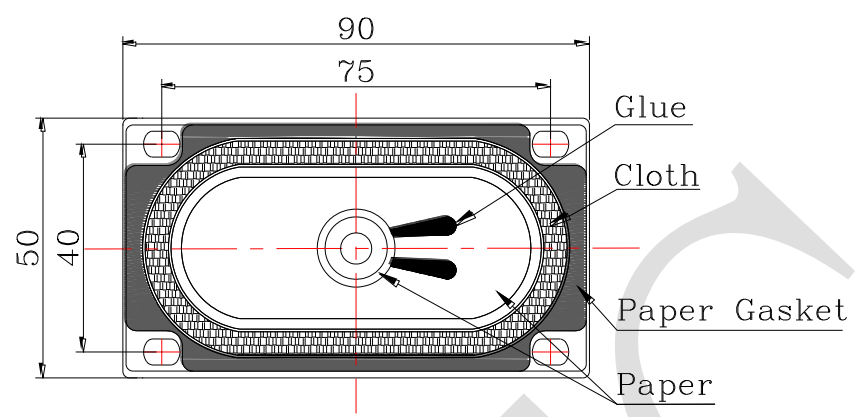


1. SPECIFICATION

AKR-905008C-1(100030901)

ITEM		SPECIFICATIONS	
01	Type	Dynamic speaker	
02	Dimension	External diameter 90 x 50 mm	
03	Rated Input Power	4.0 W	
04	Max. Input Power	5.0 W for 1 minute	
05	Impedance	$8\Omega \pm 15\%$ at 0.8KHz 1V	
06	Resonance Frequency (Fo)	250 Hz $\pm 20\%$ at Fo, 1V	
07	Sound pressure level	86 dB(1.0W/0.5M) ± 3 dB	at AVE 0.4K, 0.6K, 0.8K, 1.0 KHz.
		104 dB(4.0W/0.1M) ± 3 dB	
08	Frequency Range	Fo -7.5 K Hz	
09	Total Harmonics Distortion	Max 10 % at 1 KHz, 1.5V.	

REV NO.	REVISION NOTE	APPROVAL	DATE
---------	---------------	----------	------



RoHS

TITLE: DYNAMIC SPEAKER		DRAWN: Jerry	2012/11/05	SCALE: 2:1	SHEET: 1:1
PART NO. AKR-905008C-1		DESIGNED: R&D OF AAT		UNITS: mm	TOLERANCE ± 0.5
DWG NO. TV-5090FC-R(100030901)		CHECKED:		UNLESS OTHERWISE SPECIFIED:	
		APPROVAL:		ONE PLACE DECIMAL \pm ***	
REV	1	MATERIAL:	*****	TWO PLACE DECIMAL \pm ***	
				THREE PLACE DECIMAL \pm ***	



ADVANCED ACOUSTIC TECHNOLOGY CORPORATION

AAFC