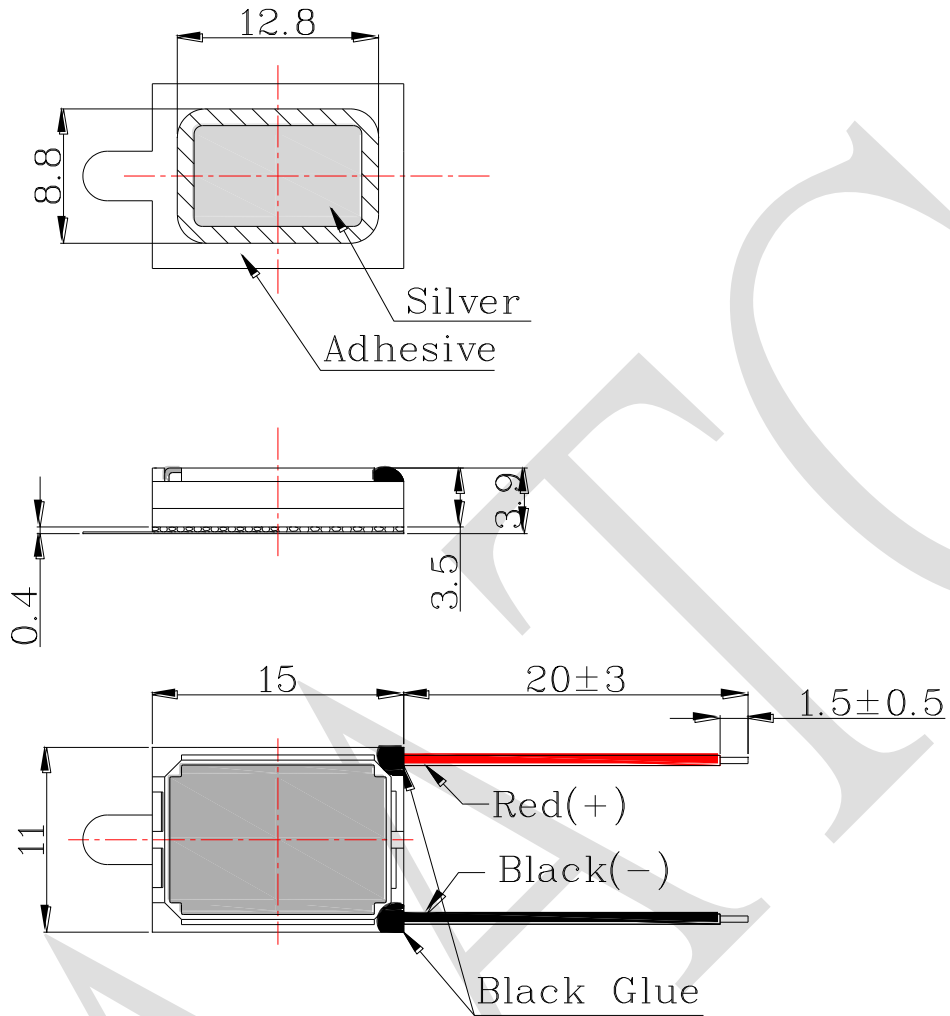


## 1. SPECIFICATION

AKR-P1511M8-1WV

ITEM		SPECIFICATIONS	
01	Type	Dynamic Speaker	
02	Dimension	External diameter 15 x 11 mm	
03	Rated Input Power	0.5 W	
04	Max. Input Power	0.8 W for 1 minute	
05	Impedance	$8\Omega \pm 15\%$ at 2KHz 1V	
06	Resonance Frequency (Fo)	650 Hz $\pm 20\%$ at Fo, 1V	
07	Sound pressure level	75 dB(0.1W/0.1M) $\pm 3$ dB	at AVE 0.6K, 0.8K, 1.0K, 1.2K KHz.
		81 dB(0.5W/0.1M) $\pm 3$ dB	
08	Frequency Range	Fo – 5 K Hz	
09	Total Harmonics Distortion	Max 10 % at 1 KHz, 0.1W.	

REV NO.	REVISION NOTE	APPROVAL	DATE
---------	---------------	----------	------



Wire: UL1571.AWG32#

RoHS

TITLE: DYNAMIC SPEAKER		DRAWN: Zack	2015/08/04	SCALE: 1:1	SHEET: 1 : 1
PART NO. AKR-P1511M8-1WV		DESIGNED: R & D OF AAT	UNITS: mm		
DWG NO. JXS1511-08-07W20	2 REV	CHECKED:	TOLERANCE ± 0.5		
		APPROVAL:	UNLESS OTHERWISE SPECIFIED: ONE PLACE DECIMAL ± *** TWO PLACE DECIMAL ± *** THREE PLACE DECIMAL ± ***		
		MATERIAL: PBT			



ADVANCED ACOUSTIC TECHNOLOGY CORPORATION