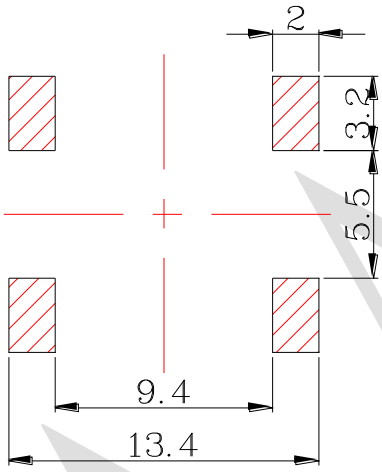
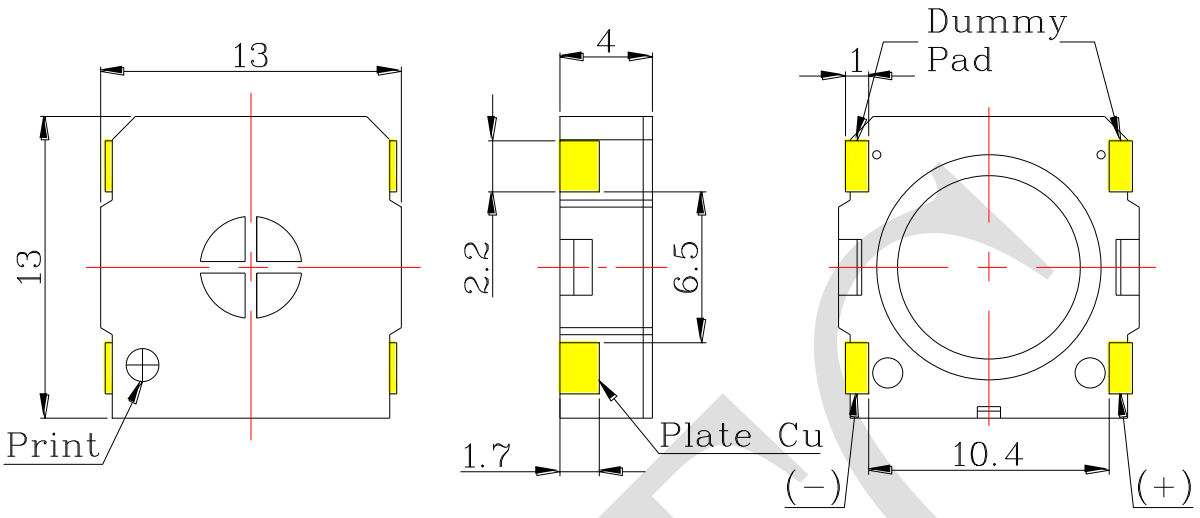


1. SPECIFICATION

AKS-1308-1

ITEM		SPECIFICATIONS	
01	Type	Dynamic speaker SMD type	
02	Dimension	External diameter 13 x 13 mm	
03	Rated Input Power	0.7 W	
04	Max. Input Power	1.0 W for 1 minute	
05	Impedance	$8\Omega \pm 15\%$ at 2KHz 1V	
06	Resonance Frequency (Fo)	1100 Hz $\pm 20\%$ at Fo, 1V	
07	Sound pressure level	77 dB(0.1W/0.1M) ± 3 dB	at AVE 1.0, 1.2, 1.5, 2.0 KHz.
		83 dB(0.7W/0.1M) ± 3 dB	
08	Frequency Range	Fo – 20 K Hz	
09	Total Harmonics Distortion	Max 10 % at 1 KHz, 0.1W(0.89V rms).	
10	Voice Coil	Diameter 6.5 mm	
11	Magnet	Rare earth permanent (SMCO) magnet Φ 6.1 mm	
12	Weight	0.8 g \pm 0.3g	
13	Appearance	Should not exist any obstacle to be harmful to normal operation; damages, cracks, rusts and distortions, etc.	
14	Operation Test	Must be normal at program source 0.7W	
15	Buzz, Rattle, etc.	Should not be audible at 2.37 V sine wave between Fo to 20KHz	
16	Polarity	When positive voltage is applied to the terminal marked (+), diaphragm should move to the front.	
17	Terminal Strength	Capable of withstand 1kg load for 15 seconds without resulting in any damage or rejection.	
18	Temperature	Operating temperature: -40°C to +85°C	
		Storage temperature: -40°C to +85°C	

REV NO.	REVISION NOTE	APPROVAL	DATE
---------	---------------	----------	------



RECOMMENDED PCB LAYOUT

CAUTION : WASH NOT ALLOWED!

RoHS

TITLE: DYNAMIC SPEAKER		DRAWN: Zack	2017/08/24	SCALE: 2:1	SHEET: 1:1
PART NO. AKS-1308-1		DESIGNED: R&D OF AAT	UNITS: mm		
DWG NO. CXS1313040-R08W0.7-A-SM-A01	3	CHECKED:	TOLERANCE ± 0.5		
		APPROVAL:	UNLESS OTHERWISE SPECIFIED:		
		MATERIAL: LCP	ONE PLACE DECIMAL ± ***		
				TWO PLACE DECIMAL ± ***	
				THREE PLACE DECIMAL ± ***	



ADVANCED ACOUSTIC TECHNOLOGY CORPORATION