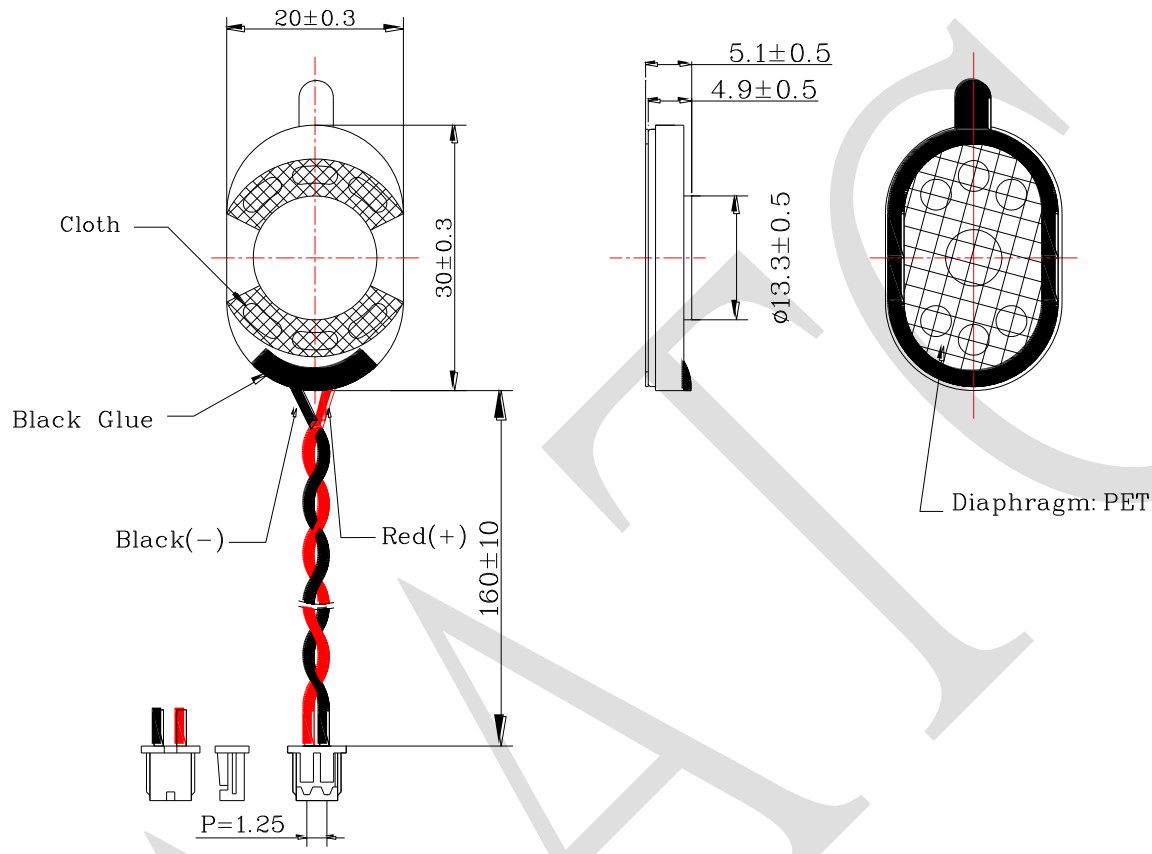


## 1. SPECIFICATION

AKV-30200810-PM-2CV

ITEM		SPECIFICATIONS	
01	Type	Dynamic Speaker	
02	Dimension	External diameter 30 x 20 mm	
03	Rated Input Power	1.0 W	
04	Max. Input Power	1.5 W for 1 minute	
05	Impedance	$8\Omega \pm 15\%$ at 2KHz 1V	
06	Resonance Frequency (Fo)	670 Hz $\pm$ 20% at Fo, 1V	
07	Sound pressure level	94 dB(1.0W/0.1M) $\pm$ 3 dB	at AVE 0.8, 1.0, 1.2, 1.5 KHz.
08	Frequency Range	Fo –8.0K Hz	
09	Total Harmonics Distortion	Max 10 % at 1 KHz, 1.0W.	

REV NO.	REVISION NOTE	APPROVAL	DATE
---------	---------------	----------	------



WIRE: UL1571,AWG30#  
CONNECTOR: Equivalent to Molex 51021-0200

RoHS

TITLE: DYNAMIC SPEAKER		DRAWN: <b>Moose</b> 2019-01-31	SCALE: 1:1	SHEET: 1 : 1
PART NO. AKV-30200810-PM-2CV		DESIGNED: R & D OF AAT	UNITS: mm	
DWG NO. CXS2030050LP160-R08W1.0-B		CHECKED:	TOLERANCE $\pm 0.5$	
		APPROVAL:	UNLESS OTHERWISE SPECIFIED: ONE PLACE DECIMAL $\pm$ *** TWO PLACE DECIMAL $\pm$ *** THREE PLACE DECIMAL $\pm$ ***	
REV	1	MATERIAL: SPCC/ABS		



ADVANCED ACOUSTIC TECHNOLOGY CORPORATION