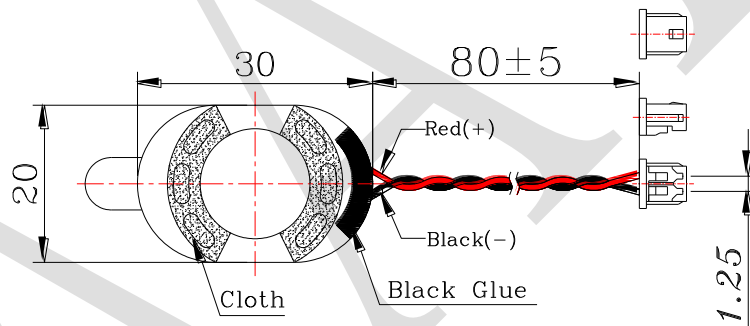
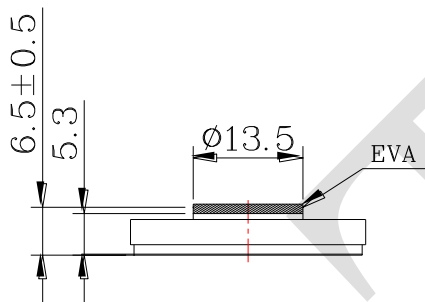
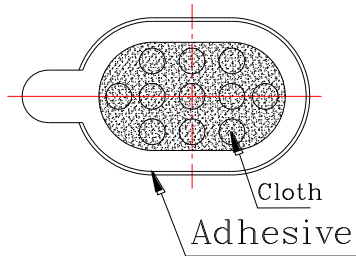


1. SPECIFICATION

AKV-P3020M4-1C

| ITEM | | SPECIFICATIONS | |
|------|----------------------------|-------------------------------|--------------------------------|
| 01 | Type | Dynamic speaker | |
| 02 | Dimension | External diameter 30 x 20 mm | |
| 03 | Rated Input Power | 1.0W | |
| 04 | Max. Input Power | 1.2 W for 1 minute | |
| 05 | Impedance | $4\Omega \pm 15\%$ at 1KHz 1V | |
| 06 | Resonance Frequency (Fo) | 750 Hz \pm 20% at Fo, 1V | |
| 07 | Sound pressure level | 89 dB(0.1W/0.1M) \pm 3 dB | at AVE 1.0, 1.2, 1.5, 2.0 KHz. |
| | | 95 dB(1.0W/0.1M) \pm 3 dB | |
| 08 | Frequency Range | Fo – 5 K Hz | |
| 09 | Total Harmonics Distortion | Max 10 % at 1 KHz, 1.5V. | |

| | | | |
|---------|---------------|----------|------|
| REV NO. | REVISION NOTE | APPROVAL | DATE |
|---------|---------------|----------|------|



Wire: UL1571 AWG30#

Connector: Equivalent to Molex 51021-0200

RoHS

| | | | | | |
|-------------------------------------|----------|----------------------|---|------------|------------|
| TITLE: DYNAMIC SPEAKER | | DRAWN: Zack | 2016/08/16 | SCALE: 2:1 | SHEET: 1:1 |
| PART NO. AKV-P3020M4-1C | | DESIGNED: R&D OF AAT | UNITS: mm | | |
| DWC NO. CXS2030065LP80-R04W1.0-A | 4 REV | CHECKED: | TOLERANCE ± 0.5 | | |
| | | APPROVAL: | UNLESS OTHERWISE SPECIFIED: | | |
| | | MATERIAL: ABS | ONE PLACE DECIMAL ± *** TWO PLACE DECIMAL ± *** THREE PLACE DECIMAL ± *** | | |



ADVANCED ACOUSTIC TECHNOLOGY CORPORATION