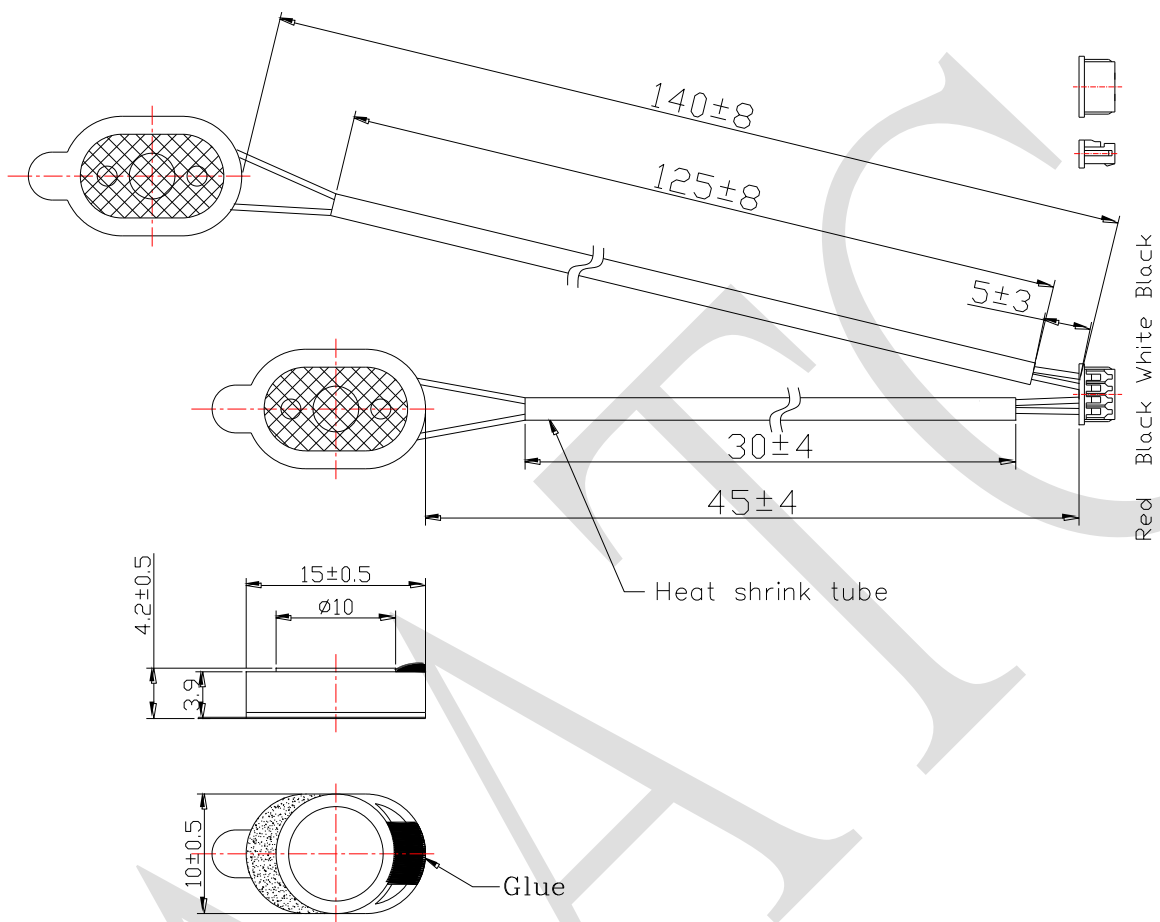


## 1. SPECIFICATION

AKV2-15100805-PM-1C

ITEM		SPECIFICATIONS	
01	Type	Dynamic speaker	
02	Dimension	External diameter 15 x 11 mm	
03	Rated Input Power	0.5 W	
04	Max. Input Power	0.8 W for 1 minute	
05	Impedance	$8\Omega \pm 15\%$ at 1 KHz 1V	
06	Resonance Frequency (Fo)	1300 Hz $\pm$ 20% at Fo, 1V	
07	Sound pressure level	86 dB(0.5W/0.1M) $\pm$ 3 dB	at AVE 1.5, 1.8, 2.0, 2.2 KHz.
08	Frequency Range	Fo – 20 K Hz	
09	Total Harmonics Distortion	Max 10 % at 1 KHz, 0.1W	

REV NO.	REVISION NOTE	APPROVAL	DATE
---------	---------------	----------	------



WIRE:UL1571, AWG28#  
CONNECTOR:Equivalent to Molex 51021-0400

RoHS

TITLE: DYNAMIC SPEAKER		DRAWN: <b>Zack</b>	2019/07/16	SCALE: 1:1	SHEET: 1 : 1
PART NO. AKV2-15100805-PM-1C		DESIGNED: R & D OF AAT		UNITS: mm	TOLERANCE ± 0.5
DWG NO. CXS1510042LP-R08W0.5-A1		CHECKED:		UNLESS OTHERWISE SPECIFIED:	
		APPROVAL:		ONE PLACE DECIMAL ± ***	
REV	1	MATERIAL: PBT		TWO PLACE DECIMAL ± ***	
				THREE PLACE DECIMAL ± ***	



ADVANCED ACOUSTIC TECHNOLOGY CORPORATION