

Description

The DIODES™ AL5810 is a constant current Linear LED driver offering an excellent temperature and voltage current stability with output adjustable handling capability. The AL5810 simplifies the design of LED drivers by setting the LED current with an external resistor using standard value resistors.

The AL5810 has an open drain output that can swing from 2.0V up to 60V supply voltage enabling it to drive long LED chains for high-side or low-side LED strings. Its low 0.5V R_{SET} pin is outside of the LED current path and can maintain current accuracy while minimizing the required overheads to regulate the LED current. This reduces its power dissipation when compared to traditional linear LED drivers. It makes it ideal for driving LEDs up to 200mA.

The AL5810 is available in the Wetable Flank W-DFN2020-3 (2mm x 2mm) featuring power dissipation (P_D) up to 2W and TO-252 (DPAK) package with P_D up to 3.8W.

Features

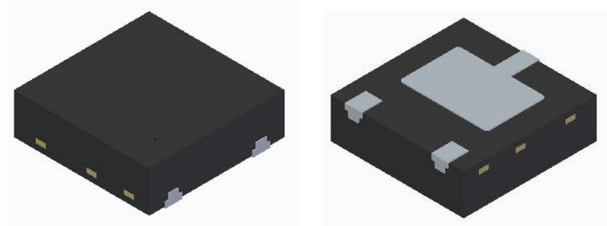
- 2.0V to 60V Wide Input Voltage Range
- An External Resistor for Setting Current
- Low Reference Voltage ($V_{RSET} = 0.5V$)
- Adjustable Sink or Source LED Current Up to 200mA/200mA (W-DFN2020-3/TO-252)
- $\pm 3\%$ LED Current Tolerance @Room Temp
- Parallel Devices to Increase Regulated Current
- Over Temperature Shutdown
- $-40^{\circ}C$ to $+105^{\circ}C$ Ambient Temperature Range
- Wetable W-DFN2020-3/SWP (Type A) (2mm x 2mm), P_D up to 2W; TO-252 (DPAK), P_D up to 3.85W
- **Totally Lead-Free & Fully RoHS Compliant (Notes 1 & 2)**
- **Halogen and Antimony Free. "Green" Device (Note 3)**
- **An automotive-compliant part is available under separate datasheet ([AL5810Q](#))**

Applications

- Decorative Lighting
- Display Signage
- AC Lighting Panels
- LED Strings for Dome and Mood Lighting
- Instrumentation Illumination

Pin Assignments

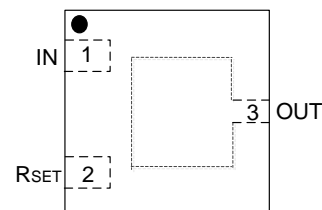
W-DFN2020-3/SWP (Type A)



Top View

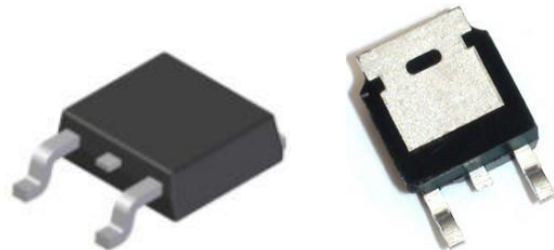
Bottom View

(Top View)



W-DFN2020-3

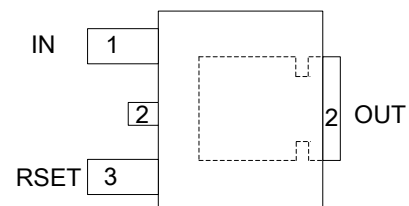
TO-252 (DPAK)



Top View

Bottom View

(Top View)



TO-252 (DPAK)

- Notes:
1. No purposely added lead. Fully EU Directive 2002/95/EC (RoHS), 2011/65/EU (RoHS 2) & 2015/863/EU (RoHS 3) compliant.
 2. See <https://www.diodes.com/quality/lead-free/> for more information about Diodes Incorporated's definitions of Halogen- and Antimony-free, "Green" and Lead-free.
 3. Halogen- and Antimony-free "Green" products are defined as those which contain <900ppm bromine, <900ppm chlorine (<1500ppm total Br + Cl) and <1000ppm antimony compounds.

Typical Applications Circuit

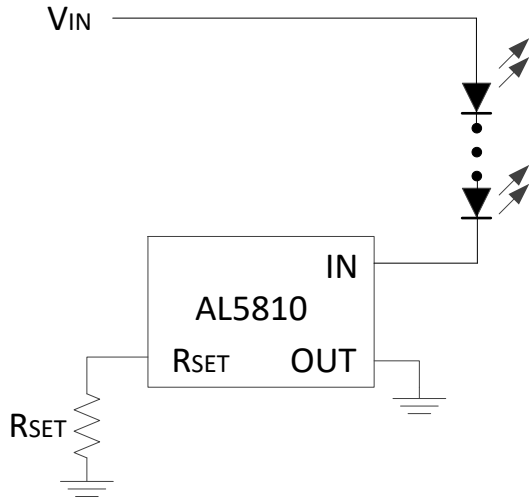


Figure 1. Low-Side Application

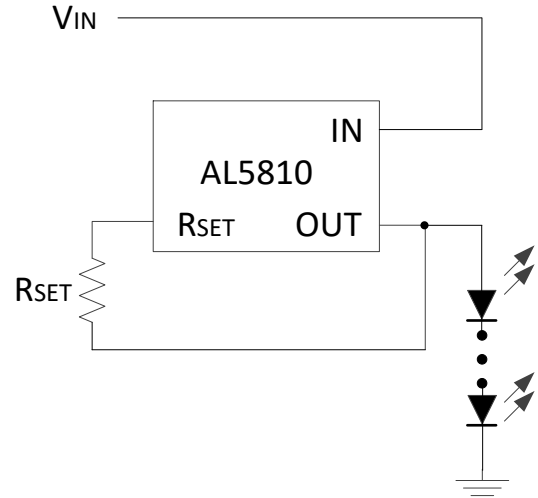


Figure 2. High-Side Application

Pin Descriptions

| Pin Name | Pin Number W-DFN2020-3 | Pin Number TO-252 (DPAK) | Function |
|------------------|---------------------------|-----------------------------|---|
| IN | 1 | 1 | LED Current Input Terminal Current flows IN to this pin. For low-side application, connect the LED cathode terminal to the IN terminal. For high-side application, connect V _{IN} to the IN terminal. |
| R _{SET} | 2 | 3 | LED Current Setting Pin. For low-side application, connect a resistor from this pin to GND. For high-side application, connect a resistor in between the R _{SET} and OUT terminal. LED current is determined by this equation: $I_{LED} = 750/R_{SET}$ |
| OUT | 3 | 2 | LED Current Output Terminal Current flows OUT of this pin. For low-side application, connect the OUT terminal to GND. For high-side application, connect the LED anode terminal to the OUT terminal. |

Functional Block Diagram

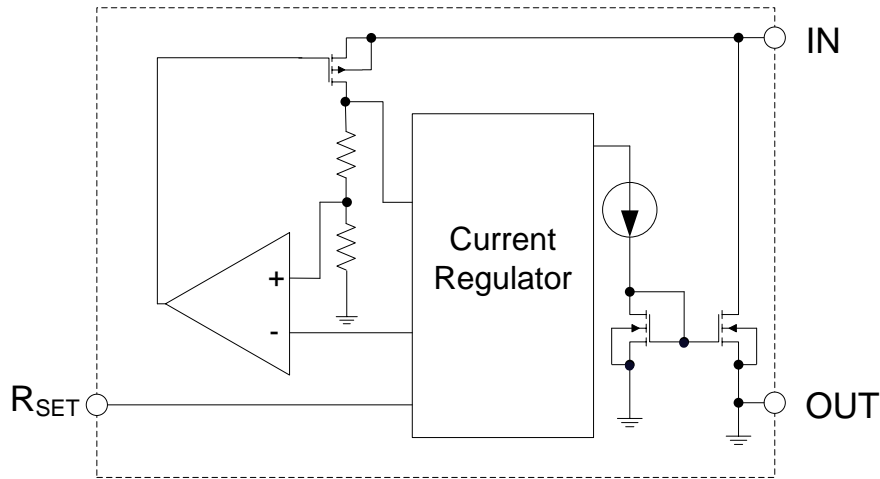


Figure 3. Functional Block Diagram

Absolute Maximum Ratings (@T_A = +25°C, unless otherwise specified.)

| Symbol | Parameters | Ratings | Unit |
|--------------------|--|-------------|------|
| V _{INOUT} | IN Pin Voltage Relative to OUT pin | -0.3 to +66 | V |
| V _{RSET} | R _{SET} Pin Voltage Relative to OUT pin | -0.3 to +6 | V |
| I _{INOUT} | LED Current from IN to OUT | 250 | mA |
| ESD HBM | Human Body Model ESD Protection | 4,000 | V |
| ESD CDM | Charged Device Model ESD Protection | 1,000 | V |
| T _J | Operating Junction Temperature | -40 to +150 | °C |
| T _{ST} | Storage Temperature | -55 to +150 | °C |

Caution: Stresses greater than the 'Absolute Maximum Ratings' specified above, may cause permanent damage to the device. These are stress ratings only; functional operation of the device at these or any other conditions exceeding those indicated in this specification is not implied. Device reliability may be affected by exposure to absolute maximum rating conditions for extended periods of time. Semiconductor devices are ESD sensitive and may be damaged by exposure to ESD events. Suitable ESD precautions should be taken when handling and transporting these devices.

Package Thermal Data

| Package | θ_{JC} Thermal Resistance Junction-to-Case | θ_{JA} Thermal Resistance Junction-to-Ambient | P _D T _A = +25°C, T _J = +150°C |
|---------------|---|--|---|
| W-DFN2020-3 | 10.76°C/W | 61.66°C/W (Note 4) | 2W |
| TO-252 (DPAK) | 2.81°C/W | 31.46°C/W (Note 4) | 3.85W |

Note: 4. Test condition: Device mounted on FR-4 PCB (51mm x 51mm 2oz copper, minimum recommended pad layout on top layer and thermal vias to bottom layer with maximum area ground plane. For better thermal performance, larger copper pad for heat-sink is needed

Recommended Operating Conditions (@ $T_A = +25^\circ\text{C}$, unless otherwise specified.)

| Symbol | Parameter | Min | Max | Unit |
|-----------------------|---|-----|------|------------------|
| V_{INOUT} | IN Voltage Range Relative to OUT Pin | 2.5 | 60 | V |
| I_{INOUT} | LED Current (Notes 5 & 6) | 1 | 200 | mA |
| $t_{\text{PWM(ON)}}$ | PWM Pulse Width in Dimming Mode On-time | 500 | — | μS |
| $t_{\text{PWM(OFF)}}$ | PWM Pulse Width in Dimming Mode off-time | 500 | — | μS |
| T_J | Operating Junction Temperature Range (Note 8) | -40 | +150 | $^\circ\text{C}$ |
| T_A | Operating Ambient Temperature Range AEC-Q100 Grade 2 (Note 8) | -40 | +105 | $^\circ\text{C}$ |

Electrical Characteristics (@ $T_A = +25^\circ\text{C}$, $V_{\text{INOUT}} = 3.5\text{V}$ (Note 7), $R_{\text{SET}} = 7.5\text{k}\Omega$ unless otherwise specified.)

| Symbol | Parameter | Conditions | Min | Typ | Max | Unit | |
|--------------------------------------|---|---|---|-----|-----|------|------------------|
| V_{INOUT} | In-Out Supply Voltage | $I_{\text{OUT}} \geq 100\text{mA}$ (Note 9) | $T_A = -40^\circ\text{C}$ to $+105^\circ\text{C}$ | 2.5 | - | 60 | V |
| | | $I_{\text{OUT}} < 100\text{mA}$ (Note 9) | | 2.0 | - | 60 | V |
| V_{RSET} | R_{SET} Voltage | — | $T_A = -40^\circ\text{C}$ to $+105^\circ\text{C}$ | — | 0.5 | — | V |
| I_{INOUT} | I_{INOUT} Current Accuracy | $R_{\text{SET}} = 3.75\text{k}\Omega$ | $T_A = +25^\circ\text{C}$ | 186 | 200 | 222 | mA |
| | | $R_{\text{SET}} = 5\text{k}\Omega$ | | 141 | 150 | 163 | |
| | | $R_{\text{SET}} = 7.5\text{k}\Omega$ | | 95 | 100 | 105 | |
| | | $R_{\text{SET}} = 7.5\text{k}\Omega$ | $T_A = -40^\circ\text{C}$ to $+105^\circ\text{C}$ | 92 | 100 | 108 | |
| | | $R_{\text{SET}} = 15\text{k}\Omega$ | | 43 | 50 | 56 | |
| | | $R_{\text{SET}} = 75\text{k}\Omega$ | | 6 | 10 | 14 | |
| $R_{\text{SET}} = 150\text{k}\Omega$ | 3 | 5 | 7 | | | | |
| I_{TEMCO} | Temperature Coefficient of Current Accuracy | $I_{\text{OUT}} = 100\text{mA}$ | $T_A = -40^\circ\text{C}$ to $+105^\circ\text{C}$ | — | 1 | — | % |
| I_{LINE} | I_{INOUT} Current Line Regulation | $V_{\text{IN}} = 3.5\text{V}$ to 60V (Note 8) | $T_A = +25^\circ\text{C}$ | — | 1 | — | % |
| I_{CC} | IN Pin Operating Current | $V_{\text{IN}} = 60\text{V}$ $R_{\text{SET}} = 1\text{M}\Omega$ | $T_A = -40^\circ\text{C}$ to $+105^\circ\text{C}$ | 300 | 685 | 1000 | μA |
| V_{MIN} | Minimum Power Up Voltage | Increase V_{INOUT} (Note 10) | $T_A = -40^\circ\text{C}$ to $+105^\circ\text{C}$ | 1 | 1.5 | 2 | V |
| $t_{\text{ON_MIN}}$ | Minimum On Pulse Width for PWM Dimming | PWM Dimming with External MOSFET Connected to R_{SET} . See PWM Dimming Section. (Notes 11 & 12) | — | 500 | — | — | μS |
| $t_{\text{OFF_MIN}}$ | Minimum Off Pulse Width for PWM Dimming | PWM Dimming with External MOSFET Connected to R_{SET} . See PWM Dimming Section. (Notes 11 & 12) | — | 500 | — | — | μS |
| T_{SHDN} | Thermal Shutdown | Junction Temperature (Note 13) | — | — | 165 | — | $^\circ\text{C}$ |
| T_{HYS} | Thermal Shutdown Hysteresis | — | — | — | 30 | — | $^\circ\text{C}$ |

- Note:
- For improved accuracy LED current should be greater than 60mA.
 - Maximum LED current is also limited by ambient temperature and power dissipation such that junction temperature should be kept less than or equal to $+150^\circ\text{C}$.
 - All voltages unless otherwise stated are measured with respect to OUT pin.
 - Measured by the percentage of LED current variation when V_{INOUT} varies from 3.5V to 60V.
 - Subject to maximum junction temperature of $+150^\circ\text{C}$ not being exceeded. The Maximum ambient temperature range is limited by device power dissipation; such that its junction temperature should be kept less than or equal to $+150^\circ\text{C}$. See Page 3 for more information on power dissipation. Devices have been qualified to AEC-Q100 Grade 2.
 - Apply the power linearly to the chip until the device starts to turn on.
 - $t_{\text{ON_MIN}}$ time includes the delay and the rise time needed for I_{OUT} to reach 90% of its final value. $t_{\text{OFF_MIN}}$ time is the time needed for I_{OUT} to drop below 10% of its final value.
 - This parameter only guaranteed by design, not tested in production.
 - Ambient temperature at which OTP is triggered may vary depending on application, PCB layout and material used.

Typical Performance Characteristics – (DFN2020-3 100mA, 150mA, 200mA Settings)

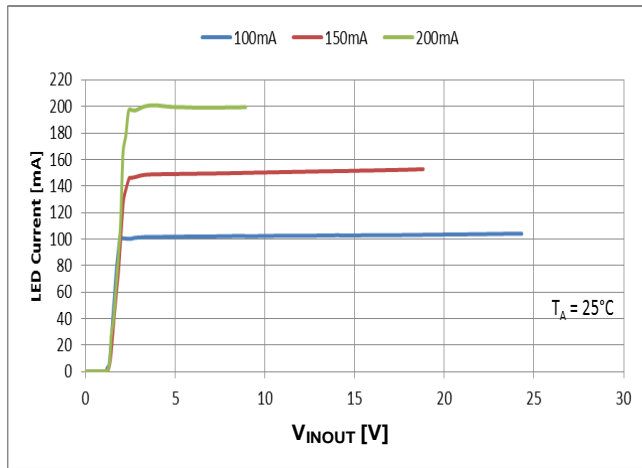


Figure 4. LED Current vs. V_{INOUT}

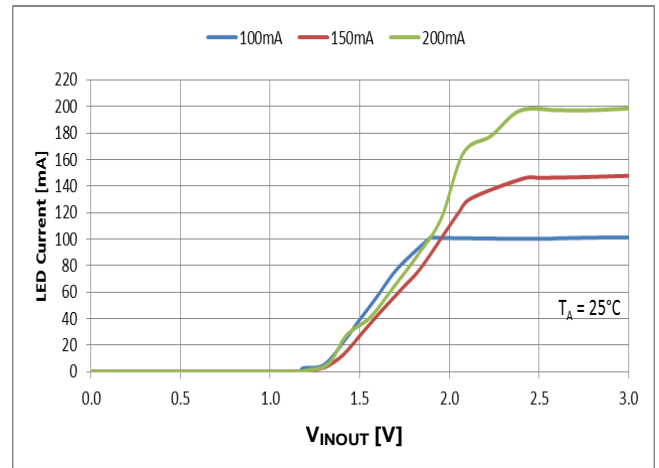


Figure 5. Startup Minimum Operating Voltage

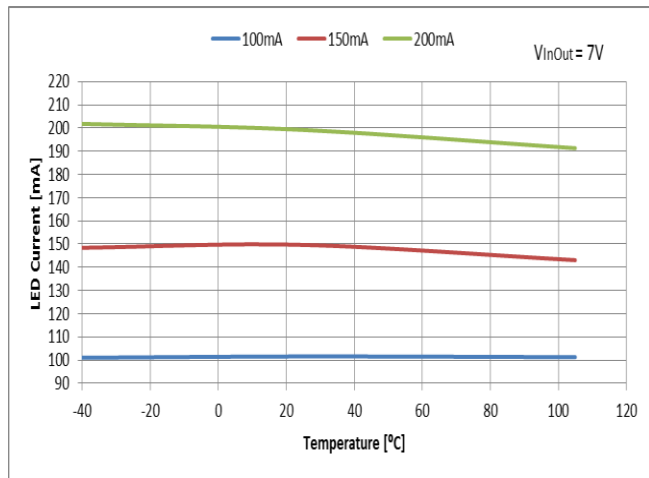


Figure 6. LED Current vs. Ambient Temperature

Typical Performance Characteristics – (TO-252 150mA, 200mA, 250mA (Note 14) Settings)

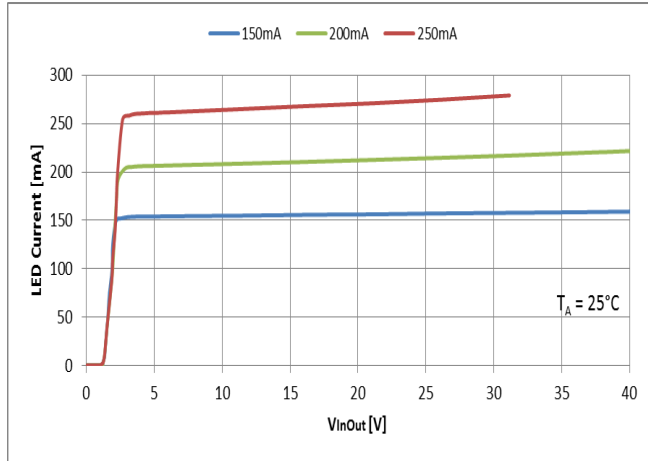


Figure 7. LED Current vs. V_{INOUT}

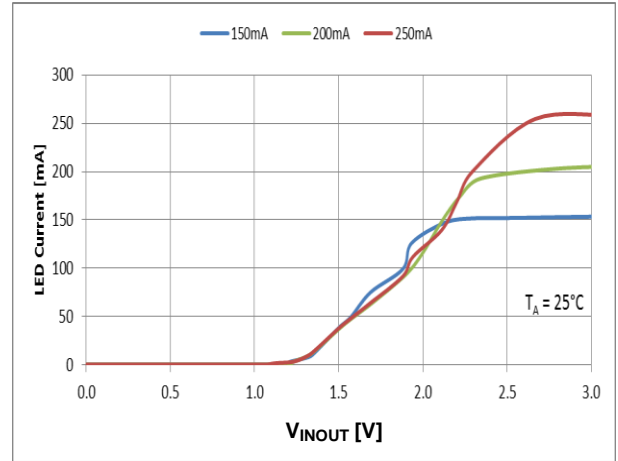


Figure 8. Startup Minimum Operating Voltage

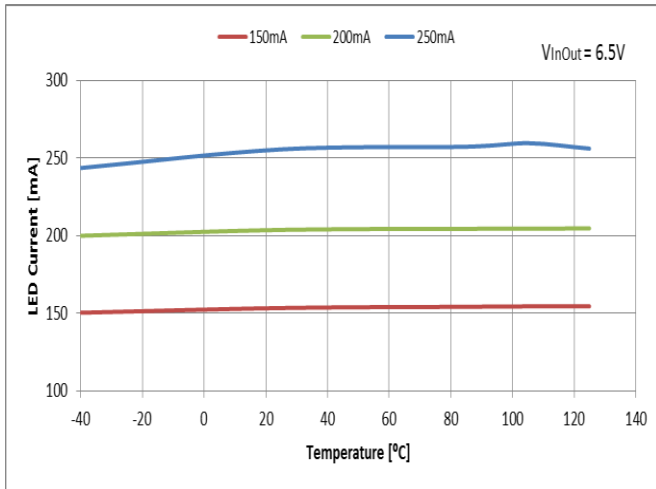


Figure 9. LED Current vs. Ambient Temperature

Note: 14. 250mA data are for reference only, not guaranteed by design and not tested in production.

Application Information

Description

The AL5810 is a linear LED driver and regulates the LED current by sinking current into the IN pin. The AL5810 can support up to 200mA LED current, with ±3% accuracy @25°C. The LED current is set by an external resistor, R_{SET}, connected from the R_{SET} pin to the OUT pin. This resistor supplies the bias current of the AL5810 together with current regulator to set the LED current.

The LED current is determined by this equation:

$$I_{LED} = 1500 * \frac{0.5}{R_{SET}} \quad \text{where 1500 is the current ratio between the IN pin current and } R_{SET} \text{ pin current.}$$

With R_{SET} = 15k

$$I_{LED} = 1500 * \frac{0.5}{15k} = 50mA$$

The AL5810, with its 60V capability on the IN pin, allows supply rails up to 60V directly driving LED chains as shown in Figures 10 and 11.

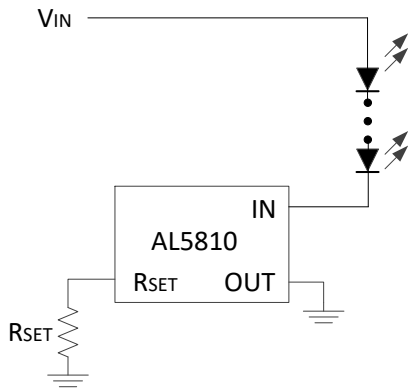


Figure 10. Low-Side Configuration

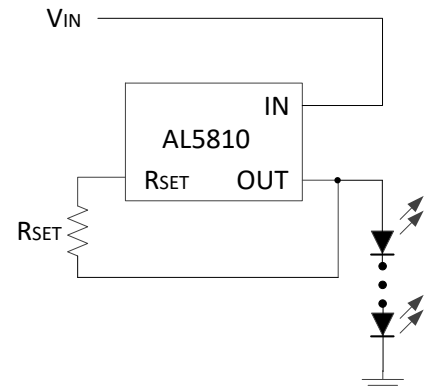
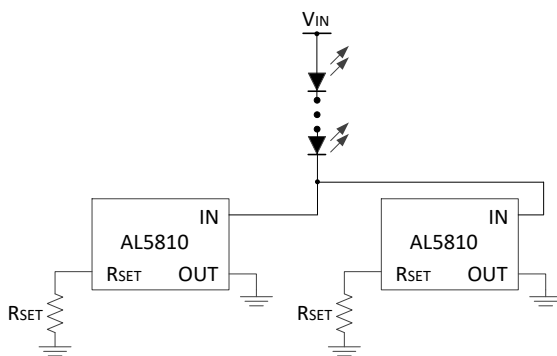
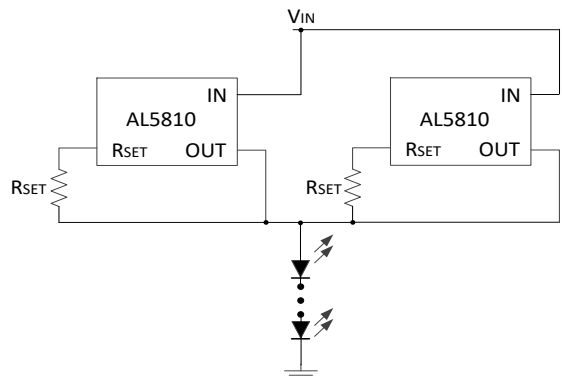


Figure 11. High-Side Configuration

The LED current can be increased by connecting two or more AL5810 in parallel shown in Figure 12.



(a) Low-Side Parallel Configuration



(b) High-Side Parallel Configuration

Figure 12. Higher LED Current by Parallel Configuration of AL5810

Application Information (cont.)

PWM Dimming

The AL5810 can be used to provide LED current dimming by driving the R_{SET} pin via the current setting resistor (R_{SET}) and a series MOSFET switch to ground (Figure 13). The R_{SET} pin current is then effectively switched on and off causing the LED current to turn on and off. The linearity is shown in Figure 14.

Test conditions (Figure 14): Vin = 6V, 1 LED low side configuration, Rset = 7.5kΩ, ILED = 100mA, N-Channel MOSFET (P/N: BC817-16Q-7-F), PWM frequency 200Hz–500Hz Square wave, 0-4V gate voltage

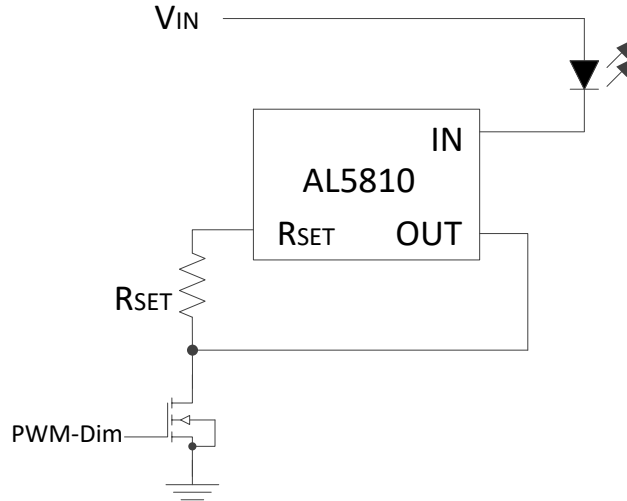


Figure 13. PWM Dimming by External MOSFET



Figure 14. PWM Dimming Linearity

Application Information (cont.)

Recommended PWM Frequency and Dimming Range

| PWM Frequency (Hz) | Duty Cycle (%) | |
|--------------------|----------------|-----|
| | Min | Max |
| 200 | 10 | 90 |
| 500 | 25 | 75 |

Use the following formula to calculate the Min and Max duty cycle:

Min. Duty cycle (%) = $t_{ON_MIN} / (\text{time period of the PWM signal})$

Max. Duty cycle (%) = $100\% - (t_{OFF_MIN} / (\text{time period of the PWM signal}))$

Notes: $t_{ON_MIN} = 500\mu\text{S}$ (Min. value), and $t_{OFF_MIN} = 500\mu\text{S}$ (Min. value) are listed in the Electrical Characteristics table on page 4.

Thermal Considerations

When designing linear LED drivers careful consideration must be given to the power dissipation within the LED driver and PCB layout / heat sinking. A Linear LED driver has to be able to handle the large potential input voltage variations due to the supply voltage tolerance and also the variation in LED forward voltage due to binning and temperature. This can cause a large potential difference across the LED driver resulting in a larger than anticipated power dissipation.

In automotive applications when the engine is running, the typical input voltage range varies from 13.5-14.7V.

The recommended minimum V_{INOUT} voltage of 2.5V enables the AL5810 to drive 2 LED in series from the 12V battery voltage (assuming $V_{LED} < 3.25\text{V}$).

The AL5810's power dissipation under these conditions will be:

$$V_{INOUT} * I_{LED} = 2.5 * I_{LED}$$

So for the 100mA AL5810 under these conditions this equals:

$$2.5\text{V} * 100\text{mA} = 250\text{mW}$$

Under maximum input conditions (14.7V), $V_{INOUT} = 14.7\text{V} - 6.5\text{V}$ (2 LEDs Voltage) the AL5810's power dissipation will be:

$$V_{INOUT} * I_{LED} = 8.2 * I_{LED}$$

So for the 100mA AL5810 this equals:

$$8.2\text{V} * 100\text{mA} = 820\text{mW}$$

Figure 15 shows the AL5810's power dissipation capability, which varies with PCB size and area of metal associated with the ground plane used for heat sinking. By increasing the area on the top layer, the thermal impedance could be improved.

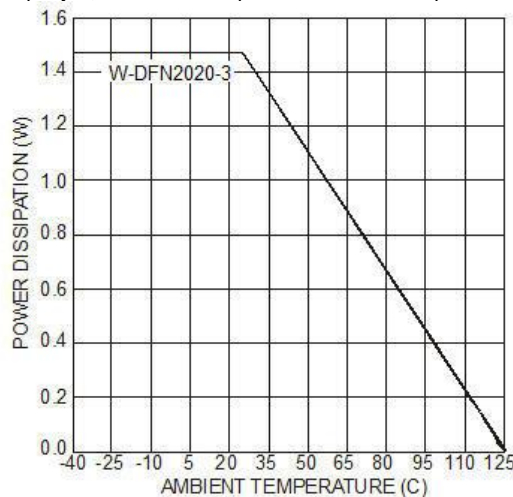
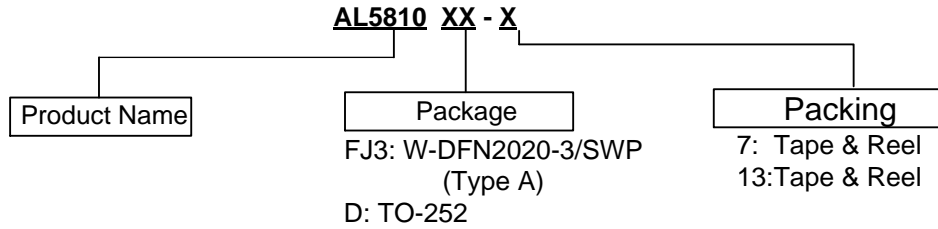


Figure 15. Power Dissipation Derating

Ordering Information (Note 15)



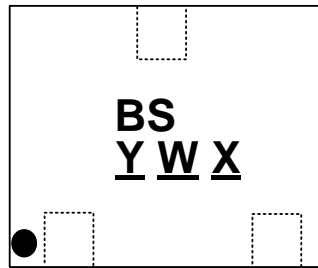
| Device | Package Code | Packaging | Tape and Reel | |
|-------------|--------------|-----------------------------|------------------|--------------------|
| | | | Quantity | Part Number Suffix |
| AL5810FJ3-7 | FJ3 | W-DFN2020-3/SWP (Type A) | 3000/Tape & Reel | -7 |
| AL5810D-13 | D | TO-252 (DPAK) | 2500/Tape & Reel | -13 |

Note: 15. For packaging details, go to our website at <https://www.diodes.com/design/support/packaging/diodes-packaging/>.

Marking Information

Package: W-DFN2020-3/SWP (Type A)

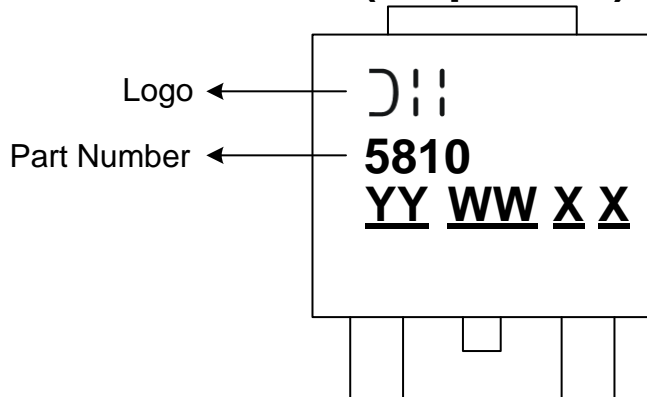
(Top View)



BS : Identification Code
 Y : Year: 0~9
 W : Week: A~Z: 1~26 Week;
 a~z; 27~52 Week; z Represents
 52 and 53 Week
 X : Internal Code

Package: TO-252 (DPAK)

(Top View)

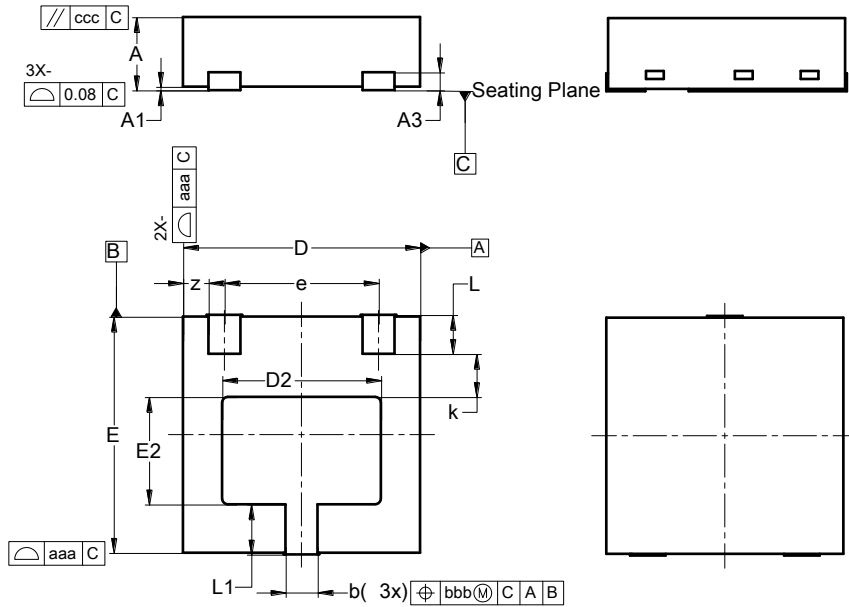


YY : Year : 19 to 20
WW : Week : 01 to 52, 52 represents
 week #52
XX : Internal Code

Package Outline Dimensions (All dimensions in mm.)

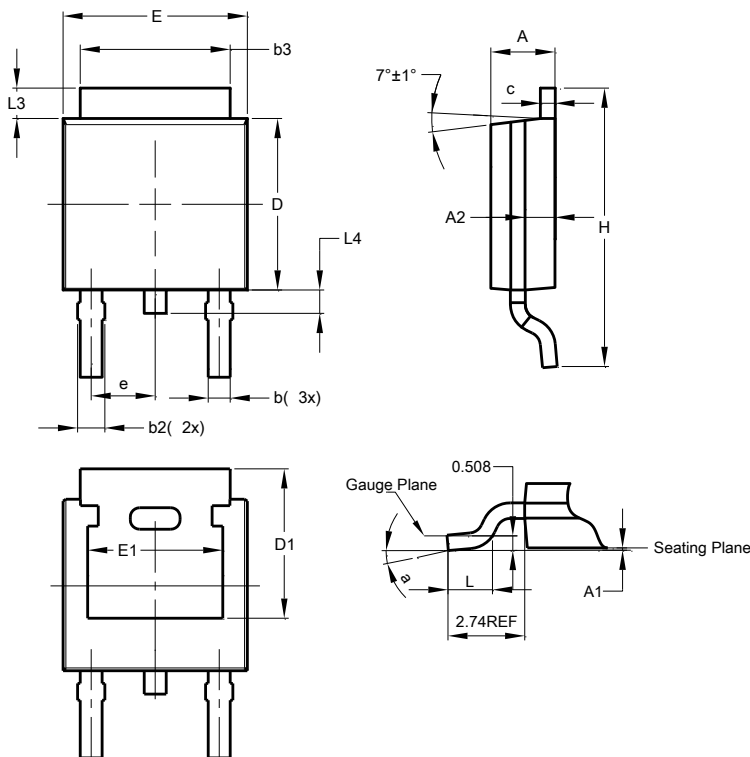
Please see <https://www.diodes.com/package-outlines.html> for latest version.

Package W-DFN2020-3/SWP (Type A)



| W-DFN2020-3 /SWP (Type A) | | | |
|------------------------------|-------|-------|-------|
| Dim | Min | Max | Typ |
| A | 0.57 | 0.67 | 0.62 |
| A1 | 0.00 | 0.05 | 0.03 |
| A3 | 0.100 | -- | 0.152 |
| b | 0.22 | 0.32 | 0.27 |
| D | 1.95 | 2.05 | 2.00 |
| D2 | 1.24 | 1.44 | 1.34 |
| E | 1.95 | 2.05 | 2.00 |
| E2 | 0.81 | 1.01 | 0.91 |
| e | -- | -- | 1.30 |
| k | -- | -- | 0.365 |
| L | 0.28 | 0.38 | 0.33 |
| L1 | 0.375 | 0.475 | 0.425 |
| z | -- | -- | 0.215 |
| aaa | 0.25 | | |
| bbb | 0.10 | | |
| ccc | 0.10 | | |
| All Dimensions in mm | | | |

Package TO-252 (DPAK)

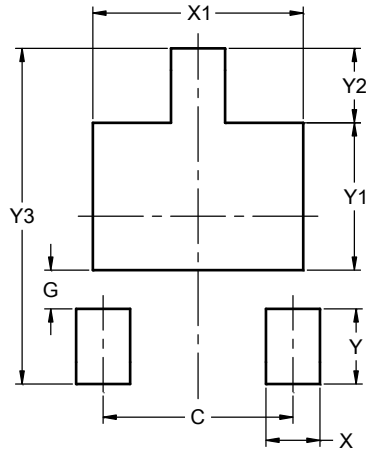


| TO252 (DPAK) | | | |
|----------------------|-----------|-------|-------|
| Dim | Min | Max | Typ |
| A | 2.19 | 2.39 | 2.29 |
| A1 | 0.00 | 0.13 | 0.08 |
| A2 | 0.97 | 1.17 | 1.07 |
| b | 0.64 | 0.88 | 0.783 |
| b2 | 0.76 | 1.14 | 0.95 |
| b3 | 5.21 | 5.50 | 5.33 |
| c | 0.45 | 0.58 | 0.531 |
| D | 6.00 | 6.20 | 6.10 |
| D1 | 5.21 | -- | -- |
| e | 2.286 BSC | | |
| E | 6.45 | 6.70 | 6.58 |
| E1 | 4.32 | -- | -- |
| H | 9.40 | 10.41 | 9.91 |
| L | 1.40 | 1.78 | 1.59 |
| L3 | 0.88 | 1.27 | 1.08 |
| L4 | 0.64 | 1.02 | 0.83 |
| a | 0° | 10° | -- |
| All Dimensions in mm | | | |

Suggested Pad Layout

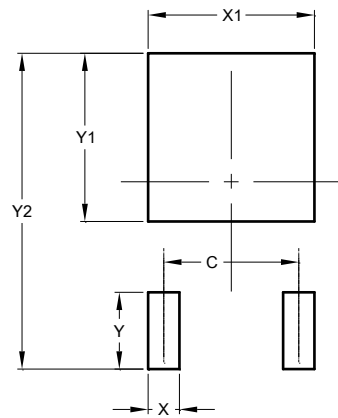
Please see <https://www.diodes.com/package-outlines.html> for latest version.

Package: W-DFN2020-3/SWP (Type A)



| Dimensions | Value (in mm) |
|------------|---------------|
| C | 1.300 |
| G | 0.265 |
| X | 0.370 |
| X1 | 1.440 |
| Y | 0.515 |
| Y1 | 1.010 |
| Y2 | 0.510 |
| Y3 | 2.300 |

Package TO-252 (DPAK)



| Dimensions | Value (in mm) |
|------------|---------------|
| C | 4.572 |
| X | 1.060 |
| X1 | 5.632 |
| Y | 2.600 |
| Y1 | 5.700 |
| Y2 | 10.700 |

Mechanical Data

Package W-DFN2020-3/SWP (Type A)

- Moisture Sensitivity: MSL Level 1 per J-STD-020
- Terminals: Finish - Matte Tin Plated Leads, Solderable per JESD22-B102
- Weight: 0.0071 grams (Approximate)

Package TO-252 (DPAK)

- Moisture Sensitivity: MSL Level 1 per J-STD-020
- Terminals: Finish - Matte Tin Plated Leads, Solderable per JESD22-B102
- Weight: 0.33 grams (Approximate)