

## Description

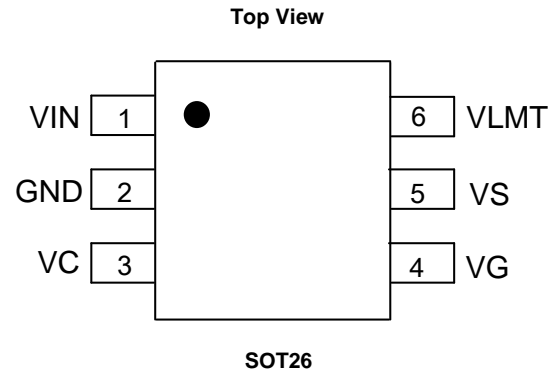
The AL5822 is a 100Hz/120Hz LED current ripple suppressor for LED lighting applications. Combined with a pre-stage APFC LED driver, the AL5822 circuitry can efficiently suppress the low frequency (100Hz/120Hz) LED current ripple from the APFC output, thus eliminate the low frequency flickering for various LED lamps.

The AL5822 adopts high efficiency driving mechanism. It can automatically adapt to different LED chains' voltage and current, to eliminate the LED current ripple, meanwhile minimize the power consumption on the Power MOSFET.

The AL5822 has built-in protections, such as Over-Temperature-Protection (OTP), Over-Current-Protection (OCP) and LED Short-Circuit Protection (SCP).

The AL5822 is available in the SOT26 package.

## Pin Assignments



## Features

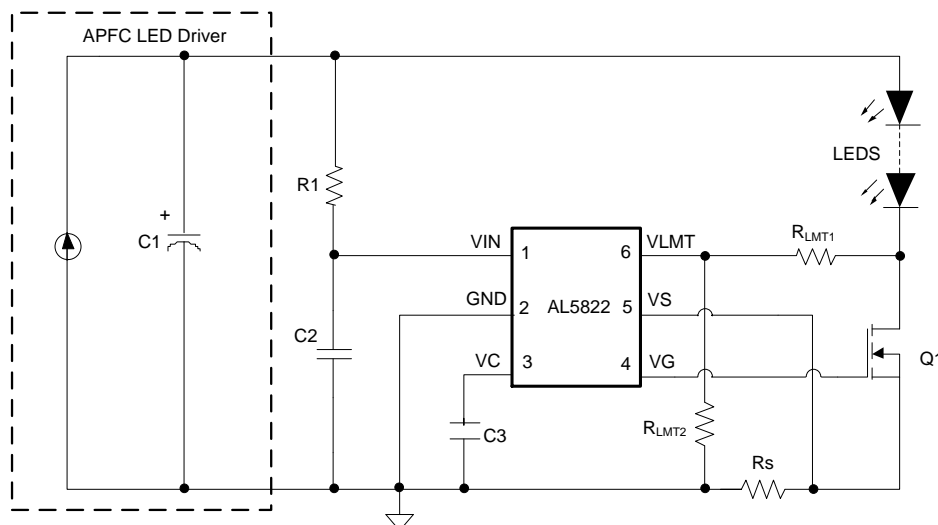
- High Efficiency
- Support Various Kinds of APFC Pre-Stage Circuit
- Simplified External Bill of Materials (BOM)
- No Need for Magnetic Components
- Wide Output Voltage and Current Range
- Tuneable LED Current Ripple Ratio
- Flickering Free
- Built-In LED Short-Circuit Protection (SCP)
- Built-In Over-Current Protection (OCP)
- Built-In Over-Temperature Protection (OTP)
- SOT26 Package
- **Totally Lead-Free & Fully RoHS Compliant (Notes 1 & 2)**
- **Halogen and Antimony Free. "Green" Device (Note 3)**

## Applications

- General LED Lamps
- LED Power Modules

- Notes:
1. No purposely added lead. Fully EU Directive 2002/95/EC (RoHS), 2011/65/EU (RoHS 2) & 2015/863/EU (RoHS 3) compliant.
  2. See <https://www.diodes.com/quality/lead-free/> for more information about Diodes Incorporated's definitions of Halogen- and Antimony-free, "Green" and Lead-free.
  3. Halogen- and Antimony-free "Green" products are defined as those which contain <900ppm bromine, <900ppm chlorine (<1500ppm total Br + Cl) and <1000ppm antimony compounds.

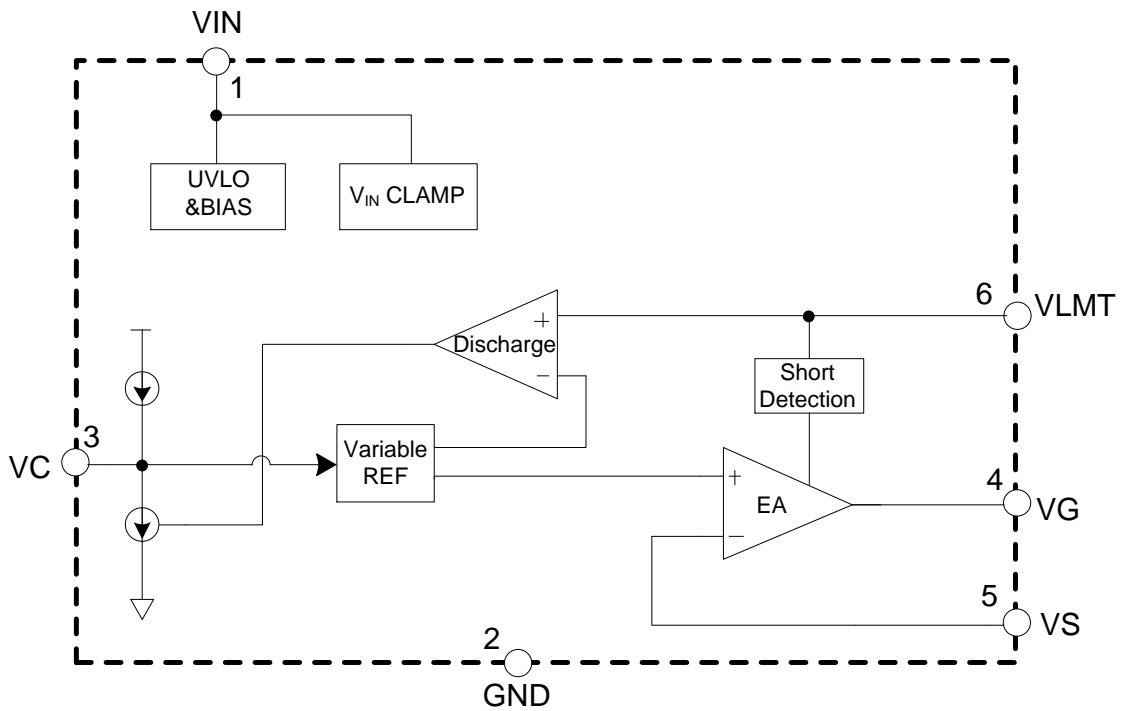
## Typical Applications Circuit



**Pin Descriptions**

Pin Number	Pin Name	Function
1	VIN	Supply for the IC
2	GND	Ground
3	VC	Compensation for the Control Loop
4	VG	Gate Driver for the External MOSFET
5	VS	Current Sensing
6	VLMT	Drain Voltage Limitation for the External MOSFET

**Functional Block Diagram**



### Absolute Maximum Ratings (@T<sub>A</sub> = +25°C, unless otherwise specified.)

Symbol	Parameters	Ratings	Unit
V <sub>IN</sub>	Clamp Voltage for VIN Pin	30	V
V <sub>S</sub>	Voltage on VS Pin	-0.3 to 6	V
V <sub>C</sub>	Voltage on VC Pin	-0.3 to 6	V
V <sub>VLMT</sub>	Voltage on VLMT Pin	-0.3 to 6	V
V <sub>G</sub>	Voltage on VG Pin	-0.3 to 20	V
T <sub>J</sub>	Operating Junction Temperature	-40 to +150	°C
T <sub>STG</sub>	Storage Temperature	-55 to +150	°C
T <sub>LEAD</sub>	Lead Temperature (Soldering, 10s)	+260	°C
P <sub>D</sub>	Power Dissipation (T <sub>A</sub> = +50°C) (Note 4)	0.41	W
θ <sub>JA</sub>	Thermal Resistance (Junction to Ambient, no Heatsink)	240	°C/W
θ <sub>JC</sub>	Thermal Resistance (Junction to Case)	60	°C/W
-	ESD (HBM)	±4,000	V
	ESD (CDM)	±1,000	V

Note: 4. Device mounted on 1"x1" FR-4 MRP substrate PC board, 2oz cooper, with minimum recommended pad layout. No thermal via and no ground plane.

Caution: Stresses greater than the 'Absolute Maximum Ratings' specified above, may cause permanent damage to the device. These are stress ratings only; functional operation of the device at these or any other conditions exceeding those indicated in this specification is not implied. Device reliability may be affected by exposure to absolute maximum rating conditions for extended periods of time. Semiconductor devices are ESD sensitive and may be damaged by exposure to ESD events. Suitable ESD precautions should be taken when handling and transporting these devices.

### Recommended Operating Conditions (@T<sub>A</sub> = +25°C, unless otherwise specified.) (Note 5)

Symbol	Parameter	Min	Max	Unit
T <sub>A</sub>	Operating Ambient Temperature Range	-40	+105	°C
V <sub>IN</sub>	Operating V <sub>CC</sub> Voltage	11	V <sub>IN_CLAMP(MIN)</sub>	V

Note: 5. The device may operate normally at +125°C ambient temperature under the condition not triggers temperature protection.

**Electrical Characteristics** (@T<sub>A</sub> = +25°C, V<sub>IN</sub> = 12V, unless otherwise specified.) (Note 6)

Symbol	Parameter	Conditions	Min	Typ	Max	Unit
<b>UVLO</b>						
V <sub>TH(ST)</sub>	Startup Voltage of VIN Pin	–	–	14.5	–	V
V <sub>OPR(MIN)</sub>	Minimal Operating Voltage	After Turn On	–	8.5	–	V
V <sub>IN_CLAMP</sub>	VIN Clamp Voltage	I <sub>VIN</sub> =1mA	–	27	–	V
<b>Operation Current</b>						
I <sub>ST</sub>	V <sub>IN</sub> = V <sub>TH(ST)_MIN</sub> -0.5V	–	–	100	–	μA
I <sub>IN (OPR)</sub>	VIN Operation Current	–	–	220	–	μA
<b>VG</b>						
V <sub>VG</sub>	Maximum VG Output Voltage	–	–	8	–	V
<b>VLMT</b>						
V <sub>VLMT</sub>	VLMT Reference Voltage	–	1.9	2	2.1	V
<b>VD</b>						
V <sub>D_SHORT</sub>	LED Short Circuit Protection Threshold Voltage for Drain of the External MOSFET	R <sub>LMT1</sub> =R <sub>LMT2</sub> =100kΩ, LED String Short	–	8	–	V
<b>Timing</b>						
t <sub>SHT_DELAY</sub>	LED Short Circuit Protection Delay	–	–	70	–	μs
t <sub>SHT_HOLD</sub>	LED Short Circuit Protection Holding Time	–	–	40	–	ms
<b>Thermal Protection</b>						
T <sub>SHDN_HYS</sub>	–	–	–	+40	–	°C
T <sub>SHDN</sub>	Thermal Shutdown (LED1)	–	–	+165	–	°C

Note: 6. All voltages unless otherwise stated are measured with respect to GND pin.

**Typical Performance Characteristics**

Figure 1. V<sub>CC</sub> Startup Current vs. T<sub>A</sub>

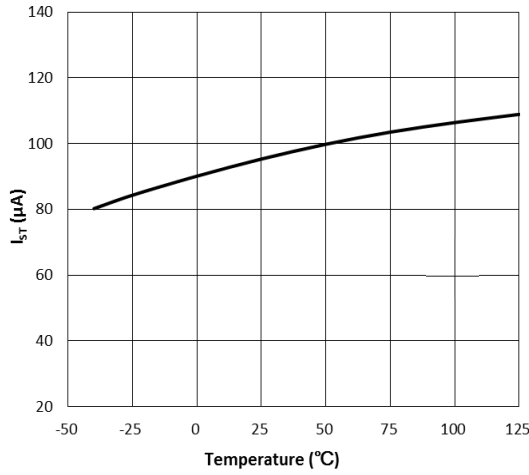


Figure 2. V<sub>CC</sub> Startup Voltage vs. T<sub>A</sub>

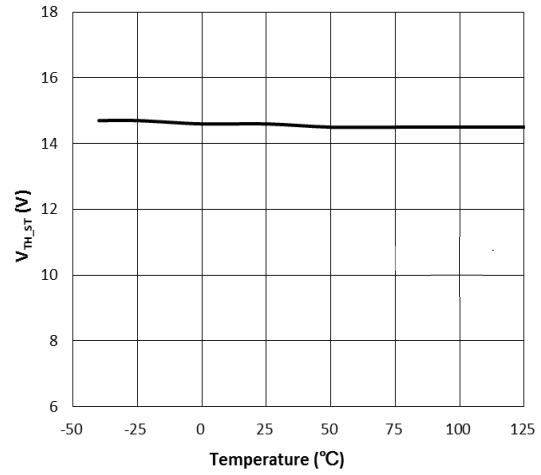


Figure 3. Operating Current vs. T<sub>A</sub>

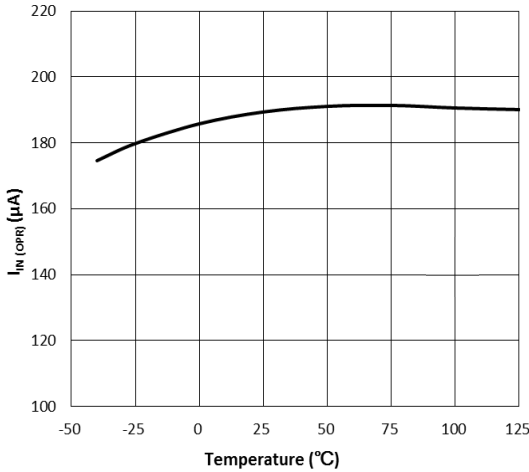


Figure 4. Maximum Gate Voltage vs. T<sub>A</sub>

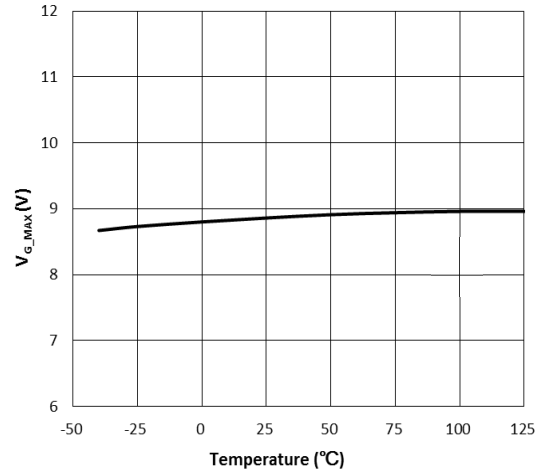


Figure 5. V<sub>CC</sub> Clamp Voltage vs. T<sub>A</sub>

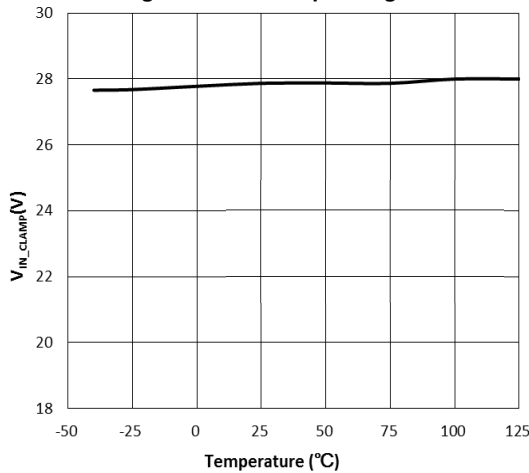
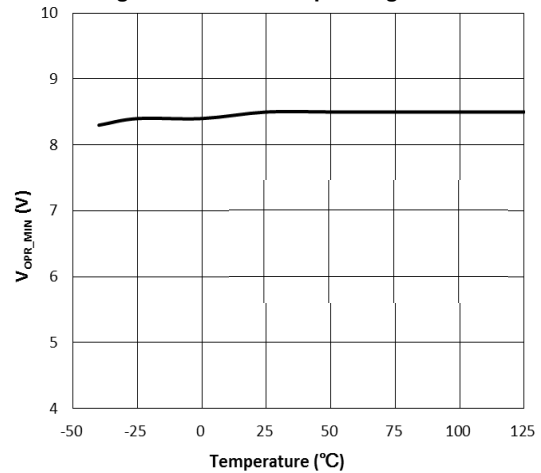


Figure 6. Minimum Operating V<sub>CC</sub> vs. T<sub>A</sub>



NEW PRODUCT

## Functional Descriptions

### General

The AL5822 is a 100Hz/120Hz LED current ripple suppressor for LED lighting applications. Combined with a pre-stage APFC LED driver, the AL5822 circuitry can efficiently suppress the low frequency (100Hz/120Hz) LED current ripple from the APFC output, thus eliminate the low frequency flickering for various LED lamps.

### Operation Principle

The AL5822 drives an external MOSFET, the LED ripple voltage will be applied to the MOSFET drain to source voltage, thus the LED chain's voltage will be maintain constant without the voltage ripple, in this way, the LED current ripple will be removed. AL5822 will automatically adjust the LED chain cathode voltage to minimum to improve the system efficiency.

### Ripple Suppressor

The AL5822 senses the LED current through the  $R_S$  resistor, CC capacitor is a loop compensation capacitor on VC pin. The AL5822 transfers the voltage on CC capacitor to an internal reference voltage; the current control loop adjusts  $R_S$  voltage to be equal to reference voltage. The relationship between CC capacitor voltage and  $R_S$  is shown below:

$$V_{R_S} = I_{LED} * R_S = V_{VC} / 10$$

In order to remove the LED ripple current, the CC capacitance should be big enough, however, too big capacitance will lead to poor system dynamic response.

### Adaptive Adjustment

The AL5822 monitors the external MOSFET status to dynamically adjust the voltage on CC capacitor. When the MOSFET is working on the saturation region, the system efficiency will be low, the AL5822 detects this and charge CC capacitor, and then increase  $V_{VC}$  and  $I_{LED}$ , the gate driver voltage ( $V_G$ ) will decrease accordingly, thus the Drain to Source voltage of the MOSFET will decrease.

On the contrary, if the MOSFET is working on the linear region, the LED current control will be an open loop control. The AL5822 will discharge the CC capacitor to decrease  $V_{VC}$  and  $I_{LED}$ , then the  $V_G$  voltage will increase, accordingly, the Drain to Source voltage of the MOSFET will increase.

When in balance, the AL5822 controls the Drain to Source voltage to a certain level to suppress the LED current ripple in an efficient way.

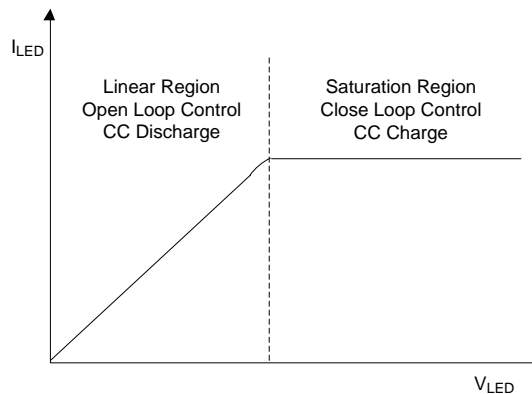


Figure 7. AL5822 Operating Control

### MOSFET Drain Voltage Limitation

If the pre-stage output voltage ripple is very large, the external MOSFET Drain to Source voltage will be possibly large accordingly.

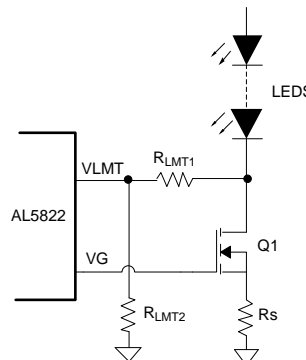


Figure 8. Pin VLMT

**Functional Descriptions (Cont.)**

**Over Current Protection (OCP)**

VS pin voltage will be limited to 0.2V (internal the IC), so the LED current will be limited at  $0.2V/R_S$ . When LED short or hot-plug, the current limit can protect the IC and MOSFET from a damage of over current. The internal current limit is prior to over-voltage protection, which means the limit of MOSFET drain voltage will not work if there's LED over current condition.

**Short Circuit Protection (SCP)**

The AL5822 monitors the external MOSFET drain voltage, if the drain voltage exceeds  $V_{D\_SHORT}$  and this voltage keeps there for more than  $t_{SHT\_DELAY}$ , the IC will enter short circuit protection. When short circuit protection, the IC will turn off the external MOSFET for  $t_{SHT\_HOLD}$  period, after that, the IC will reset the SCP status and re-check the drain voltage, following the next protection cycle. The  $V_{D\_SHORT}$  voltage is set as:

$$V_{D\_SHORT} = 2V \times (R_{LMT1} / R_{LMT2} + 1) + 40\mu A \times R_{LMT1}$$

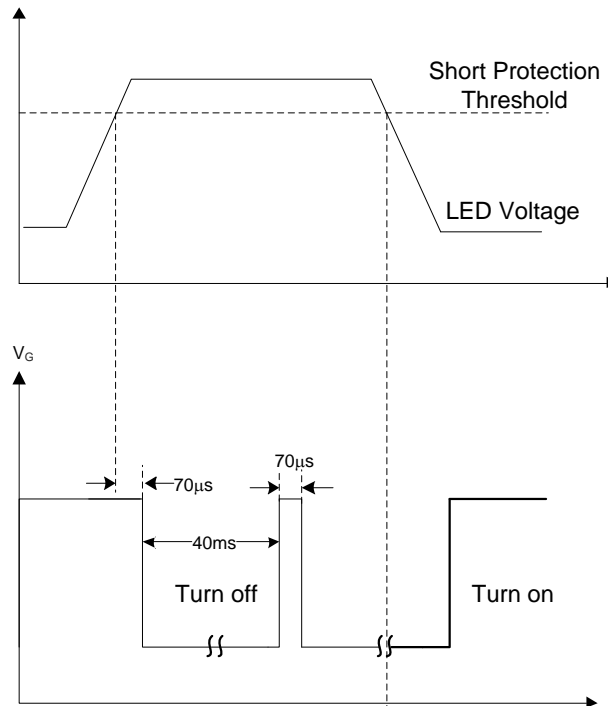
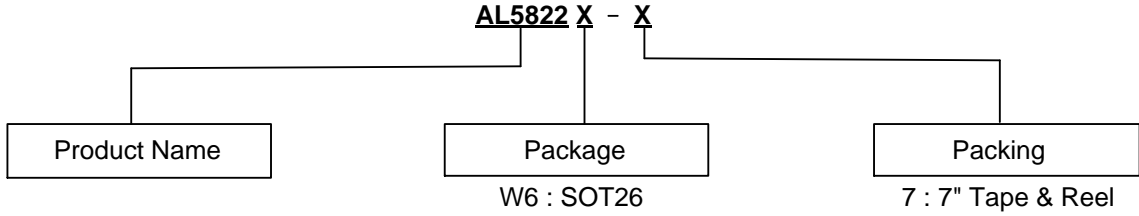


Figure 9. SCP Waveform

NEW PRODUCT

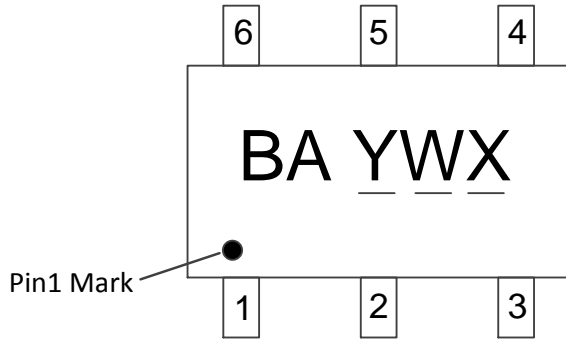
**Ordering Information**



Part Number	Package Code	Package	7" Tape and Reel	
			Quantity	Part Number Suffix
AL5822W6-7	W6	SOT26	3000/Tape & Reel	-7

**Marking Information**

SOT26



- BA: Identification Code
- Y: Year 0 to 9
- W: Week A to Z: 1 to 26 Week  
Week a to z: 27 to 52 Week  
z represents 52 and 53 Week
- X: Assembly Site Code

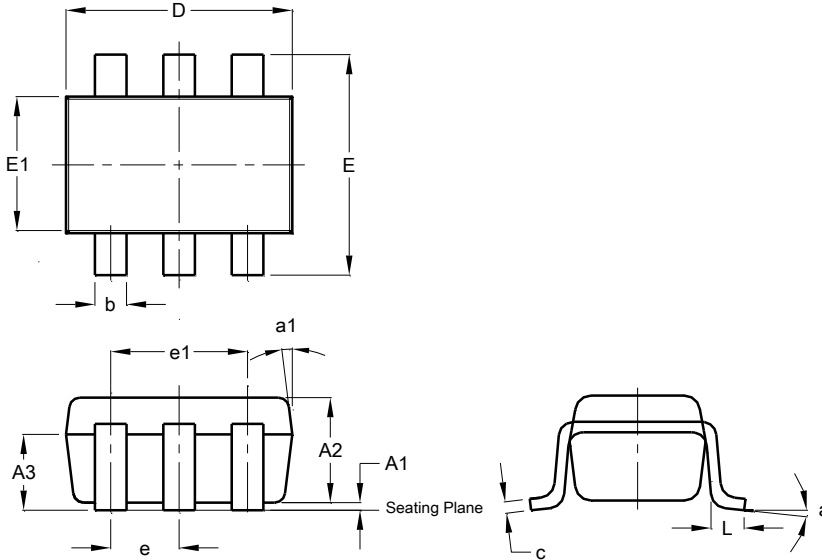
NEW PRODUCT



**Package Outline Dimensions** (All dimensions in mm (inch).)

Please see <http://www.diodes.com/package-outlines.html> for the latest version.

Package Type: SOT26

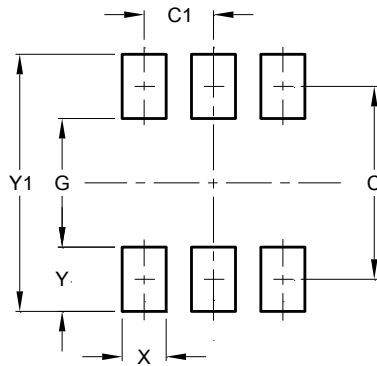


SOT26			
Dim	Min	Max	Typ
A1	0.013	0.10	0.05
A2	1.00	1.30	1.10
A3	0.70	0.80	0.75
b	0.35	0.50	0.38
c	0.10	0.20	0.15
D	2.90	3.10	3.00
e	-	-	0.95
e1	-	-	1.90
E	2.70	3.00	2.80
E1	1.50	1.70	1.60
L	0.35	0.55	0.40
a	-	-	8°
a1	-	-	7°
All Dimensions in mm			

**Suggested Pad Layout**

Please see <http://www.diodes.com/package-outlines.html> for the latest version.

Package Type: SOT26



Dimensions	Value (in mm)
C	2.40
C1	0.95
G	1.60
X	0.55
Y	0.80
Y1	3.20

NEW PRODUCT