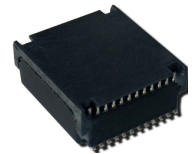


10G Base-T LAN Transformer

ALAN-516

RoHS/RoHS II Compliant



15.37 x 13.84 x 6.35mm

FEATURES:

- Compliant with IEEE802.3 standard
- Compatible with top 10Gig PHY ICs
- ROHS peak reflow temperature rating: 245C
- Low profile package designed for PCI Express
- 1500Vrms Hi-pot

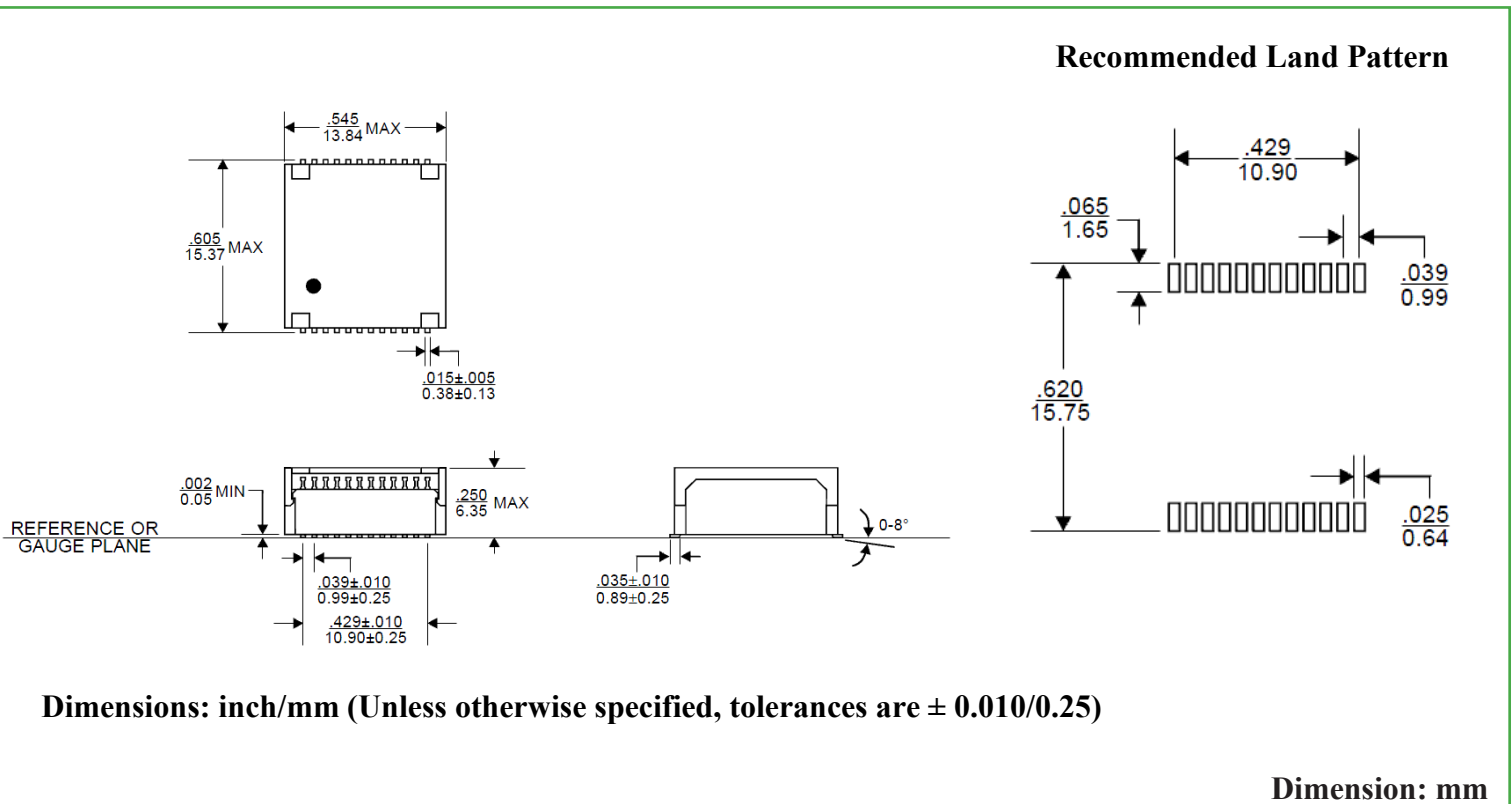
APPLICATIONS:

- 10 Gigabit Ethernet
- Hub, Router, Switch

STANDARD SPECIFICATIONS:

Parameters	Minimum	Typical	Maximum	Units	Notes
Operating Temperature	0		+70	°C	
Storage Temperature	-40		+85	°C	
Turn Ratio (±2%)		1CT: 1CT			Primary: Secondary
Inductance	100			uH	Primary@100KHz/0.1V
Insertion Loss		0.6	1.5	dB	1-500MHz
Return Loss	18			dB	1-40MHz
	17-10log(F/40)				40-500MHz
CM-DMRR	30			dB	1-250MHz
	22				250-500MHz
Crosstalk	40			dB	1-100MHz
	30				100-500MHz
High Pot	1500Vrms				Primary: Secondary
Polarity	Per Schematic				Primary: Secondary

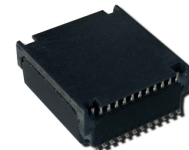
OUTLINE DIMENSIONS:



10G Base-T LAN Transformer

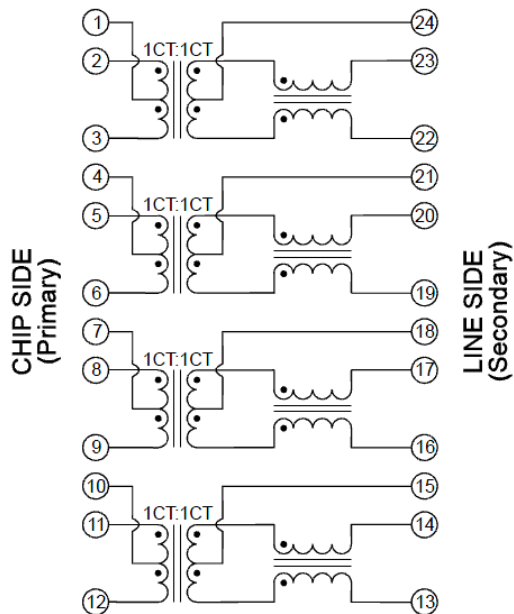
ALAN-516

RoHS/RoHS II Compliant

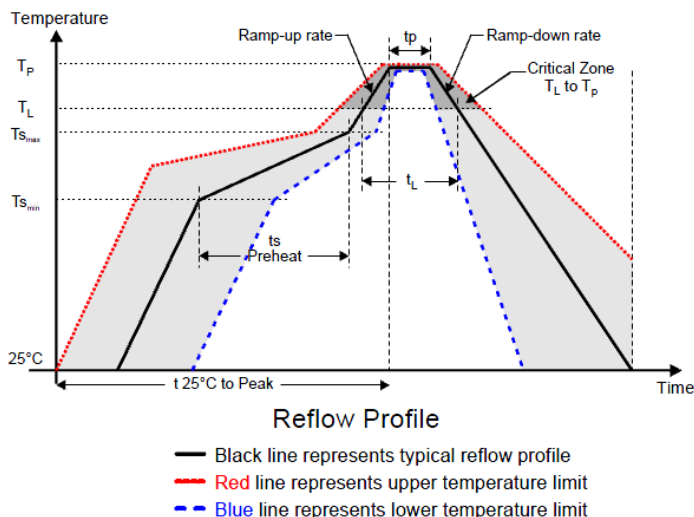


15.37 x 13.84 x 6.35mm

SCHEMATICS:



REFLOW PROFILE:



Profile Feature	Pb-Free Assembly
Average Ramp-Up Rate (Ts _{max} to Tp)	3°C /second max.
Preheat	
-Temperature Min (Ts _{min})	150°C
-Temperature Max (Ts _{max})	200°C
-Time (ts _{min} to ts _{max})	60-180 seconds
Time maintained above:	
-Temperature (T _L)	217°C
-Time (t _L)	60-150 seconds
Peak/Classification Temperature (Tp)	245+0/-5°C
Time within 5°C of actual Peak Temperature (tp)	20-40 seconds
Ramp-Down Rate	6°C /seconds max
Time 25°C to Peak Temperature	8 minutes max.