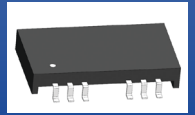


10/100 BASE-TX Low Profile SMD LAN Transformer Module



ALANL100X1



12.7 x 7.1 x 2.1 mm
RoHS/RoHS II Compliant
MSL = 1

Features

- Low Profile of 2.15 mm
- Meets IEEE 802.3u standards
- Compatible with 10 BASE-T and 100 BASE-TX
- RoHS Compliant
- High performance magnetics for EMI suppression and common mode noise rejection
- 1CT:1CT TX and RX Transformers

Applications

- Fast Ethernet
- IP cameras, surveillance, and IP phone
- Industrial computers and robotics
- PC Card and Cardbus

Part Identification

ALANL100X1 - [] [] [] []

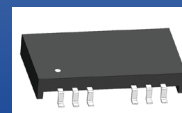
Package Size
D: 12-Pin
E: 16-Pin

Schematic	
12-Pin	16-Pin
E10	F10
E12	F12
E62	F62
ED2	FD2

Operating Temp.
E: 0 °C to +70 °C
D: -40 °C to +85 °C
J: -40 °C to +105 °C
K: -40 °C to +125 °C

Packaging
B: Bulk
T: 2,000 pcs/reel

10/100 BASE-TX Low Profile SMD LAN Transformer Module



ALANL100X1



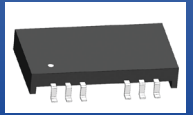
12.7 x 7.1 x 2.1 mm
RoHS/RoHS II Compliant
MSL = 1

Electrical Specifications at 25°C

Part Number	Insertion Loss (dB Max)	Return Loss (dB Min)				Crosstalk (dB Min)			CMRR (dB Min)			DCMR (dB Min)		
	0.5-100 MHz	1-40 MHz	60 MHz	80 MHz	100 MHz	30 MHz	60 MHz	100 MHz	30 MHz	60 MHz	100 MHz	30 MHz	60 MHz	100 MHz
ALANL100X1-DE10	1.2	18	14.4	12	10	45	40	35	43	37	33	43	37	33
ALANL100X1-DE12	1.2	18	14.4	12	10	45	40	35	43	37	33	43	37	33
ALANL100X1-DE62	1.2	18	14.4	12	10	45	40	35	43	37	33	43	37	33
ALANL100X1-DED2	1.2	18	14.4	12	10	45	40	35	43	37	33	43	37	33
ALANL100X1-EF10	1.2	18	14.4	12	10	45	40	35	43	37	33	43	37	33
ALANL100X1-EF12	1.2	18	14.4	12	10	45	40	35	43	37	33	43	37	33
ALANL100X1-EF62	1.2	18	14.4	12	10	45	40	35	43	37	33	43	37	33
ALANL100X1-EFD2	1.2	18	14.4	12	10	45	40	35	43	37	33	43	37	33

Part Number	Inductance (uH Min)	Leakage Inductance (uH Max)	Interwinding Capacitance (pF Max)	DC Resistance (Ω Max)		Hi Pot (Vrms)	Weight (g)
				TD+ to TD-	MX+ to MX-		
Test Condition	@100kHz, 0.2V, 8mA DC Bias	@100kHz, 0.1V TD to MX	@100kHz, 0.1V TD to MX	TD+ to TD-	MX+ to MX-	0.5mA/6 sec.	Per Piece
ALANL100X1-DE10	350	0.5	30	1.0	1.5	1500	0.33
ALANL100X1-DE12	350	0.5	30	1.0	1.5	1500	0.33
ALANL100X1-DE62	350	0.5	30	1.5	1.0	1500	0.33
ALANL100X1-DED2	350	0.5	30	1.5 (1-2, 7-8)	1.0 (5-6, 11-12)	1500	0.33
ALANL100X1-EF10	350	0.5	30	1.0	1.5	1500	0.33
ALANL100X1-EF12	350	0.5	30	1.0	1.5	1500	0.33
ALANL100X1-EF62	350	0.5	30	1.5	1.0	1500	0.33
ALANL100X1-EFD2	350	0.5	30	1.5 (1-2, 9-10)	1.0 (7-8, 15-16)	1500	0.33

10/100 BASE-TX Low Profile SMD LAN Transformer Module



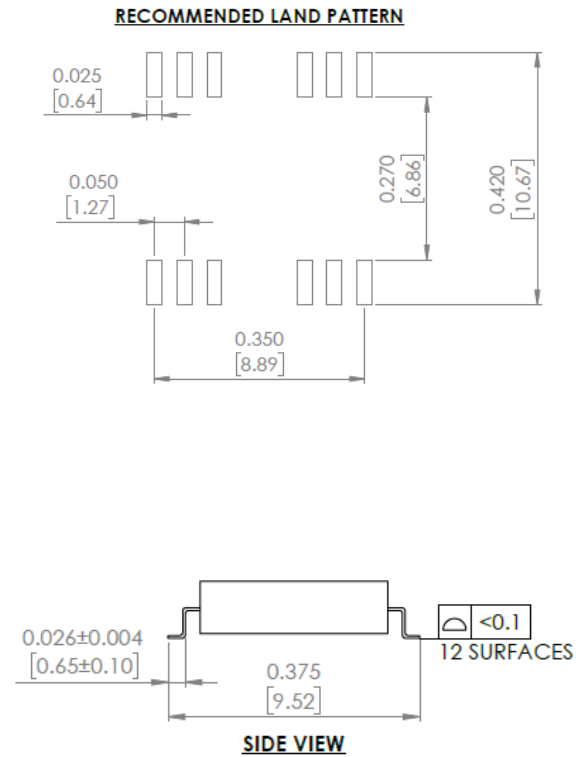
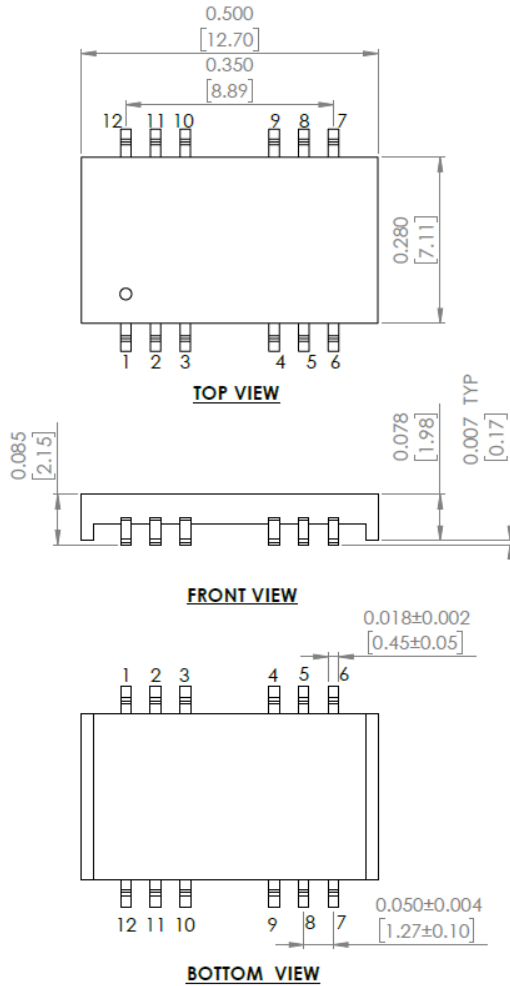
ALANL100X1



12.7 x 7.1 x 2.1 mm
RoHS/RoHS II Compliant
MSL = 1

Mechanical Dimensions

D: 12-pin



Unless otherwise specified, all tolerances are ±0.25 in mm
Dimensions: inch/ [mm]

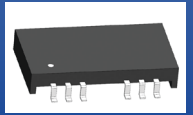


5101 Hidden Creek Ln Spicewood TX 78669
Phone: 512-371-6159 | Fax: 512-351-8858
For terms and conditions of sales, please visit:
www.abracon.com

REVISED: 08-5-19

ABRACON IS
ISO9001-2015
CERTIFIED

10/100 BASE-TX Low Profile SMD LAN Transformer Module



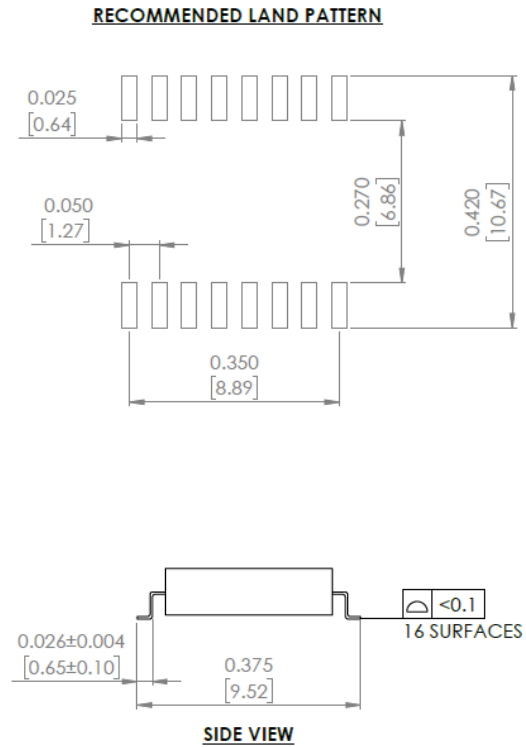
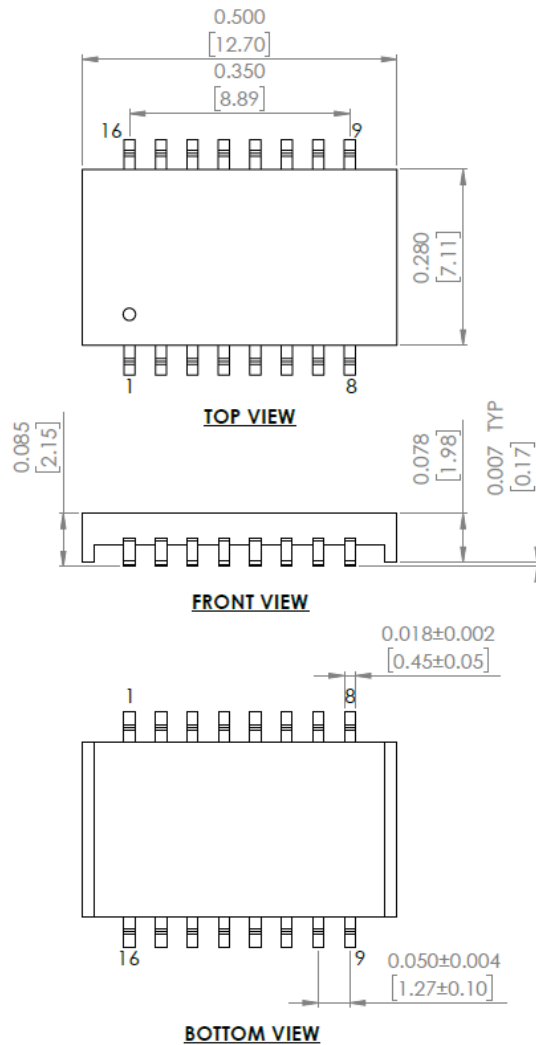
ALANL100X1



12.7 x 7.1 x 2.1 mm
RoHS/RoHS II Compliant
MSL = 1

Mechanical Dimensions

E: 16-pin



Unless otherwise specified, all tolerances are ±0.25 in mm
Dimensions: inch/ [mm]

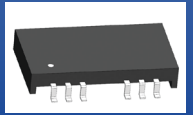


5101 Hidden Creek Ln Spicewood TX 78669
Phone: 512-371-6159 | Fax: 512-351-8858
For terms and conditions of sales, please visit:
www.abracon.com

REVISED: 08-5-19

ABRACON IS
ISO9001-2015
CERTIFIED

10/100 BASE-TX Low Profile SMD LAN Transformer Module



ALANL100X1

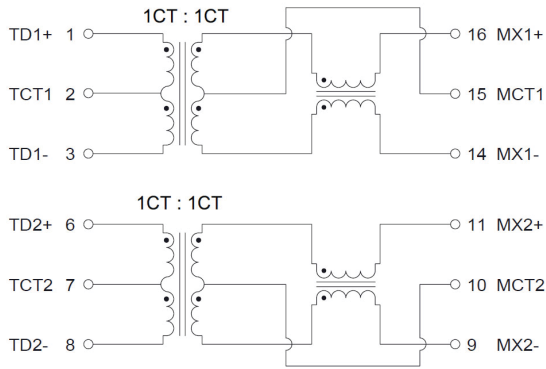


12.7 x 7.1 x 2.1 mm
RoHS/RoHS II Compliant
MSL = 1

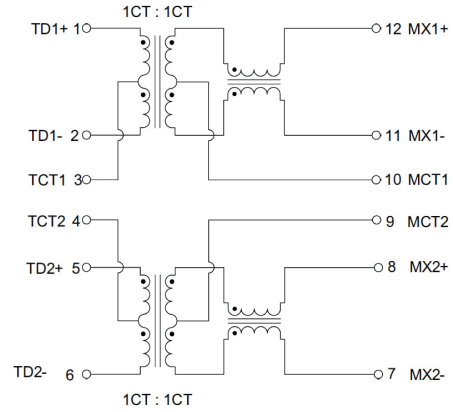
Schematics

12-Pin

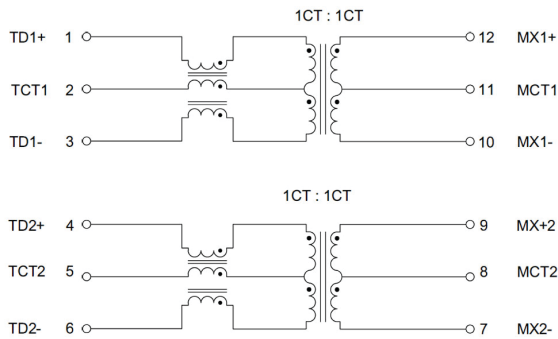
E10



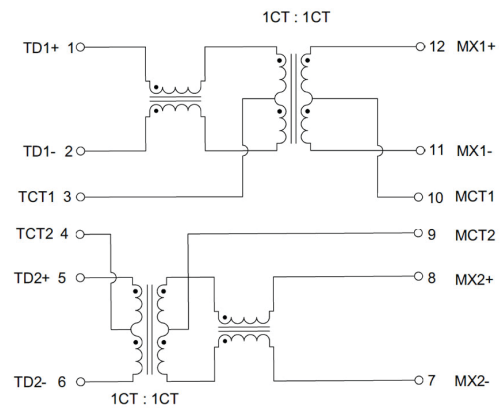
E12



E62



ED2



Contact Abracon for additional options.

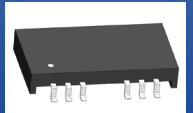


5101 Hidden Creek Ln Spicewood TX 78669
Phone: 512-371-6159 | Fax: 512-351-8858
For terms and conditions of sales, please visit:
www.abracon.com

REVISED: 08-5-19

ABRACON IS
ISO9001-2015
CERTIFIED

10/100 BASE-TX Low Profile SMD LAN Transformer Module



ALANL100X1

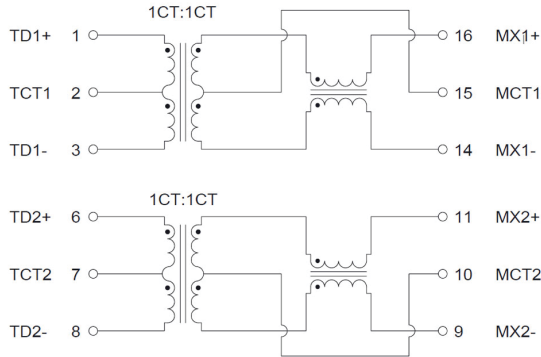


12.7 x 7.1 x 2.1 mm
RoHS/RoHS II Compliant
MSL = 1

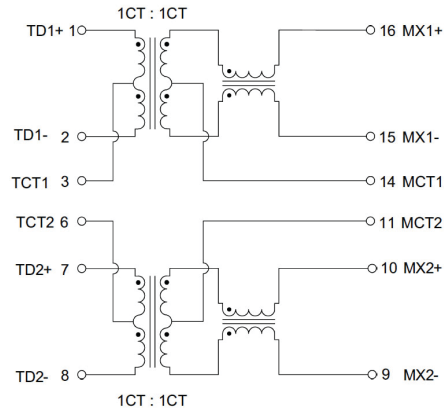
Schematics

16-Pin

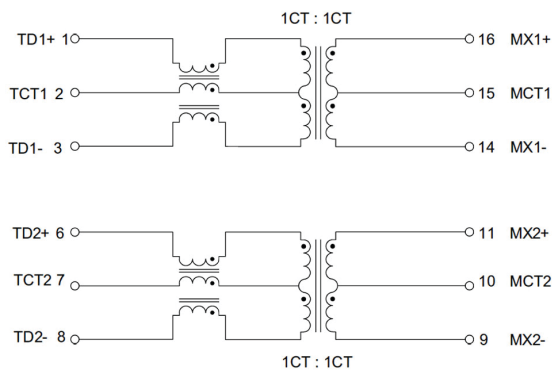
F10



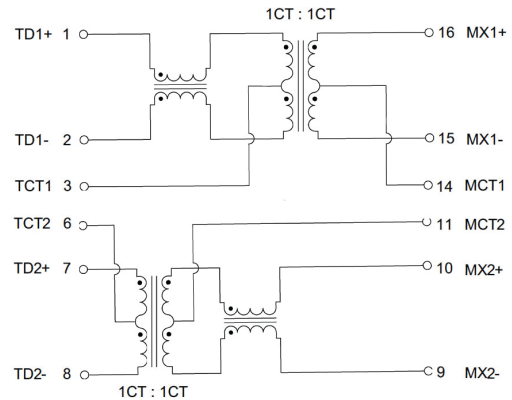
F12



F62



FD2



Contact Abracon for additional options.

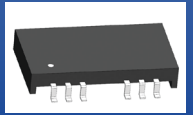


5101 Hidden Creek Ln Spicewood TX 78669
Phone: 512-371-6159 | Fax: 512-351-8858
For terms and conditions of sales, please visit:
www.abracon.com

REVISED: 08-5-19

ABRACON IS
ISO9001-2015
CERTIFIED

10/100 BASE-TX Low Profile SMD LAN Transformer Module

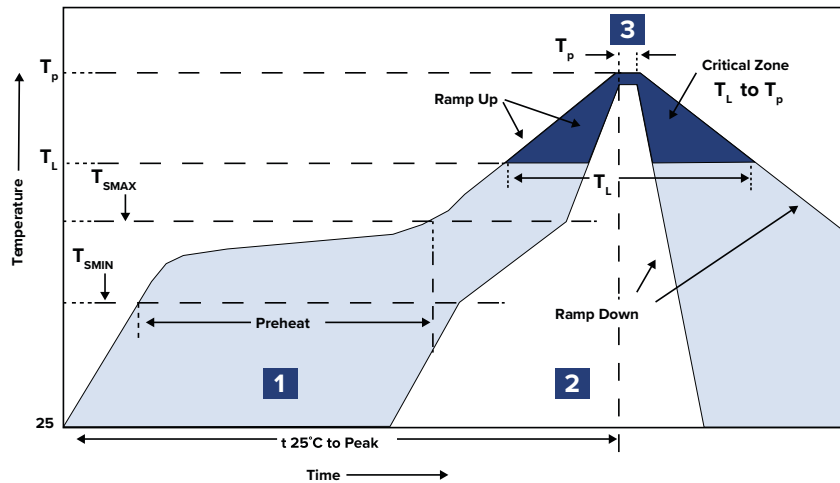


ALANL100X1



12.7 x 7.1 x 2.1 mm
RoHS/RoHS II Compliant
MSL = 1

Reflow Profile



Zone	Description	Temperature	Time
1	Preheat / Soak	$T_{SMIN} \sim T_{SMAX}$ $150^{\circ}\text{C} \sim 200^{\circ}\text{C}$	60 ~ 180 sec.
2	Reflow	T_L 245°C	20 ~ 40 sec.
3	Peak heat	T_P $240^{\circ}\text{C} \pm 5^{\circ}\text{C}$	10 sec. MAX