

QUAD/DUAL SUPERCAPACITOR AUTO BALANCING (SAB™) MOSFET ARRAY

GENERAL DESCRIPTION

The ALD810016/ALD910016 are members of the ALD8100xx (quad) and ALD9100xx (dual) family of Supercapacitor Auto Balancing MOSFETs, or SAB™ MOSFETs. SAB MOSFETs are built with production proven EPAD® technology and are designed to address voltage and leakage-current balancing of supercapacitors connected in series. Supercapacitors, also known as ultracapacitors or supercaps, connected in series can be leakage-current balanced by using a combination of one or more devices connected across each supercapacitor stack to prevent over-voltages.

The ALD810016 offers a set of unique, precise operating voltage and current characteristics for each of four SAB MOSFET devices, as shown in its Operating Electrical Characteristics table. It can be used to balance up to four supercapacitors connected in series. The ALD910016 has its own set of unique precision Operating Electrical Characteristics for each of its two SAB MOSFET devices, suitable for up to two series-connected supercapacitors.

Each SAB MOSFET features a precision gate threshold voltage in the V_t mode, which is 1.60V when the gate-drain source terminals ($V_{GS} = V_{DS}$) are connected together at a drain-source current of $I_{DS(ON)} = 1\mu A$. In this mode, input voltage $V_{IN} = V_{GS} = V_{DS}$. Different V_{IN} produces an Output Current $I_{OUT} = I_{DS(ON)}$ characteristic and results in an effective variable resistor that varies in value exponentially with V_{IN} . This V_{IN} , when connected across each supercapacitor in a series, balances each supercapacitor to within its voltage and current limits.

When $V_{IN} = 1.60V$ is applied to an ALD810016/ALD910016, its I_{OUT} is $1\mu A$. For a 100mV increase in V_{IN} , to 1.70V, I_{OUT} increases by about tenfold. For an additional increase in V_{IN} to 1.82V for the ALD910016 (1.84V for the ALD810016), I_{OUT} increases one hundredfold, to $100\mu A$. Conversely, for a 100mV decrease in V_{IN} to 1.50V, I_{OUT} decreases to one tenth of its previous value, to $0.1\mu A$. Another 100mV decrease in input voltage would reduce I_{OUT} to $0.01\mu A$. Hence, when an ALD810016/ALD910016 SAB MOSFET is connected across a supercapacitor that charges to less than 1.40V, it would dissipate essentially no power.

(Continued on next page)

PRODUCT FAMILY SPECIFICATIONS

For more information on supercapacitor balancing, how SAB MOSFETs achieve automatic supercapacitor balancing, the device characteristics of the SAB MOSFET family, product family product selection guide, applications, configurations, and package information, please download from www.aldinc.com the document:

"ALD8100xx/ALD9100xx Family of Supercapacitor Auto Balancing (SAB™) MOSFET ARRAYS"

ORDERING INFORMATION ("L" suffix denotes lead-free (RoHS))

| Package | Operating Temperature Range | |
|-------------|------------------------------|--------------------------------|
| | 0°C to +70°C (Commercial) | -40°C to +85°C (Industrial) |
| 16-Pin SOIC | ALD810016SCL | ALD810016SCLI |
| 8-Pin SOIC | ALD910016SAL | ALD910016SALI |

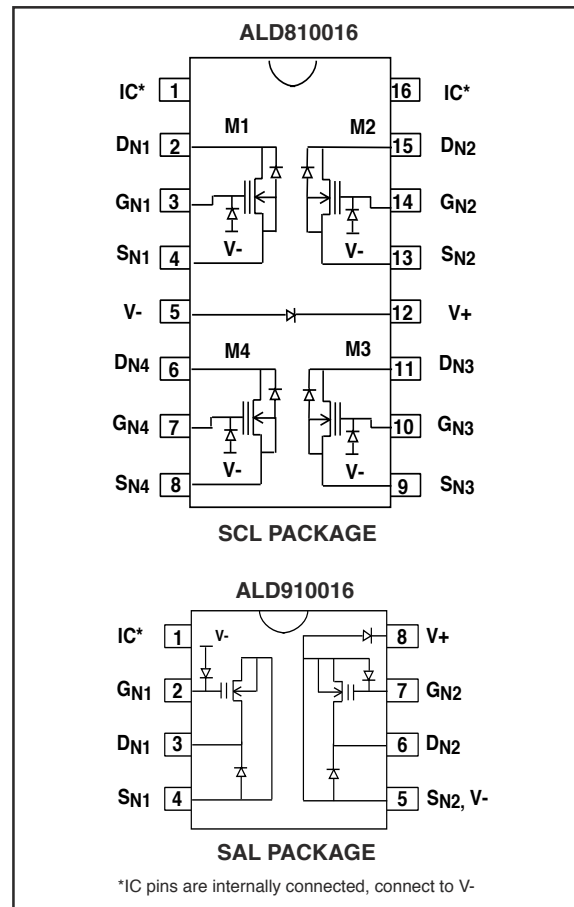
FEATURES & BENEFITS

- Simple and economical to use
- Precision factory trimmed
- Automatically regulates and balances leakage currents
- Effective for supercapacitor charge-balancing
- Balances up to 4 supercaps with a single IC package
- Balances 2-cell, 3-cell, 4-cell series-connected supercaps
- Scalable to larger supercap stacks and arrays
- Near zero additional leakage currents
- Zero leakage at 0.3V below rated voltages
- Balances series and/or parallel-connected supercaps
- Leakage currents are exponential function of cell voltages
- Active current ranges from $<0.3nA$ to $>1000\mu A$
- Always active, always fast response time
- Minimizes leakage currents and power dissipation

APPLICATIONS

- Series-connected supercapacitor cell leakage balancing
- Energy harvesting
- Long term backup battery with supercapacitor outputs
- Zero-power voltage divider at selected voltages
- Matched current mirrors and current sources
- Zero-power mode maximum voltage limiter
- Scaled supercapacitor stacks and arrays

PIN CONFIGURATIONS



GENERAL DESCRIPTION (CONT.)

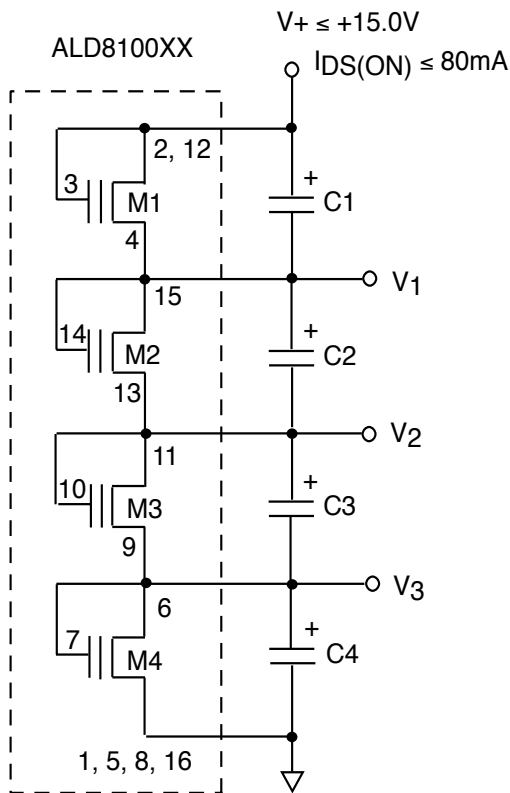
The voltage dependent characteristic of the ALD810016/ALD910016 on-resistance is effective in controlling excessive voltage rise across a supercapacitor when connected across it. In series-connected supercapacitor stacks, when one supercapacitor voltage rises, the voltage of the other supercapacitors drops, with the ones that have the highest leakage currents having the lowest supercapacitor voltages. The SAB MOSFETs connected across these supercapacitors would exhibit complementary opposing current levels, resulting in little additional leakage currents other than those caused by the supercapacitors themselves.

For technical assistance, please contact ALD technical support at techsupport@aldinc.com.

APPLYING THE ALD810016/ALD910016:

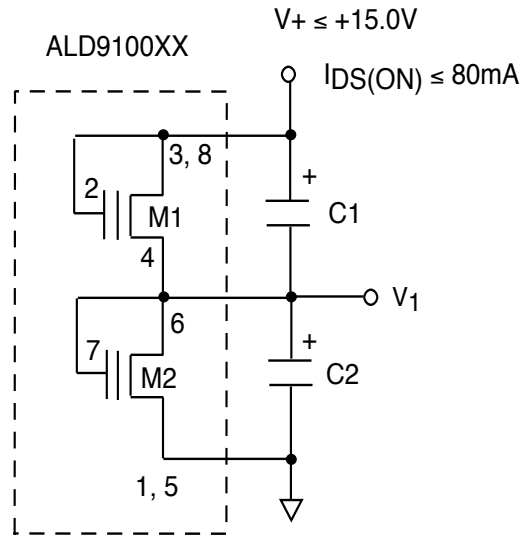
- 1) Select a maximum supercapacitor leakage current limit for any supercapacitor used in the stack. This is the same as output current, $I_{OUT} = I_{DS(ON)}$, of the ALD810016/ALD910016. Test that each supercapacitor leakage current meets this maximum current limit before use in the stack.
- 2) Determine whether the input voltage V_{IN} ($V_{GS} = V_{DS}$) at that I_{OUT} is acceptable for the intended application. This voltage is the same voltage as the maximum desired operating voltage of the supercapacitor. For example, with the ALD810016, $I_{OUT} = 1000\mu A$ corresponds to $V_{IN} = 2.12V$.
- 3) Determine that the operating voltage margin, due to various tolerances and/or temperature effects, is adequate for the intended operating environment of the supercapacitor.

SCHEMATIC DIAGRAM OF A TYPICAL CONNECTION FOR A FOUR-SUPERCAP STACK



1-16 DENOTES PACKAGE PIN NUMBERS
C1-C4 DENOTES SUPERCAPACITORS

SCHEMATIC DIAGRAM OF A TYPICAL CONNECTION FOR A TWO-SUPERCAP STACK



1-8 DENOTES PACKAGE PIN NUMBERS
C1-C2 DENOTES SUPERCAPACITORS

ABSOLUTE MAXIMUM RATINGS

| | |
|----------------------------------|-----------------|
| V+ to V- voltage | 15.0V |
| Drain-Source voltage, V_{DS} | 10.6V |
| Gate-Source voltage, V_{GS} | 10.6V |
| Operating Current | 80mA |
| Power dissipation | 500mW |
| Operating temperature range SCL | 0°C to +70°C |
| Operating temperature range SCL1 | -40°C to +85°C |
| Storage temperature range | -65°C to +150°C |
| Lead temperature, 10 seconds | +260°C |

CAUTION: ESD Sensitive Device. Use static control procedures in ESD controlled environment.

OPERATING ELECTRICAL CHARACTERISTICS

V+ = +5V, V- = GND, $T_A = 25^\circ\text{C}$, $V_{IN} = V_{GS} = V_{DS}$, $I_{OUT} = I_{DS(ON)}$ unless otherwise specified

| Parameter | Symbol | ALD810016 | | | Unit | Test Conditions |
|--|---------------------------|-----------|-----------------|------|-----------------------------------|--|
| | | Min | Typ | Max | | |
| Gate Threshold Voltage | V_t | 1.58 | 1.60 | 1.62 | V | $V_{GS} = V_{DS}$; $I_{DS(ON)} = 1\mu\text{A}$ |
| Offset Voltage | V_{OS} | | 5 | 20 | mV | $V_{t1} - V_{t2}$ or $V_{t3} - V_{t4}$ |
| Offset Voltage Tempco | TC_{VOS} | | 5 | | $\mu\text{V}/^\circ\text{C}$ | $V_{t1} - V_{t2}$ or $V_{t3} - V_{t4}$ |
| Gate Threshold Voltage Tempco | TC_{V_t} | | -2.2 | | mV/°C | $V_{GS} = V_{DS}$; $I_{DS(ON)} = 1\mu\text{A}$ |
| Output Current Drain Source On Resistance | I_{OUT} $R_{DS(ON)}$ | | 0.0001 12000 | | μA $\text{M}\Omega$ | $V_{IN} = 1.20\text{V}$ |
| Output Current Drain Source On Resistance | I_{OUT} $R_{DS(ON)}$ | | 0.001 1300 | | μA $\text{M}\Omega$ | $V_{IN} = 1.30\text{V}$ |
| Output Current Drain Source On Resistance | I_{OUT} $R_{DS(ON)}$ | | 0.01 140 | | μA $\text{M}\Omega$ | $V_{IN} = 1.40\text{V}$ |
| Output Current Drain Source On Resistance | I_{OUT} $R_{DS(ON)}$ | | 0.1 15 | | μA $\text{M}\Omega$ | $V_{IN} = 1.50\text{V}$ |
| Output Current Drain Source On Resistance | I_{OUT} $R_{DS(ON)}$ | | 1 1.6 | | μA $\text{M}\Omega$ | $V_{IN} = 1.60\text{V}$ |
| Output Current Drain Source On Resistance | I_{OUT} $R_{DS(ON)}$ | | 10 0.17 | | μA $\text{M}\Omega$ | $V_{IN} = 1.70\text{V}$ |
| Output Current Drain Source On Resistance | I_{OUT} $R_{DS(ON)}$ | | 100 0.018 | | μA $\text{M}\Omega$ | $V_{IN} = 1.84\text{V}$ |
| Output Current Drain Source On Resistance | I_{OUT} $R_{DS(ON)}$ | | 300 0.007 | | μA $\text{M}\Omega$ | $V_{IN} = 1.94\text{V}$ |
| Output Current Drain Source On Resistance | I_{OUT} $R_{DS(ON)}$ | | 1000 0.002 | | μA $\text{M}\Omega$ | $V_{IN} = 2.12\text{V}$ |
| Output Current Drain Source On Resistance | I_{OUT} $R_{DS(ON)}$ | | 3000 0.001 | | μA $\text{M}\Omega$ | $V_{IN} = 2.42\text{V}$ |
| Output Current Drain Source On Resistance | I_{OUT} $R_{DS(ON)}$ | | 10000 0.0003 | | μA $\text{M}\Omega$ | $V_{IN} = 3.02\text{V}$ |
| Drain Source Breakdown Voltage | BV_{DSX} | 10.6 | | | V | |
| Drain Source Leakage Current ¹ | $I_{DS(OFF)}$ | | 10 | 400 | pA nA | $V_{IN} = V_{GS} = V_{DS} = V_t - 1.0$ $V_{IN} = V_{GS} = V_{DS} = V_t - 1.0$, $T_A = +125^\circ\text{C}$ |
| Gate Leakage Current ¹ | I_{GSS} | | 5 | 200 | pA nA | $V_{GS} = 5.0\text{V}$, $V_{DS} = 0\text{V}$ $V_{GS} = 5.0\text{V}$, $V_{DS} = 0\text{V}$, $T_A = +125^\circ\text{C}$ |
| Input Capacitance | C_{ISS} | | 15 | | pF | $V_{GS} = 0\text{V}$, $V_{DS} = 5.0\text{V}$ |
| Turn-on Delay Time | t_{on} | | 10 | | ns | |
| Turn-off Delay Time | t_{off} | | 10 | | ns | |
| Crosstalk | | | 60 | | dB | $f = 100\text{KHz}$ |

ABSOLUTE MAXIMUM RATINGS

| | |
|----------------------------------|-----------------|
| V+ to V- voltage | 15.0V |
| Drain-Source voltage, V_{DS} | 10.6V |
| Gate-Source voltage, V_{GS} | 10.6V |
| Operating Current | 80mA |
| Power dissipation | 500mW |
| Operating temperature range SAL | 0°C to +70°C |
| Operating temperature range SALI | -40°C to +85°C |
| Storage temperature range | -65°C to +150°C |
| Lead temperature, 10 seconds | +260°C |

CAUTION: ESD Sensitive Device. Use static control procedures in ESD controlled environment.

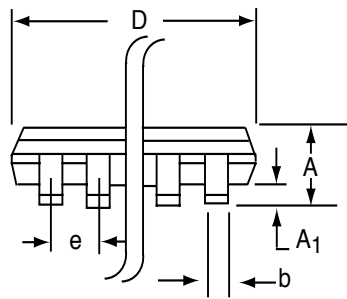
OPERATING ELECTRICAL CHARACTERISTICS

V+ = +5V, V- = GND, $T_A = 25^\circ\text{C}$, $V_{IN} = V_{GS} = V_{DS}$, $I_{OUT} = I_{DS(ON)}$ unless otherwise specified

| Parameter | Symbol | ALD910016 | | | Unit | Test Conditions |
|--|---------------------------|-----------|-----------------|------|-----------------------------------|--|
| | | Min | Typ | Max | | |
| Gate Threshold Voltage | V_t | 1.58 | 1.60 | 1.62 | V | $V_{GS} = V_{DS}$; $I_{DS(ON)} = 1\mu\text{A}$ |
| Offset Voltage | V_{OS} | | 5 | 20 | mV | $V_{t1} - V_{t2}$ |
| Offset Voltage Tempco | TC_{VOS} | | 5 | | $\mu\text{V}/\text{C}$ | $V_{t1} - V_{t2}$ |
| Gate Threshold Voltage Tempco | TC_{V_t} | | -2.2 | | mV/C | $V_{GS} = V_{DS}$; $I_{DS(ON)} = 1\mu\text{A}$ |
| Output Current Drain Source On Resistance | I_{OUT} $R_{DS(ON)}$ | | 0.0001 12000 | | μA $\text{M}\Omega$ | $V_{IN} = 1.20\text{V}$ |
| Output Current Drain Source On Resistance | I_{OUT} $R_{DS(ON)}$ | | 0.001 1300 | | μA $\text{M}\Omega$ | $V_{IN} = 1.30\text{V}$ |
| Output Current Drain Source On Resistance | I_{OUT} $R_{DS(ON)}$ | | 0.01 140 | | μA $\text{M}\Omega$ | $V_{IN} = 1.40\text{V}$ |
| Output Current Drain Source On Resistance | I_{OUT} $R_{DS(ON)}$ | | 0.1 15 | | μA $\text{M}\Omega$ | $V_{IN} = 1.50\text{V}$ |
| Output Current Drain Source On Resistance | I_{OUT} $R_{DS(ON)}$ | | 1 1.6 | | μA $\text{M}\Omega$ | $V_{IN} = 1.60\text{V}$ |
| Output Current Drain Source On Resistance | I_{OUT} $R_{DS(ON)}$ | | 10 0.17 | | μA $\text{M}\Omega$ | $V_{IN} = 1.70\text{V}$ |
| Output Current Drain Source On Resistance | I_{OUT} $R_{DS(ON)}$ | | 100 0.018 | | μA $\text{M}\Omega$ | $V_{IN} = 1.82\text{V}$ |
| Output Current Drain Source On Resistance | I_{OUT} $R_{DS(ON)}$ | | 300 0.007 | | μA $\text{M}\Omega$ | $V_{IN} = 1.90\text{V}$ |
| Output Current Drain Source On Resistance | I_{OUT} $R_{DS(ON)}$ | | 1000 0.002 | | μA $\text{M}\Omega$ | $V_{IN} = 2.04\text{V}$ |
| Output Current Drain Source On Resistance | I_{OUT} $R_{DS(ON)}$ | | 3000 0.001 | | μA $\text{M}\Omega$ | $V_{IN} = 2.10\text{V}$ |
| Output Current Drain Source On Resistance | I_{OUT} $R_{DS(ON)}$ | | 10000 0.0003 | | μA $\text{M}\Omega$ | $V_{IN} = 2.60\text{V}$ |
| Drain Source Breakdown Voltage | BV_{DSX} | 10.6 | | | V | |
| Drain Source Leakage Current ¹ | $I_{DS(OFF)}$ | | 10 | 400 | pA nA | $V_{IN} = V_{GS} = V_{DS} = V_t - 1.0$ $V_{IN} = V_{GS} = V_{DS} = V_t - 1.0$, $T_A = +125^\circ\text{C}$ |
| Gate Leakage Current ¹ | I_{GSS} | | 5 | 200 | pA nA | $V_{GS} = 5.0\text{V}$, $V_{DS} = 0\text{V}$ $V_{GS} = 5.0\text{V}$, $V_{DS} = 0\text{V}$, $T_A = +125^\circ\text{C}$ |
| Input Capacitance | C_{ISS} | | 30 | | pF | $V_{GS} = 0\text{V}$, $V_{DS} = 5.0\text{V}$ |
| Turn-on Delay Time | t_{on} | | 10 | | ns | |
| Turn-off Delay Time | t_{off} | | 10 | | ns | |
| Crosstalk | | | 60 | | dB | $f = 100\text{KHz}$ |

SOIC-16 PACKAGE DRAWING

16 Pin Plastic SOIC Package



| Dim | Millimeters | | Inches | |
|----------------------|-------------|-------|-----------|-------|
| | Min | Max | Min | Max |
| A | 1.35 | 1.75 | 0.053 | 0.069 |
| A₁ | 0.10 | 0.25 | 0.004 | 0.010 |
| b | 0.35 | 0.45 | 0.014 | 0.018 |
| C | 0.18 | 0.25 | 0.007 | 0.010 |
| D-16 | 9.80 | 10.00 | 0.385 | 0.394 |
| E | 3.50 | 4.05 | 0.140 | 0.160 |
| e | 1.27 BSC | | 0.050 BSC | |
| H | 5.70 | 6.30 | 0.224 | 0.248 |
| L | 0.60 | 0.937 | 0.024 | 0.037 |
| ∅ | 0° | 8° | 0° | 8° |
| S | 0.25 | 0.50 | 0.010 | 0.020 |