



## Alpha 15

Quad Band GSM & 3G Puck Adhesive Antenna

### Key Features

- GSM & 3G compatible
- Aesthetic puck shape design
- Adhesive base
- Peak Gain of 2dBi



### General Description

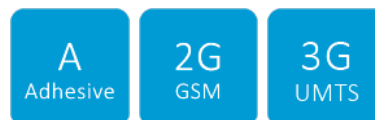
The Alpha 15 is tuned to the quad band GSM and 3G frequencies, allowing for worldwide use.

The antenna is supplied as standard with an adhesive base but can also be made with either a magnetic or screw threaded base for volume orders.

Supplied with a 2.5 meter RG174 cable and SMA male connector as standard. Alternative cable lengths and connectors can be fitted for volume orders.

### Additional Considerations

- Supplied as standard with an adhesive base
- Magnetic and screw base options
- Intended for indoor use
- Quad band GSM & 3G compatible for worldwide use





## Alpha 15

Quad Band GSM & 3G Puck Adhesive Antenna

### Electrical Specifications

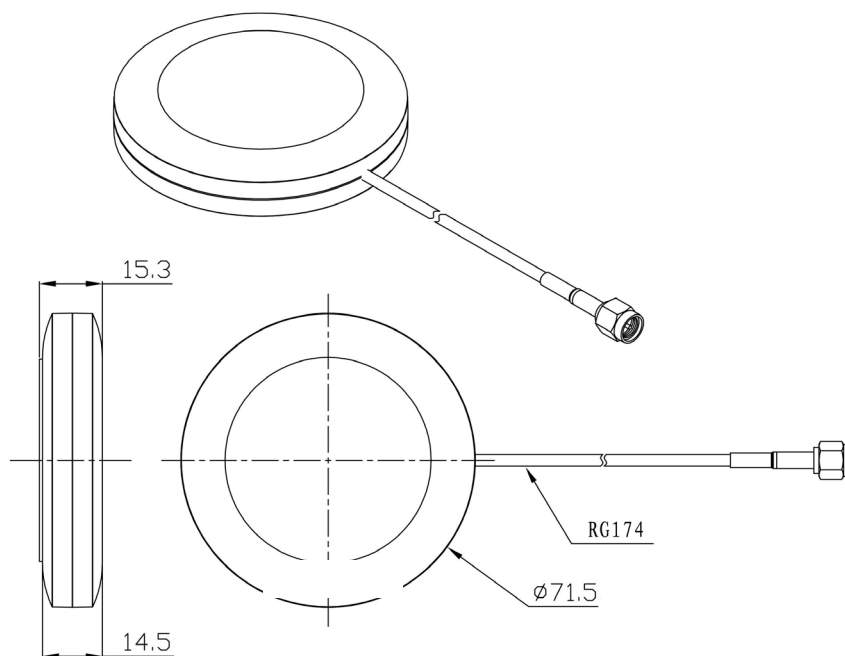
Impedance:	50 Ohm
Peak Gain:	2dBi
VSWR:	<2.5
Frequency range:	824 ~ 960, 1710 ~ 2170MHz
Polarization:	Linear

### Mechanical Specifications

Dimensions:	71.4 Ø x H15.3mm
Cable:	RG174 or others
Connector:	SMA Male
Mounting Method:	Magnetic
Radome Material:	ABS

### Environmental Specifications

Operating temperature:	-40 to +85°C
------------------------	--------------



Unit: mm