



## Alpha 16

2.4GHz WiFi / WLAN Adhesive Antenna



### Key Features

- 2.4GHz WiFi Antenna
- Small footprint – 39.9 x 33.5mm
- Adhesive Base
- 2dBi Gain

### General Description

The Alpha 16 is a slim dedicated WiFi antenna with a small footprint size of 35.5 x 39.9mm.

It will fit discreetly onto most surfaces, whether that is on a work top or side of a wireless modem and is supplied with a 3M™ adhesive base, making this antenna perfect for quick installation onto a number of different surface materials such as: metal, glass, wood and plastic.

The Alpha 16 achieves a peak gain of 2dBi, helping to improve the short range signal transmission/reception of WiFi modems, Bluetooth gadgets or low power ZigBee sensors.

Custom cable lengths and alternative connector types can be supplied for volume orders.

### Additional Considerations

- Small footprint allows for internal / embedded integration
- Strong adhesive base for simple installation
- Omni directional radiation





## Alpha 16

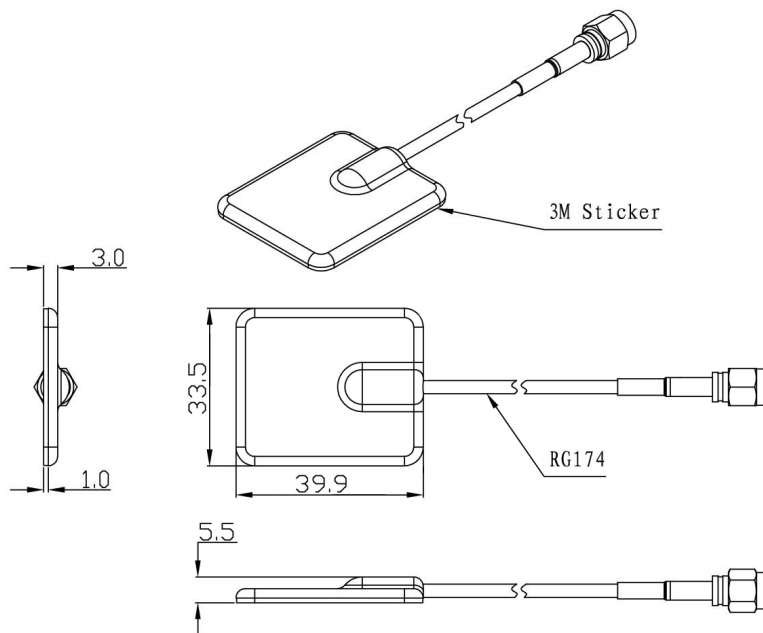
2.4GHz WiFi / WLAN Adhesive Antenna

### Electrical Specifications

Operating Temperature:	-40 - +60°C
Impedance:	50 Ohm
Gain:	2dBi
VSWR:	≤2.0
Frequency Range:	2400 - 2483MHz
Polarization:	Linear

### Mechanical Specifications

Dimensions:	L39.9 x W33.5 x H5.5mm
Cable:	RG174
Connector:	SMA (various)
Mounting Method:	Adhesive



### Ordering Details

Part Number	Description
ALPHA16/1M/SMAM/S/RP/17	2.4GHz WiFi / WLAN Adhesive Antenna 1m Cable SMA Male Reverse Polarity
ALPHA16/1M/SMAM/S/S/17	2.4GHz WiFi / WLAN Adhesive Antenna 1m Cable SMA Male
ALPHA16/3M/SMAM/RP/RA/17	2.4GHz WiFi / WLAN Adhesive Antenna 3m Cable SMA Male Reverse Polarity Right Angle