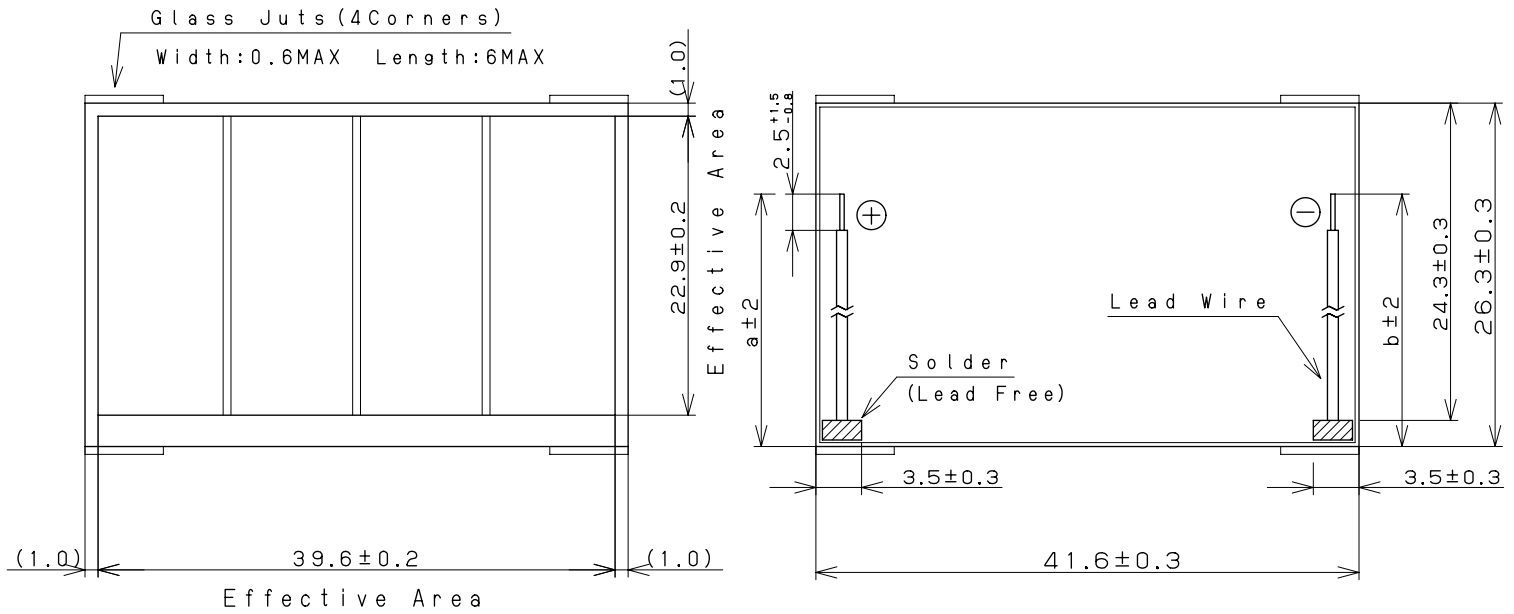


Model : AM-1454CA

1. Outside dimensions 外形寸法

Light Receiving Side (受光面)

Overcoat Side (オーバーコート面)



(dimension:mm)

Lead Wires : AWG30	
a:51	b:51

Note

Glass Substrate Thickness (ガラス基板厚) : 1.1mm±0.1

Module Thickness (モジュール厚) : 1.3mmMAX

Wire-Overcoat thickness: 2.5mmMAX (including Module)
(リード線補正コート厚)

2. Rated Specifications (at 25°C)

Item	Specifications (Initial)
2.1 Open circuit voltage: Voc 開放電圧	Typical 2.4V at 200Lx FL
2.2 Short circuit Current: Isc 短絡電流	Typical 35.0μA at 200Lx FL
2.3 Operating Voltage & Operating Current: Vope-lope 動作特性	Typical 1.4V - 7.8μA at 50Lx FL
	Minimum 1.5V - 21.0μA at 200Lx FL
	Typical 1.5V - 31.0μA at 200Lx FL
2.5 Working temperature range: Topr 動作温度範囲	-10 to 60°C
2.6 Storage temperature range: Tstg 保存温度範囲	-20 to 70°C
2.7 Working illuminance range 使用照度範囲	~1000Lx

FL: White Fluorescent Light

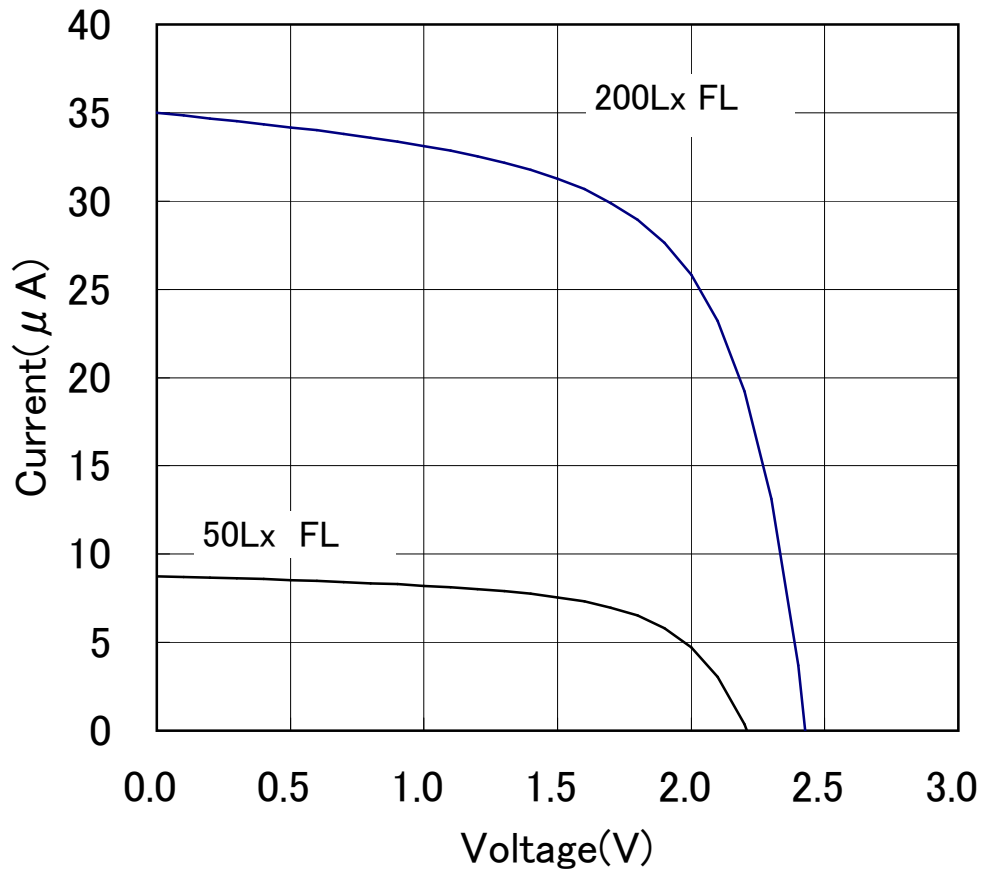
I - V Characteristics

REFERENCE

1.Model : AM-1454

2.Outside Dimension : 41.6mm × 26.3mm

FL:White Fluorescent Light



*このデータは標準的な出力特性を示すものであり、特性を保証するものではありません。

*The data are meant to show standard electric characteristics only , not intended to guarantee the characteristics.

出力の照度依存特性

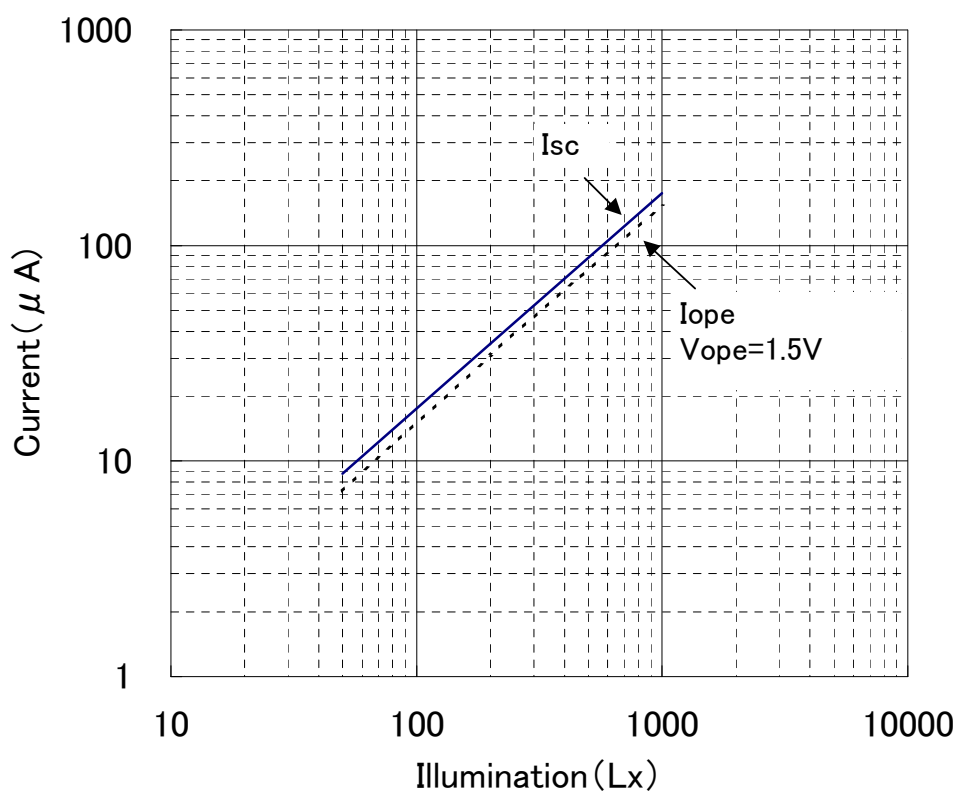
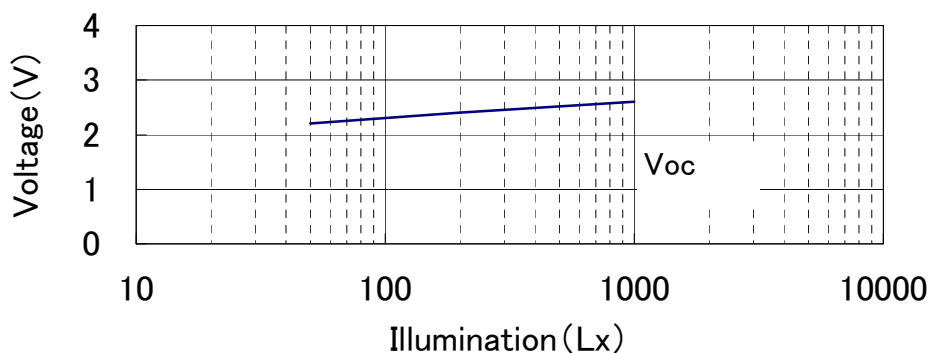
REFERENCE

Dependence of Output on Illumination

1.Model : AM-1454

2.Outside Dimension : 41.6mm × 26.3mm

FL:White Fluorescent Light



*このデータは標準的な出力特性を示すものであり、特性を保証するものではありません。

*The data are meant to show standard electric characteristics only , not intended to guarantee the characteristics.