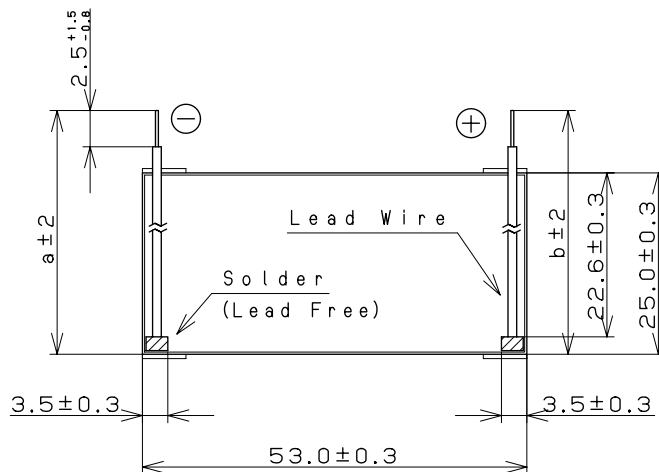
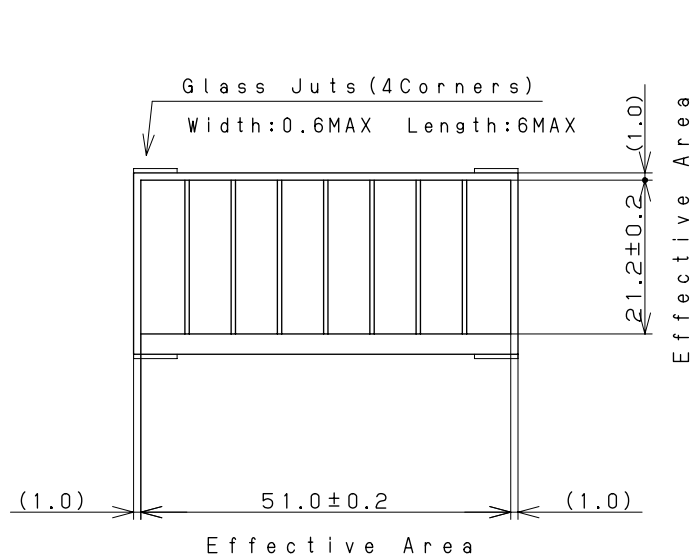


Model : AM-1801CA

1. Outside dimensions 外形寸法

Light Receiving Side (受光面)

Overcoat Side (オーバークート面)



(dimension: mm)

Lead Wires : AWG30	
a : 51	b : 51

Note

Glass Substrate Thickness (ガラス基板厚) : 1.1mm ± 0.1

Module Thickness (モジュール厚) : 1.3mm MAX

Wire-Overcoat thickness : 2.5mm MAX (including Module)
(リード線補正コート厚)

2. Rated Specifications (at 25°C)

Item	Specifications (Initial)
2.1 Open circuit voltage: Voc 開放電圧	Typical 4.9V at 200Lx FL
2.2 Short circuit Current: Isc 短絡電流	Typical 20.0 μA at 200Lx FL
2.3 Operating Voltage & Operating Current: Vope-lope 動作特性	Typical 2.6V - 4.6 μA at 50Lx FL
	Minimum 3.0V - 12.0 μA at 200Lx FL
	Typical 3.0V - 18.5 μA at 200Lx FL
2.5 Working temperature range: Topr 動作温度範囲	-10 to 60°C
2.6 Storage temperature range: Tstg 保存温度範囲	-20 to 70°C
2.7 Working illuminance range 使用照度範囲	~1000Lx

FL: White Fluorescent Light

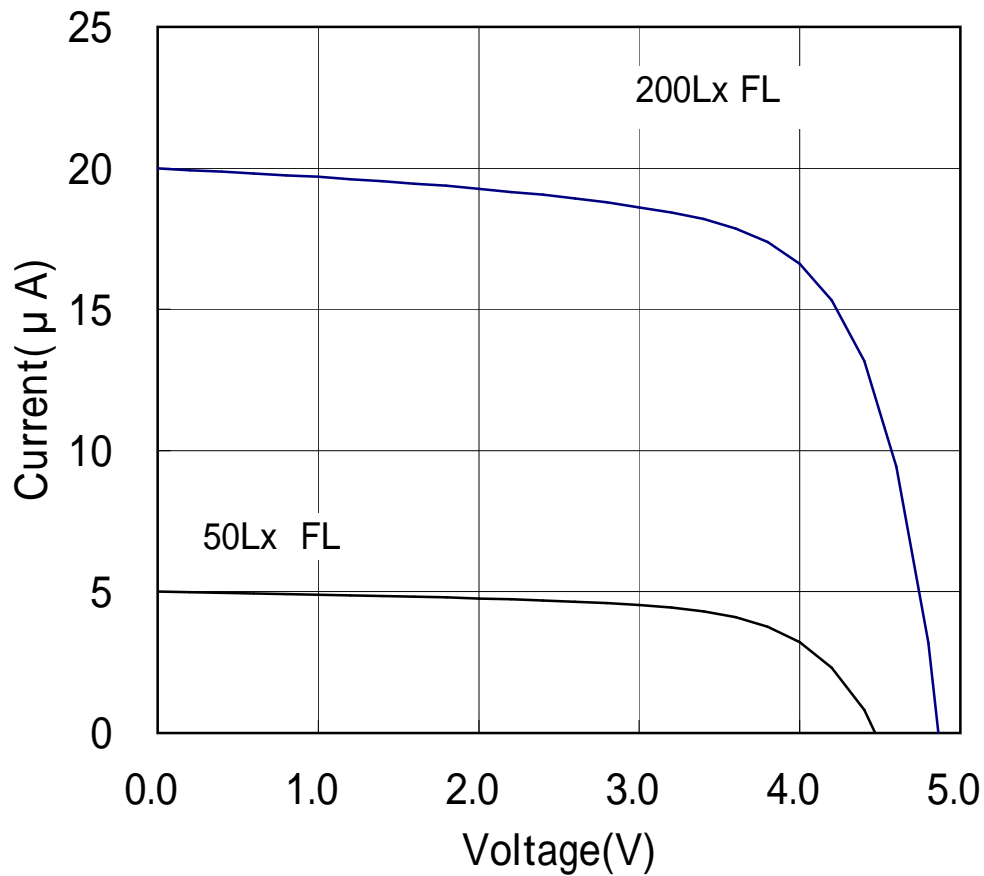
I - V Characteristics

REFERENCE

1.Model : AM-1801

2.Outside Dimension : 53.0mm × 25.0mm

FL:White Fluorescent Light



*このデータは標準的な出力特性を示すものであり、特性を保証するものではありません。

*The data are meant to show standard electric characteristics only , not intended to guarantee the characteristics.

SANYO Amorton Co.,Ltd.

2011/7/15

出力の照度依存特性

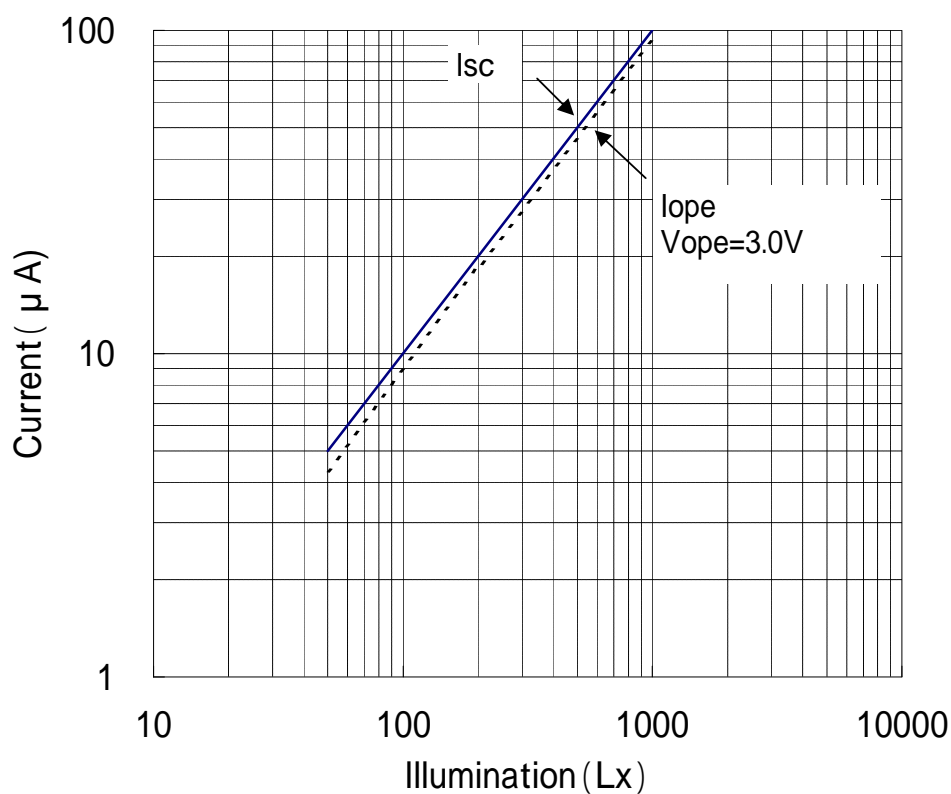
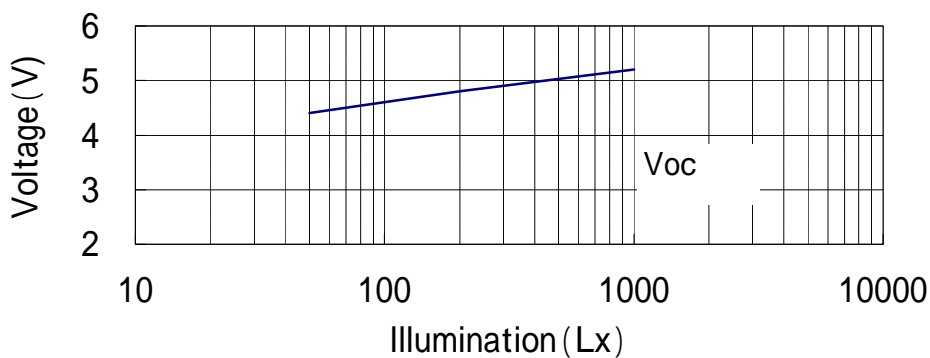
REFERENCE

Dependence of Output on Illumination

1.Model : AM-1801

2.Outside Dimension : 53.0mm × 25.0mm

FL:White Fluorescent Light



*このデータは標準的な出力特性を示すものであり、特性を保証するものではありません。

*The data are meant to show standard electric characteristics only , not intended to guarantee the characteristics.