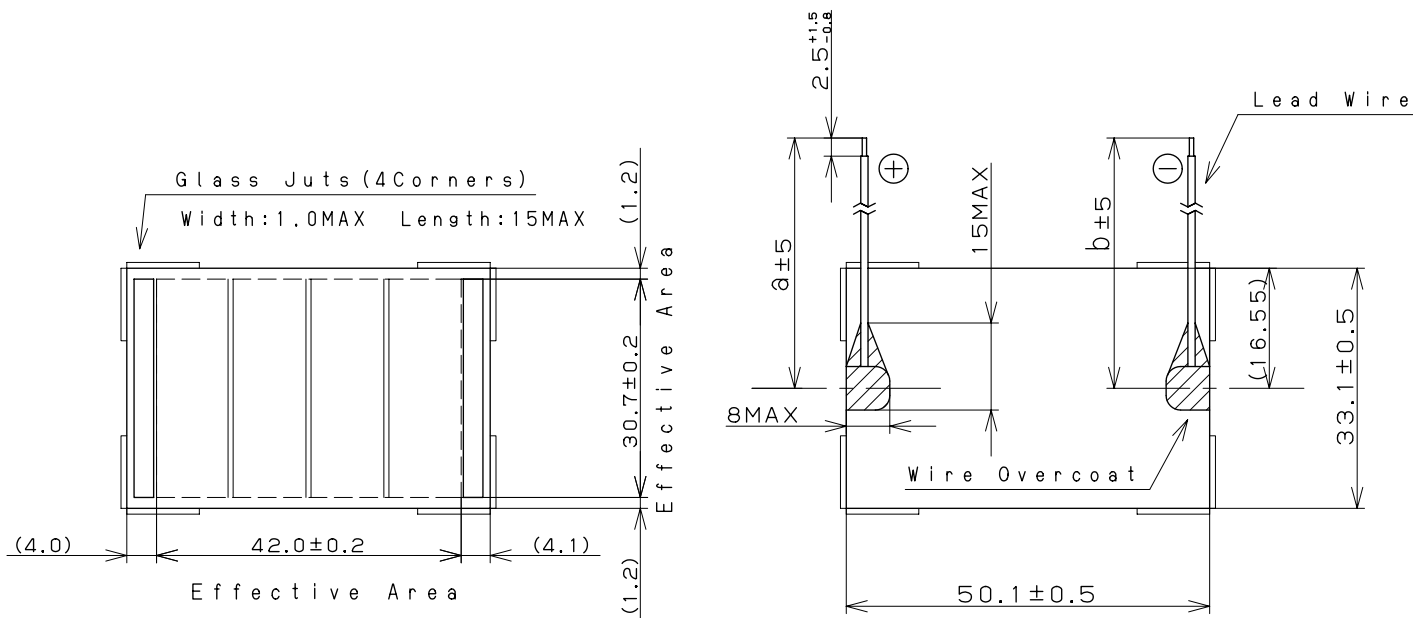


Model : AM-5412CAR

1. Outside dimensions 外形寸法

Light Receiving Side (受光面)

Overcoat Side (オーバーコート面)



(dimension:mm)

Lead Wires : AWG30	
a:100	b:100

Note

Glass Substrate Thickness (ガラス基板厚) : 1.8mm±0.2
 Module Thickness (モジュール厚) : 2.2mmMAX
 Wire-Overcoat Thickness: 3.3mmMAX (including Module)
 (リード線補正コート厚)

2. Rated Specifications (at 25°C)

Item	Specifications (Initial)		
2.1 Open circuit voltage: Voc 開放電圧	Typical	3.4V	at 50kLx SS
2.2 Short circuit Current: Isc 短絡電流	Typical	19.4mA	at 50kLx SS
2.3 Operating Voltage & Operating Current: Vope-Iope 動作特性	Minimum	2.0V - 13.5mA	at 50kLx SS
	Typical	2.2V - 17.9mA	at 50kLx SS
	Typical	2.2V - 39.8mA	at AM-1.5 100mW/cm²
2.4 Maximum output: Pmax & optimum operating Volt: Vop optimum operating Current: Iop 最大出力	(reference)	44mW	Vop=2.6V Iop=16.9mA at 50kLx SS
	(reference)	93mW	Vop=2.6V Iop=35.8mA at AM-1.5 100mW/cm²
2.5 Working temperature range: Topr 動作温度範囲	-10 to 60°C		
2.6 Storage temperature range: Tstg 保存温度範囲	-20 to 70°C		

SS: Solar Simulator

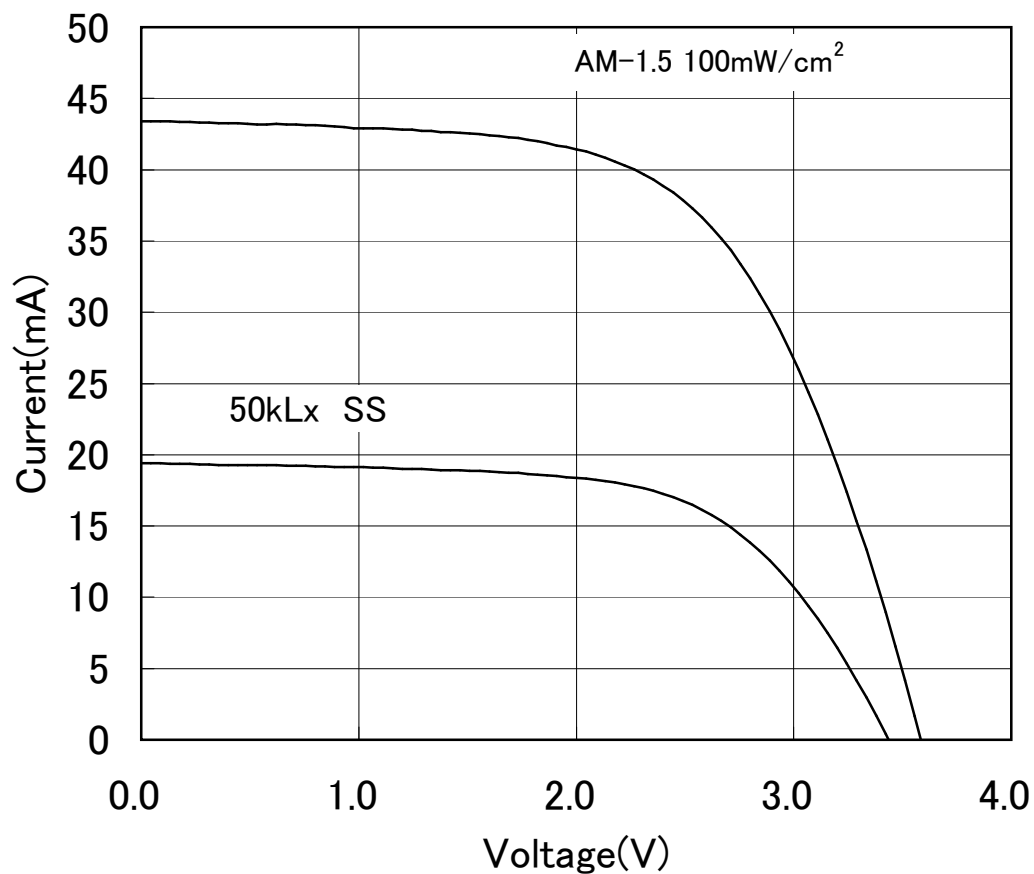
I - V Characteristics

REFERENCE

1.Model : AM-5412

2.Outside Dimension : 50.1mm × 33.1mm

SS:Solar Simulator



*このデータは標準的な出力特性を示すものであり、特性を保証するものではありません。

*The data are meant to show standard electric characteristics only , not intended to guarantee the characteristics.

Panasonic Eco Solutions Amorton Co.,Ltd.

2014/1/10

出力の照度依存特性

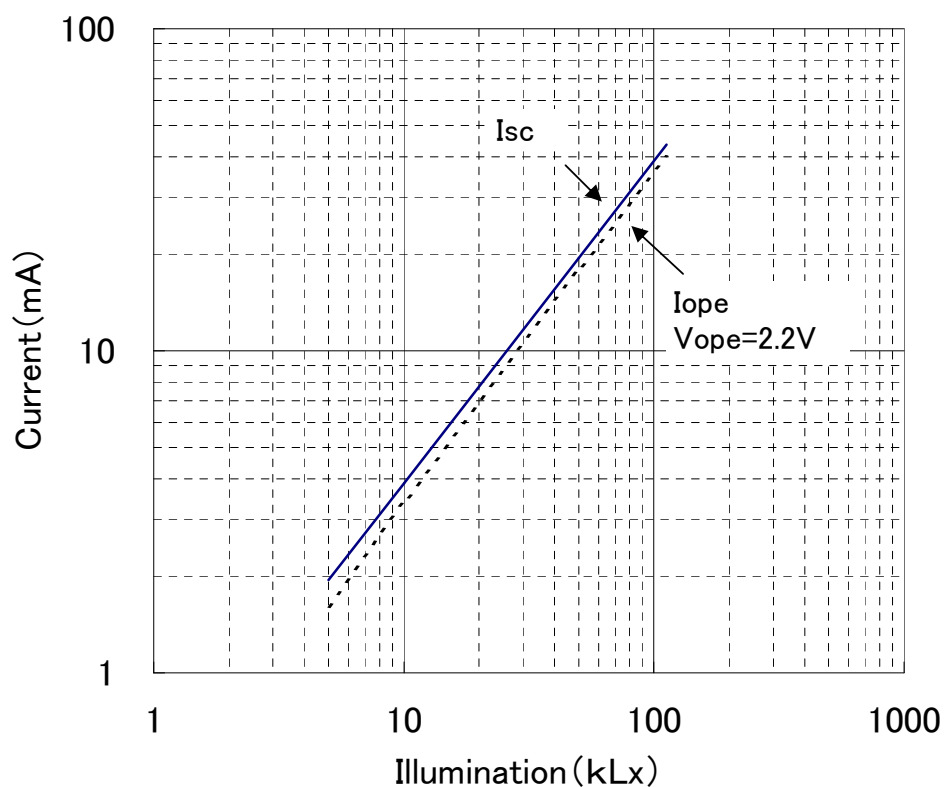
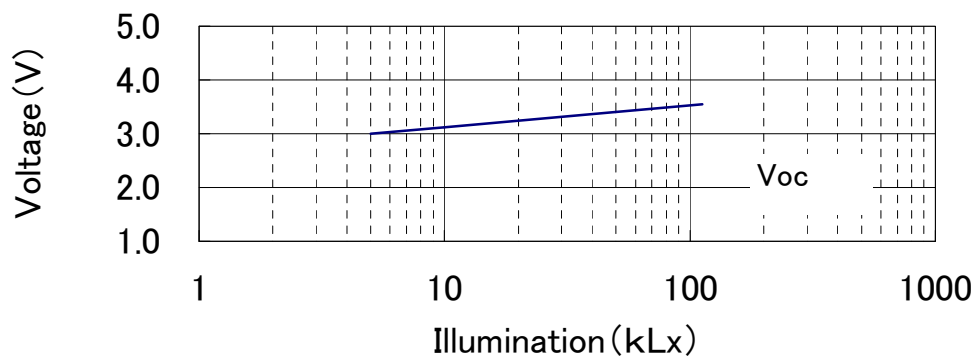
REFERENCE

Dependence of Output on Illumination

1.Model : AM-5412

2.Outside Dimension : 50.1mm × 33.1mm

SS:Solar Simulator



*このデータは標準的な出力特性を示すものであり、特性を保証するものではありません。

*The data are meant to show standard electric characteristics only , not intended to guarantee the characteristics.