

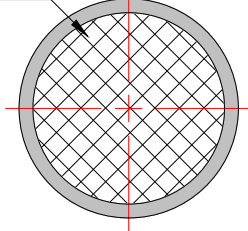
1. SPECIFICATIONS

AMB-O40J38-1FWH-IP67

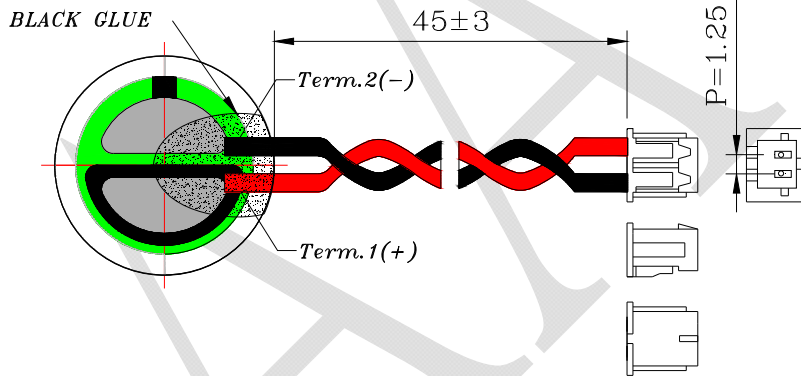
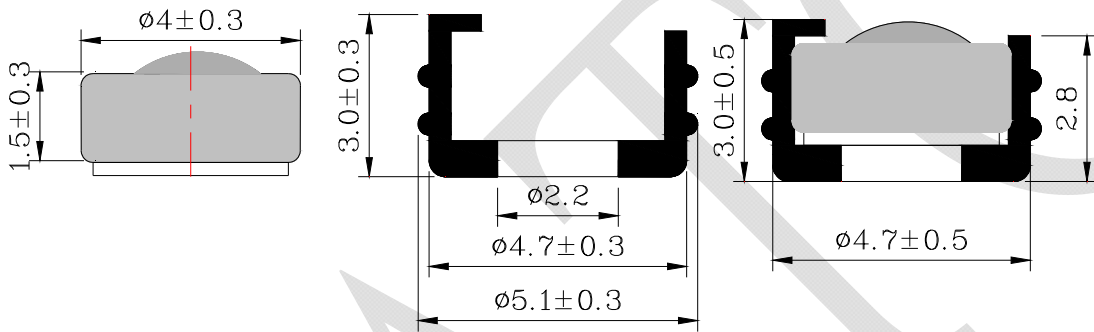
01	Sensitivity	-38±3dB (0dB=1V/Pa,1KHz)
02	Standard Operation Voltage	2.0 V
03	Output Impedance	2.2 KΩ
04	Directivity	Omni directional
05	Frequency Range	100 - 10K Hz
06	Max. Operation Voltage	10V
07	Current Consumption	Max.0.5mA
08	Sensitivity Reduction	Within -3dB 0dB=1V/Pa,1KHz Vs=2.0to 1.5V
09	S/N Ratio	≥58dB
10	Sound Pressure Level	110 dB
11	Operating Temperature	-20~+60°C
12	Storage Temperature	-25~+70°C

REV NO.	REVISION NOTE	APPROVAL	DATE
---------	---------------	----------	------

Waterproof(White IP67)



Wire: UL 1571.AWG30#
 Connector: Equivalent to Molex 51021-0200
 Holder: DD-EQ-JTA51-06



RoHS

TITLE: MICROPHONE	DRAWN: Jack	2018/11/05	SCALE: 5:1	SHEET: 1 of 1
PART NO. AMB-040J38-1FWH-IP67	DESIGNED: R & D OF AAT		UNITS: mm	
DWG NO. *****	CHECKED:		TOLERANCE ± 0.5	
	APPROVAL:		UNLESS OTHERWISE SPECIFIED: ONE PLACE DECIMAL ± *** TWO PLACE DECIMAL ± *** THREE PLACE DECIMAL ± ***	
REV	MATERIAL: AL			



ADVANCED ACOUSTIC TECHNOLOGY CORPORATION