

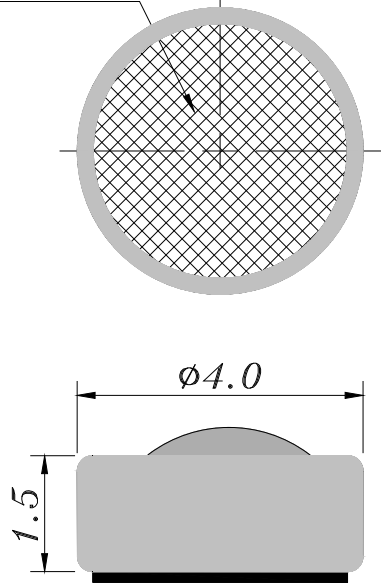
1. SPECIFICATIONS

AMB-O40J38-CWH-IP67

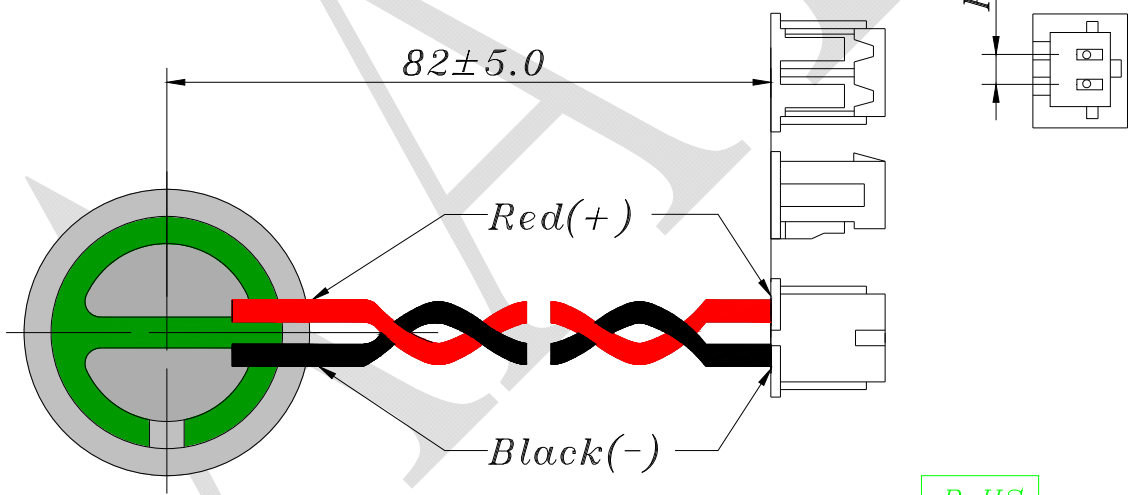
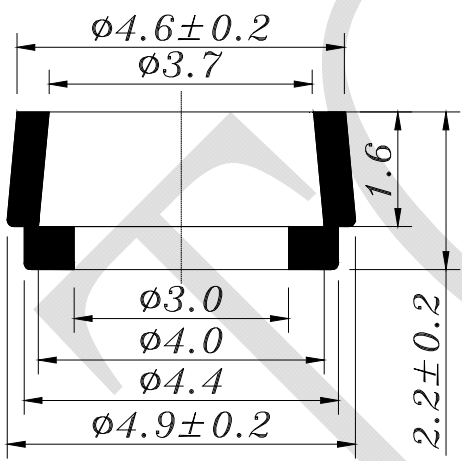
01	Electret's Type	Back type
02	Sensitivity	-38±3dB (0dB=1V/Pa,1KHz)
03	Standard Operation Voltage	2.0 V
04	Output Impedance	2.2 KΩ
05	Directivity	Omni directional
06	Frequency Range	100 - 20K Hz
07	Max. Operation Voltage	10V
08	Current Consumption	Max.0.5mA
09	Sensitivity Reduction	Within -3dB 0dB=1V/Pa,1KHz Vs=2.0to 1.5V
10	S/N Ratio	≥ 58dB
11	Operating Temperature	-20~+70°C
12	Storage Temperature	-30~+70°C

REV NO.	REVISION NOTE	APPROVAL	DATE
---------	---------------	----------	------

Waterproof (White, IP67)



Wires: UL1571,32#AWG;
 Connector: Molex 51021-0200 Equivalent .
 Holder: DD-EQ-JTA49-07



RoHS

TITLE: MICROPHONE	DRAWN: <i>Zack</i> 2013/11/13	SCALE: 5:1	SHEET: 1 of 1
PART NO. AMB-040J38-CWH-IP67	DESIGNED: R & D OF AAT	UNITS: mm	
DWG NO. B4015AL-SFN-D80-M	3 REV	CHECKED:	TOLERANCE ± 0.3
		APPROVAL:	UNLESS OTHERWISE SPECIFIED: ONE PLACE DECIMAL ± ***
		MATERIAL: *****	TWO PLACE DECIMAL ± *** THREE PLACE DECIMAL ± ***



ADVANCED ACOUSTIC TECHNOLOGY CORPORATION