

1. SPECIFICATIONS

AMB-O40J40-CWH2-IP67

01	Electret's Type	Back type	
02	Sensitivity	-40±3dB (0dB=1V/Pa,1KHz)	
03	Standard Operation Voltage	2.0 V	
04	Output Impedance	2.2 KΩ	
05	Directivity	Omni directional	
06	Frequency Range	100 - 20K Hz	
07	Max. Operation Voltage	10V	
08	Current Consumption	Max.0.5mA	
09	Sensitivity Reduction	Within -3dB 0dB=1V/Pa,1KHz Vs=2.0to 1.5V	
10	S/N Ratio	≥58dB	
11	Operating Temperature	-20~+60°C	
12	Storage Temperature	-30~+70°C	
13	Dustproof Standards	IP6X	Totally protected against dust.
	Waterproof Standards	IPX7	Protected against the effects of immersion between 15cm and 1M.

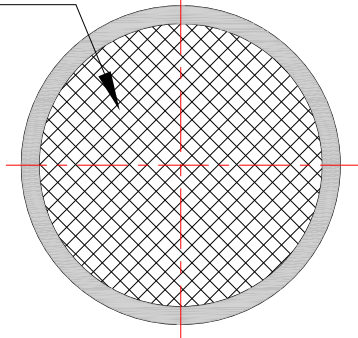
REV NO.

REVISION NOTE

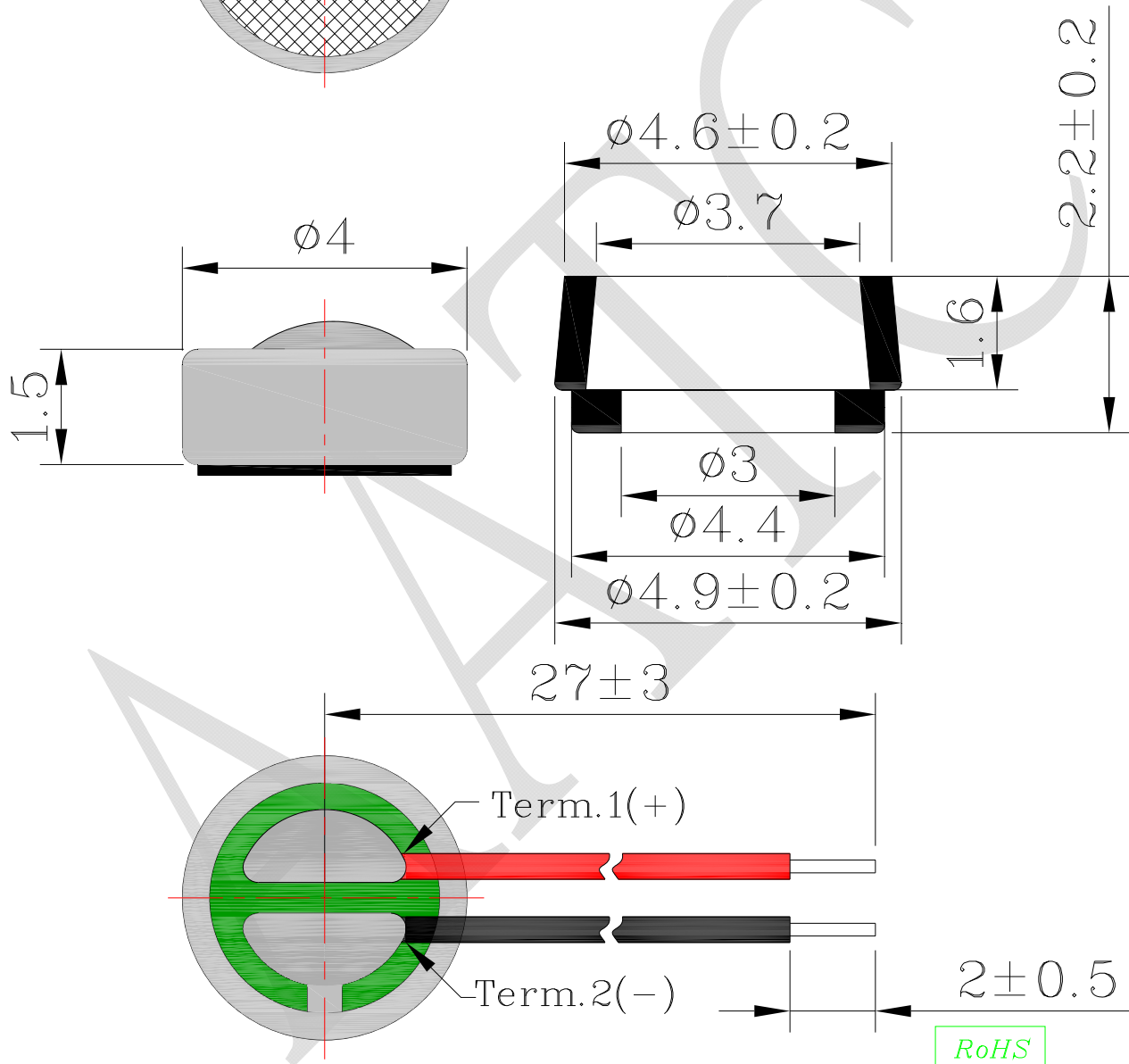
APPROVAL

DATE

Waterproof (White, IP67)



Wires: UL1571, 32#AWG;
 DD-EQ-YX-027-8
 Holder: DD-EQ-JTA49-07



RoHS

TITLE: MICROPHONE		DRAWN: Jerry 2012/07/23	SCALE: 5:1	SHEET: 1 of 1
PART NO. AMB-040J40-CWH2-IP67		DESIGNED: R & D OF AAT	UNITS: mm	
DWG NO. B4015AL-SFN-27-M 9486	1 REV	CHECKED:	TOLERANCE ± 0.3	
		APPROVAL:	UNLESS OTHERWISE SPECIFIED:	
		MATERIAL: *****	ONE PLACE DECIMAL \pm ***	
			TWO PLACE DECIMAL \pm ***	
			THREE PLACE DECIMAL \pm ***	



ADVANCED ACOUSTIC TECHNOLOGY CORPORATION