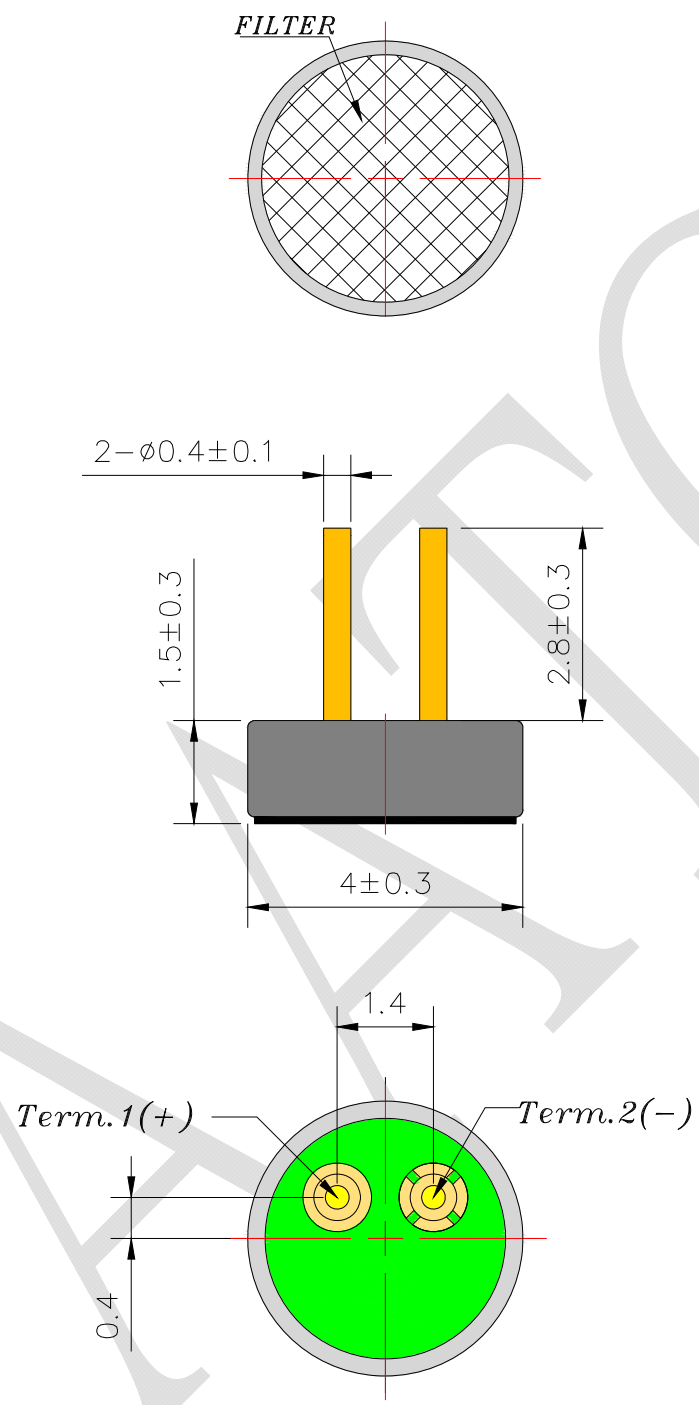


1. SPECIFICATIONS

AMB-O40J42-1FB

01	Electret's Type	Foil type
02	Sensitivity	-42±3dB (0dB=1V/Pa,1KHz)
03	Standard Operation Voltage	2.0 V
04	Output Impedance	2.2 KΩ
05	Directivity	Omni directional
06	Frequency Range	100 - 20K Hz
07	Max. Operation Voltage	10V
08	Current Consumption	Max.0.5mA
09	Sensitivity Reduction	Within -3dB 0dB=1V/Pa,1KHz Vs=2.0to 1.5V
10	S/N Ratio	≥58dB
11	Sound Pressure Level	110 dB
12	Operating Temperature	-40~+85°C
13	Storage Temperature	-40~+85°C

REV NO.	REVISION NOTE	APPROVAL	DATE
---------	---------------	----------	------



TITLE:	MICROPHONE	DRAWN:	Moose	2016/03/01	SCALE:	5:1	SHEET:	1 of 1
PART NO.	AMB-040J42-1FB	DESIGNED:	R & D OF AAT		UNITS:	mm		
DWG NO.	T4015AP-SYG	CHECKED:			TOLERANCE	± 0.5		
		APPROVAL:			UNLESS OTHERWISE SPECIFIED:	ONE PLACE DECIMAL \pm ***		
		MATERIAL:	AI			TWO PLACE DECIMAL \pm ***		
								THREE PLACE DECIMAL \pm ***



ADVANCED ACOUSTIC TECHNOLOGY CORPORATION