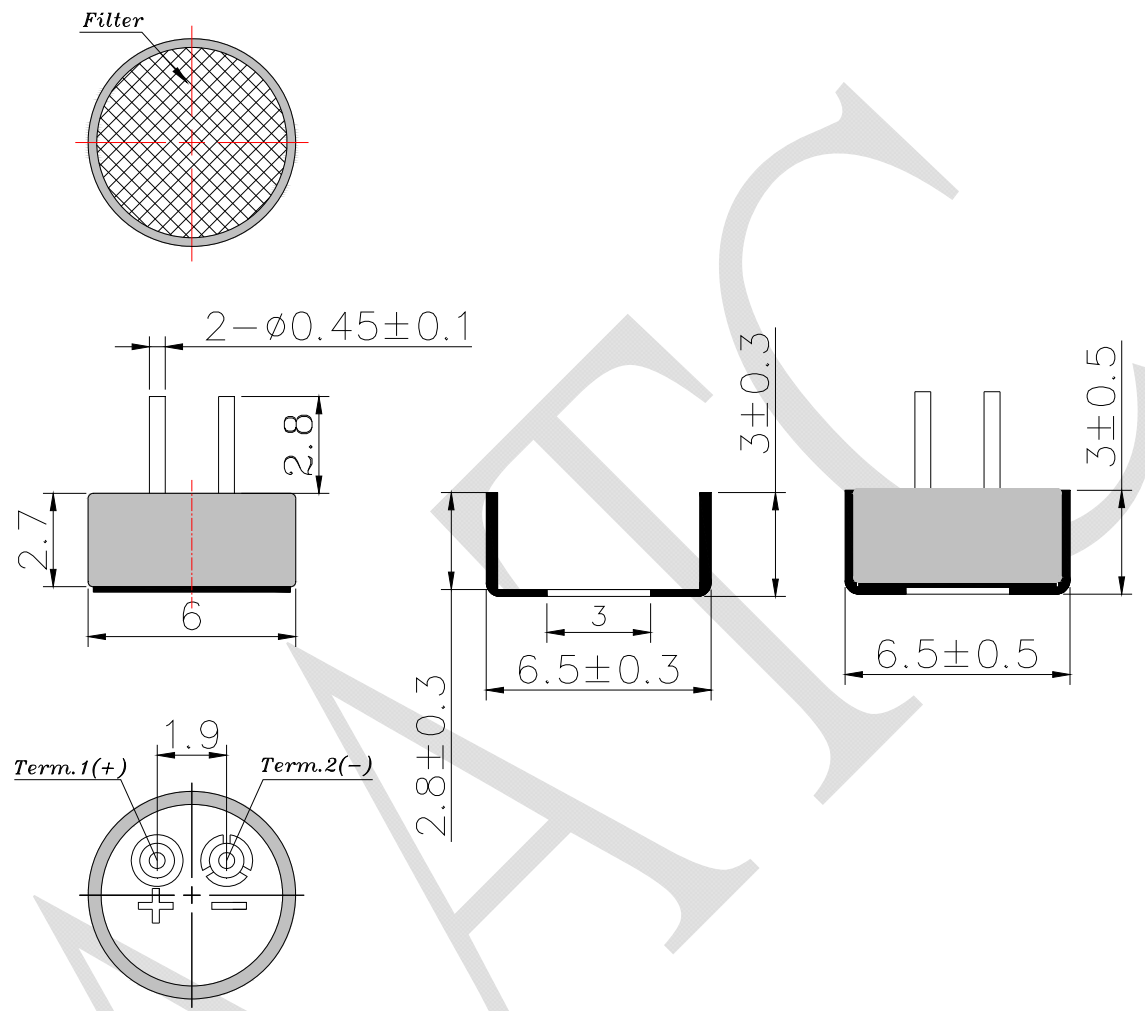


1. SPECIFICATIONS

AMB-O60F25-1ABH

01	Electret's Type	Foil type
02	Sensitivity	-25±3dB (0dB=1V/Pa,1KHz)
03	Standard Operation Voltage	2.0 V
04	Output Impedance	2.2 KΩ
05	Directivity	Omni directional
06	Frequency Range	100 - 10K Hz
07	Max. Operation Voltage	10V
08	Current Consumption	Max.0.5mA
09	Sensitivity Reduction	Within -3dB 0dB=1V/Pa,1KHz Vs=2.0to 1.5V
10	S/N Ratio	≥58dB
11	Sound Pressure Level	110 dB
12	Operating Temperature	-20~+60°C
13	Storage Temperature	-25~+70°C

REV NO.	REVISION NOTE	APPROVAL	DATE
---------	---------------	----------	------



Holder:DD-EQ-JTC65-01

RoHS

TITLE:	MICROPHONE	DRAWN:	<i>Jack</i> 2017/03/30	SCALE:	5:1	SHEET:	1 of 1
PART NO.	AMB-060F25-1ABH	DESIGNED:	R & D OF AAT	UNITS:	mm	TOLERANCE	± 0.3
DWG NO.	B6027AP-STCP-M 11735	CHECKED:		UNLESS OTHERWISE SPECIFIED:			
		APPROVAL:		ONE PLACE DECIMAL \pm ***			
		MATERIAL:	AL	TWO PLACE DECIMAL \pm ***			
		REV	2	THREE PLACE DECIMAL \pm ***			



ADVANCED ACOUSTIC TECHNOLOGY CORPORATION