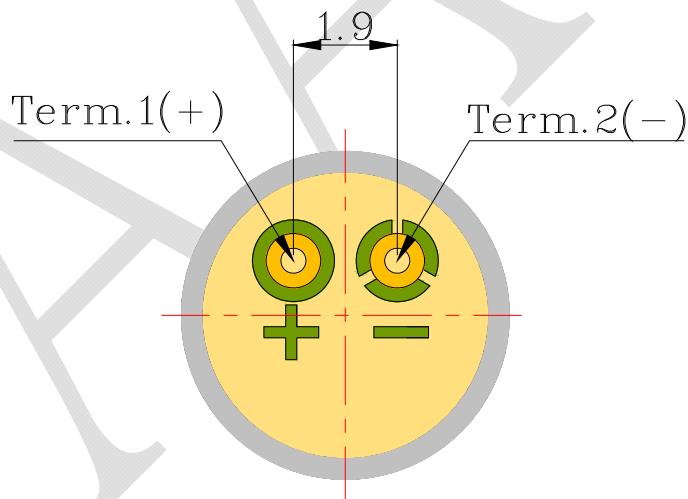
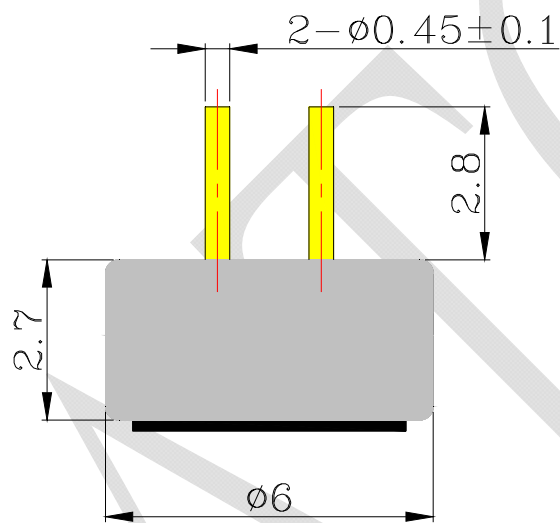
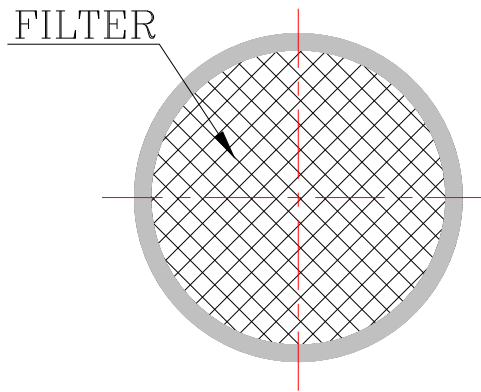


## 1. SPECIFICATIONS

AMB-O60F25-CB1

01	Electret's Type	Back type
02	Sensitivity	-25±3dB (0dB=1V/Pa,1KHz)
03	Standard Operation Voltage	2.0 V
04	Output Impedance	2.2 KΩ
05	Directivity	Omni directional
06	Frequency Range	100 - 20K Hz
07	Max. Operation Voltage	10V
08	Current Consumption	Max.0.5mA
09	Sensitivity Reduction	Within -3dB 0dB=1V/Pa,1KHz Vs=2.0to 1.5V
10	S/N Ratio	≥65dB
11	Sound Pressure Level	110 dB
12	Operating Temperature	-20~+60°C
13	Storage Temperature	-25~+70°C

REV NO.	REVISION NOTE	APPROVAL	DATE
---------	---------------	----------	------



RoHS

TITLE: MICROPHONE		DRAWN: <i>Jerry</i> 2014/01/09	SCALE: 5:1	SHEET: 1 of 1
PART NO. AMB-060F25-CB1		DESIGNED: R & D OF AAT	UNITS: mm	
DWG NO. B6027AP-STN		CHECKED:	TOLERANCE ± 0.3	
		APPROVAL:	UNLESS OTHERWISE SPECIFIED:	
REV 1		MATERIAL: *****	ONE PLACE DECIMAL ± ***	
			TWO PLACE DECIMAL ± ***	
			THREE PLACE DECIMAL ± ***	



ADVANCED ACOUSTIC TECHNOLOGY CORPORATION