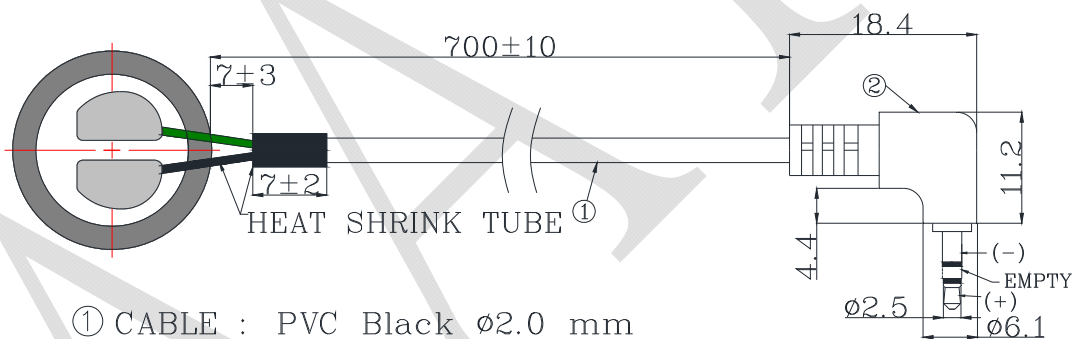
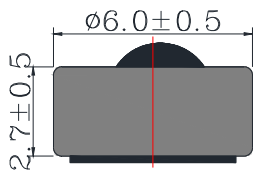
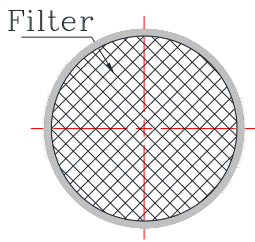


1. SPECIFICATIONS

AMB-O60F36-4CW

| | | |
|----|----------------------------|--|
| 01 | Electret's Type | Foil type |
| 02 | Sensitivity | -36±3dB (0dB=1V/Pa,1KHz) |
| 03 | Standard Operation Voltage | 2.0 V |
| 04 | Output Impedance | 2.2 KΩ |
| 05 | Directivity | Omni directional |
| 06 | Frequency Range | 100 - 20K Hz |
| 07 | Max. Operation Voltage | 10V |
| 08 | Current Consumption | Max.0.5mA |
| 09 | Sensitivity Reduction | Within -3dB 0dB=1V/Pa,1KHz Vs=2.0to 1.5V |
| 10 | S/N Ratio | ≥58dB |
| 11 | Sound Pressure Level | 110 dB |
| 12 | Operating Temperature | -20~+60°C |
| 13 | Storage Temperature | -20~+70°C |

| | | | |
|---------|---------------|----------|------|
| REV NO. | REVISION NOTE | APPROVAL | DATE |
|---------|---------------|----------|------|



① CABLE : PVC Black ϕ 2.0 mm

② L-TYPE PLUG : Black 2.5 ϕ 3Pole ,Plating Ni

RoHS

| | | | | |
|---|--|-------------------------------|--|---------------|
| TITLE: <i>MICROPHONE</i> | | DRAWN: <i>Hank</i> 2019/10/18 | SCALE: 5:1 | SHEET: 1 of 1 |
| PART NO. <i>AMB-060F36-4CW</i> | | DESIGNED: R & D OF AAT | UNITS: mm | |
| DWG NO. <i>HX-HOB6027CW1033-E25-700-S</i> | | CHECKED: | TOLERANCE \pm 0.3 | |
| | | APPROVAL: | UNLESS OTHERWISE SPECIFIED: ONE PLACE DECIMAL \pm *** TWO PLACE DECIMAL \pm *** THREE PLACE DECIMAL \pm *** | |
| REV 2 | | MATERIAL: AL | | |



ADVANCED ACOUSTIC TECHNOLOGY CORPORATION