

## 1. SPECIFICATIONS

AMB-O60F42-NA

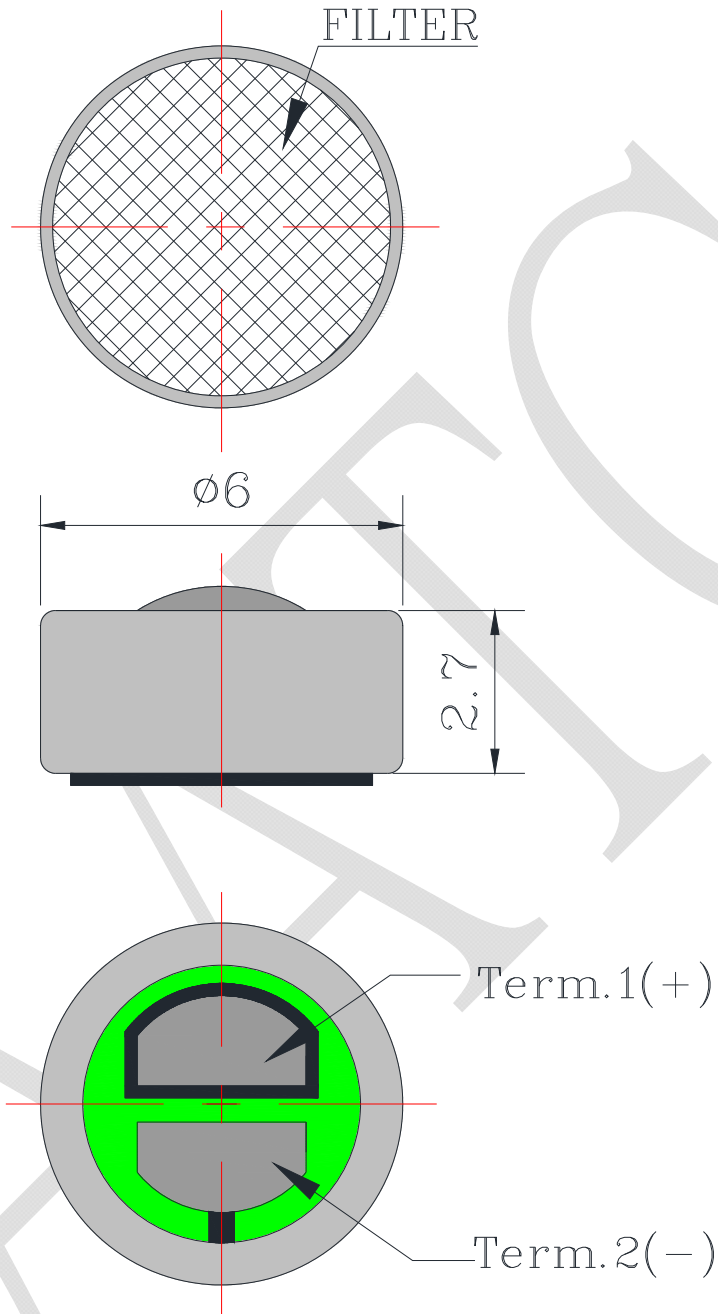
01	Electret's Type	Back type
02	Sensitivity	-42±3dB (0dB=1V/Pa,1KHz)
03	Standard Operation Voltage	2.0 V
04	Output Impedance	2.2 KΩ
05	Directivity	Omni directional
06	Frequency Range	100 - 20K Hz
07	Max. Operation Voltage	10V
08	Current Consumption	Max.0.5mA
09	Sensitivity Reduction	Within -3dB 0dB=1V/Pa,1KHz Vs=2.0to 1.5V
10	S/N Ratio	≥58dB
11	Sound Pressure Level	110 dB
12	Operating Temperature	-20~+60°C
13	Storage Temperature	-30~+70°C

REV NO.

REVISION NOTE

APPROVAL

DATE



RoHS

TITLE: <i>MICROPHONE</i>		DRAWN: <i>Jerry</i> 2013/01/29	SCALE: 5:1	SHEET: 1 of 1
PART NO. <i>AMB-060F42-NA</i>		DESIGNED: <i>R &amp; D OF AAT</i>	UNITS: <i>mm</i>	
DWG NO. <i>B6027AL-SD 4887</i>	1 REV	CHECKED:	TOLERANCE $\pm 0.3$	
		APPROVAL:	UNLESS OTHERWISE SPECIFIED:	
		MATERIAL: <i>*****</i>	ONE PLACE DECIMAL $\pm$ ***	
			TWO PLACE DECIMAL $\pm$ ***	
			THREE PLACE DECIMAL $\pm$ ***	



ADVANCED ACOUSTIC TECHNOLOGY CORPORATION