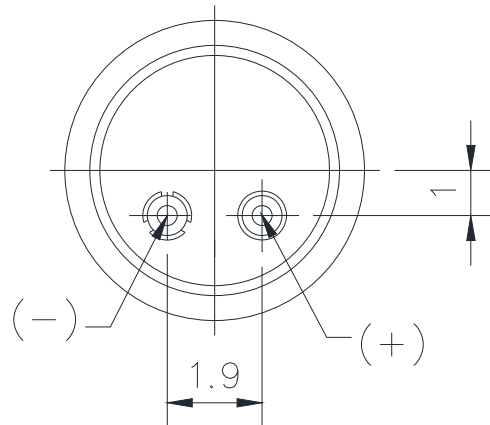
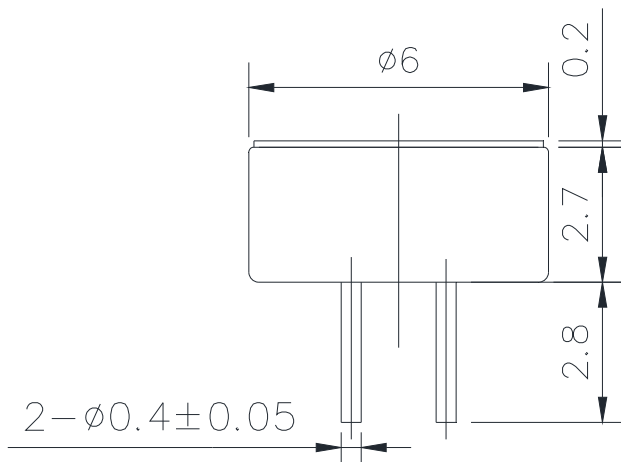
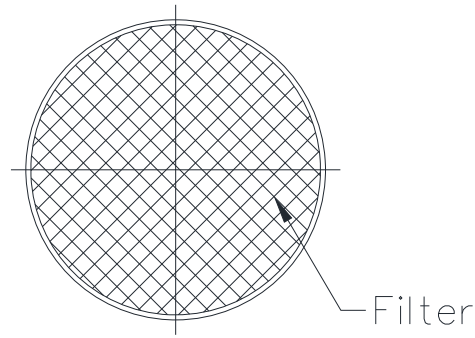


## 1. SPECIFICATIONS

AMB-O60F42-NB1-LF

01	Electret Type	BACK type
02	Sensitivity	-42±3dB (0dB=1V/Pa,1KHz) Band form 300 to 3K Hz
03	Output Impedance (Max)	2.2KΩ
04	Directivity	Omnidirectional
05	Frequency Range	70-20,000Hz
06	Max.Operation Voltage	10V
07	Standard Operation Voltage	2.0V
08	Current Consumption	Max.0.5mA
09	Sensitivity Reduction	Within -3dB 0dB=1V/Pa,1KHz Vs=2.0 to 1.5V
10	S/N Ratio	> 58dB
11	Operating Temperature	-20~+60°C
12	Storage Temperature	-30~+70°C



TITLE: <b>MICROPHONE</b>		DRAWN: <i>JOHN</i> 08/04/2006	SCALE: 5:1	SHEET: 1 of 1
PART NO. <b>AMB-060F42-NB1-LF</b>	<b>1</b>	DESIGNED: R & D OF AAT	UNITS: mm	
DWG NO. <b>DTM-1221</b>		CHECKED:	TOLERANCE $\pm 0.2$	
	REV	APPROVAL:	UNLESS OTHERWISE SPECIFIED:	
		MATERIAL: *****	ONE PLACE DECIMAL $\pm$ ***	
			TWO PLACE DECIMAL $\pm$ ***	
			THREE PLACE DECIMAL $\pm$ ***	

