

## 1. SPECIFICATIONS

AMB-O60G40-NB

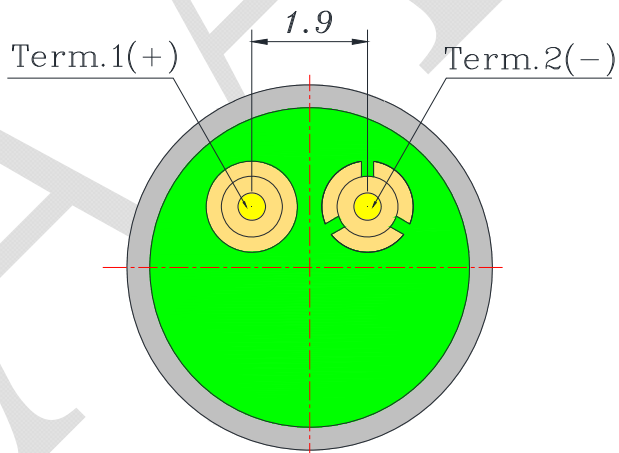
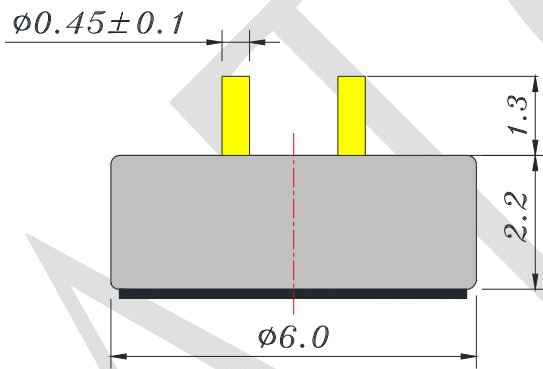
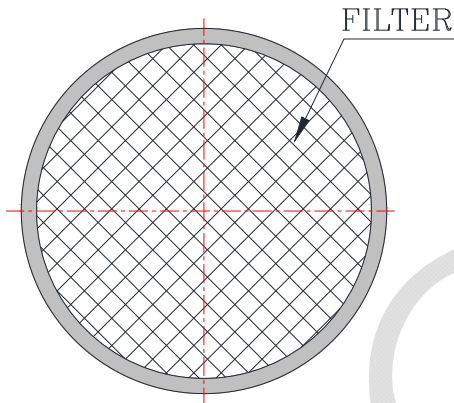
01	Electret's Type	Back type
02	Sensitivity	-40±3dB (0dB=1V/Pa,1KHz)
03	Standard Operation Voltage	2.0 V
04	Output Impedance	2.2 KΩ
05	Directivity	Omni directional
06	Frequency Range	100 - 20K Hz
07	Max. Operation Voltage	10V
08	Current Consumption	Max.0.5mA
09	Sensitivity Reduction	Within -3dB 0dB=1V/Pa,1KHz Vs=2.0to 1.5V
10	S/N Ratio	≥58dB
11	Sound Pressure Level	110 dB
12	Operating Temperature	-20~+60°C
13	Storage Temperature	-30~+70°C

REV NO.

REVISION NOTE

APPROVAL

DATE



RoHS

TITLE: MICROPHONE		DRAWN: Jerry 2014/03/25	SCALE: 5:1	SHEET: 1 of 1
PART NO. AMB-060G40-NB	2	DESIGNED: R & D OF AAT	UNITS: mm	
DWG NO. B6022AP-SD 4888		CHECKED:	TOLERANCE $\pm 0.3$	
	REV	APPROVAL:	UNLESS OTHERWISE SPECIFIED: ONE PLACE DECIMAL $\pm$ *** TWO PLACE DECIMAL $\pm$ *** THREE PLACE DECIMAL $\pm$ ***	
		MATERIAL: AL		



ADVANCED ACOUSTIC TECHNOLOGY CORPORATION