

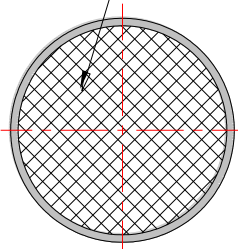
1. SPECIFICATIONS

AMB-O60G42-CWH4-IP67

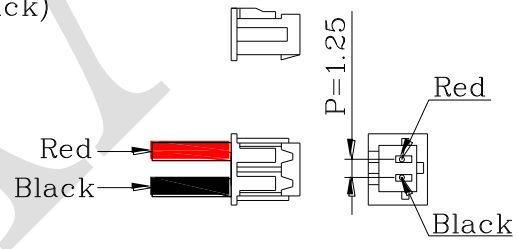
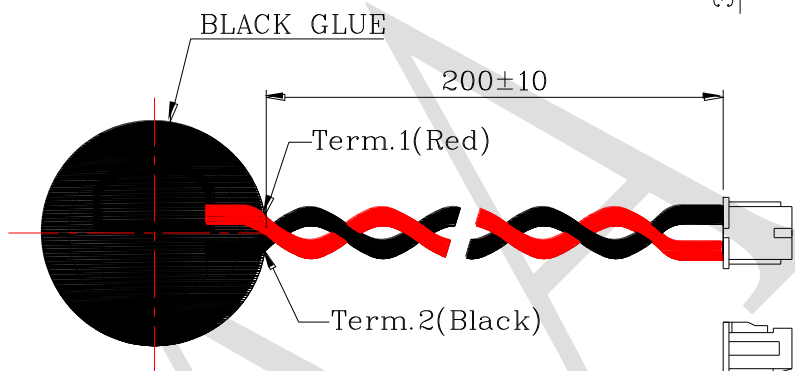
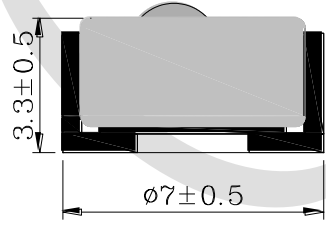
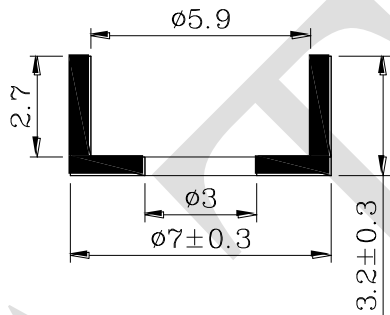
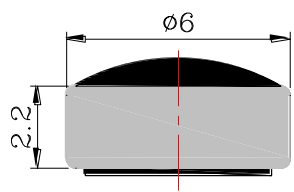
01	Electret's Type	Back type
02	Sensitivity	-42±3dB (0dB=1V/Pa,1KHz)
03	Standard Operation Voltage	2.0 V
04	Output Impedance	2.2 KΩ
05	Directivity	Omni directional
06	Frequency Range	100 - 20K Hz
07	Max. Operation Voltage	10V
08	Current Consumption	Max.0.5mA
09	Sensitivity Reduction	Within -3dB 0dB=1V/Pa,1KHz Vs=2.0to 1.5V
10	S/N Ratio	≥58dB
11	Sound Pressure Level	110 dB

REV NO.	REVISION NOTE	APPROVAL	DATE
---------	---------------	----------	------

White Waterproof Cloth(IP67)



Wire: UL1571,30#AWG
 Connector: Equivalent to Molex 51021-0200
 Holder: DD-EQ-JTC70-06



RoHS

TITLE: MICROPHONE		DRAWN: <i>Zack</i> 2016/06/07	SCALE: 5:1 SHEET: 1 of 1
PART NO. AMB-060G42-CWH4-IP67		DESIGNED: R & D OF AAT	UNITS: mm
DWG NO. B6022AL-SDN-D203-M 10358	2 REV	CHECKED:	TOLERANCE ± 0.3
		APPROVAL:	UNLESS OTHERWISE SPECIFIED: ONE PLACE DECIMAL ± *** TWO PLACE DECIMAL ± *** THREE PLACE DECIMAL ± ***
		MATERIAL: AL	



ADVANCED ACOUSTIC TECHNOLOGY CORPORATION