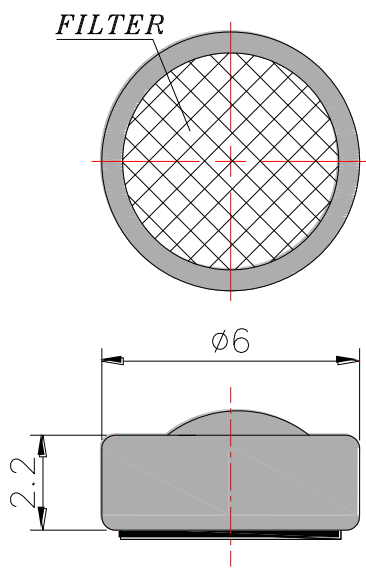


1. SPECIFICATIONS

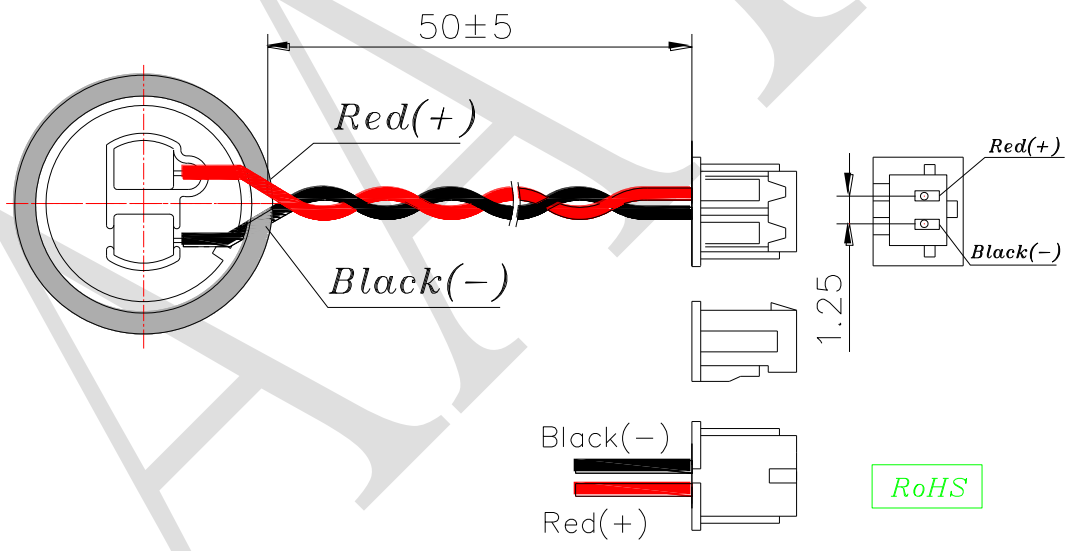
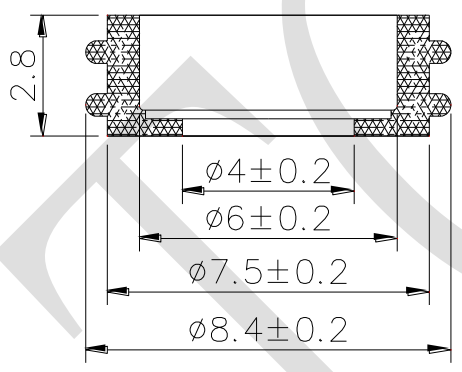
AMB-O60G42-CWH9

01	Electret's Type	Back type
02	Sensitivity	-42±3dB (0dB=1V/Pa,1KHz)
03	Standard Operation Voltage	2.0 V
04	Output Impedance	2.2 KΩ
05	Directivity	Omni directional
06	Frequency Range	100 - 20K Hz
07	Max. Operation Voltage	10V
08	Current Consumption	Max.0.5mA
09	Sensitivity Reduction	Within -3dB 0dB=1V/Pa,1KHz Vs=2.0to 1.5V
10	S/N Ratio	≥58dB
11	Sound Pressure Level	110 dB

REV NO.	REVISION NOTE	APPROVAL	DATE
---------	---------------	----------	------



Wire: UL1571,30#AWG;
CONNECTOR : Equivalent to Molex 51021-0200
Holder: TS-MT-6022-P75



TITLE: MICROPHONE	DRAWN: <i>Jack</i> 2012/07/06	SCALE: 5:1	SHEET: 1 of 1
PART NO. AMB-060G42-CWH9	DESIGNED: R & D OF AAT	UNITS: mm	TOLERANCE ± 0.3
DWG NO. TS-6022AC1033Z3-DM011-GP	2 REV	CHECKED:	UNLESS OTHERWISE SPECIFIED:
		APPROVAL:	ONE PLACE DECIMAL ± ***
	MATERIAL: *****	TWO PLACE DECIMAL ± ***	THREE PLACE DECIMAL ± ***



ADVANCED ACOUSTIC TECHNOLOGY CORPORATION