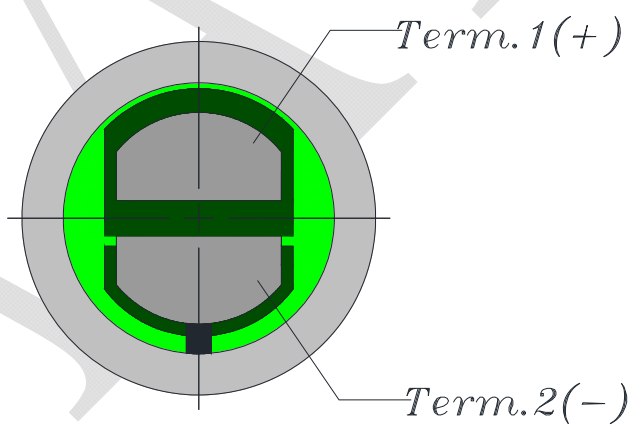
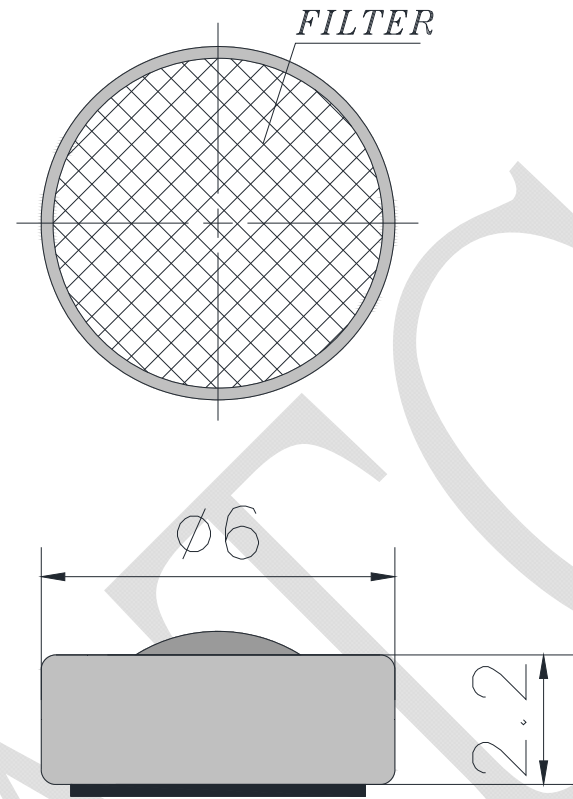


1. SPECIFICATIONS

AMB-O60G42-NA-LF

01	Electret's Type	Back type
02	Sensitivity	-42±3dB (0dB=1V/Pa,1KHz)
03	Standard Operation Voltage	2.0 V
04	Output Impedance	2.2 KΩ
05	Directivity	Omni directional
06	Frequency Range	100 - 20K Hz
07	Max. Operation Voltage	10V
08	Current Consumption	Max.0.5mA
09	Sensitivity Reduction	Within -3dB 0dB=1V/Pa,1KHz Vs=2.0to 1.5V
10	S/N Ratio	≥58dB
11	Sound Pressure Level	110 dB
12	Operating Temperature	-20~+60°C
13	Storage Temperature	-30~+70°C

REV NO.	REVISION NOTE	APPROVAL	DATE
---------	---------------	----------	------



RoHS

TITLE: <i>MICROPHONE</i>		DRAWN: <i>John</i> 2007/04/14	SCALE: 5:1	SHEET: 1 of 1
PART NO. <i>AMB-060G42-NA-LF</i>	1	DESIGNED: <i>R & D OF AAT</i>	UNITS: <i>mm</i>	
DWG NO. <i>DTM-1269</i>		CHECKED:	TOLERANCE ± 0.3	
REV		APPROVAL:	UNLESS OTHERWISE SPECIFIED: ONE PLACE DECIMAL \pm *** TWO PLACE DECIMAL \pm *** THREE PLACE DECIMAL \pm ***	
		MATERIAL: *****		



ADVANCED ACOUSTIC TECHNOLOGY CORPORATION