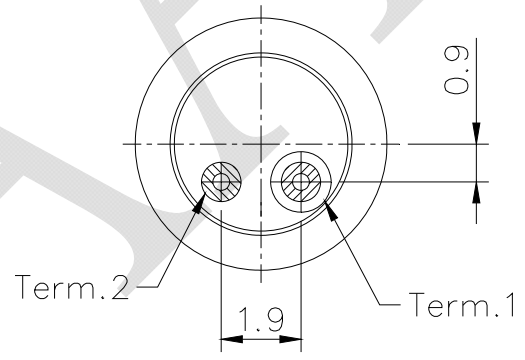
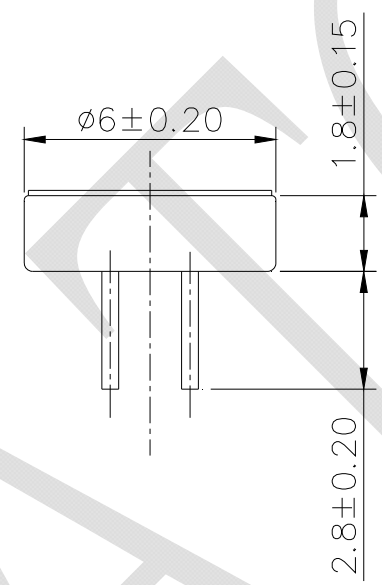
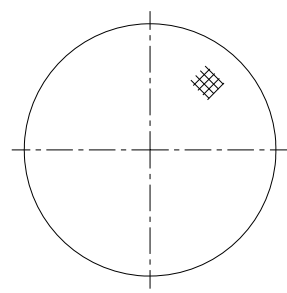


## 1. SPECIFICATIONS

AMB-O60H44-NB1

01	Electret's Type	Back type
02	Sensitivity	-44±3dB (0dB=1V/Pa,1KHz)
03	Standard Operation Voltage	2.0 V
04	Output Impedance	2.2 KΩ
05	Directivity	Omni directional
06	Frequency Range	100 - 20K Hz
07	Max. Operation Voltage	10V
08	Current Consumption	Max.0.5mA
09	Sensitivity Reduction	Within -3dB 0dB=1V/Pa,1KHz Vs=2.0to 1.5V
10	S/N Ratio	≥58dB
11	Sound Pressure Level	110 dB
12	Operating Temperature	-25~+70°C
13	Storage Temperature	-40~+70°C

REV NO.	REVISION NOTE	APPROVAL	DATE
---------	---------------	----------	------



RoHS

TITLE: <b>MICROPHONE</b>		DRAWN: <i>Jack</i> 2012/9/12	SCALE: 5:1	SHEET: 1 of 1
PART NO. <b>AMB-060H44-NB1</b>	<b>1</b>	DESIGNED: R & D OF AAT	UNITS: mm	
DWG NO. <b>B6018AP-SE-4232</b>		CHECKED:	TOLERANCE ± 0.3	
REV		APPROVAL:	UNLESS OTHERWISE SPECIFIED: ONE PLACE DECIMAL ± *** TWO PLACE DECIMAL ± *** THREE PLACE DECIMAL ± ***	
		MATERIAL: *****		



**ADVANCED ACOUSTIC TECHNOLOGY CORPORATION**