

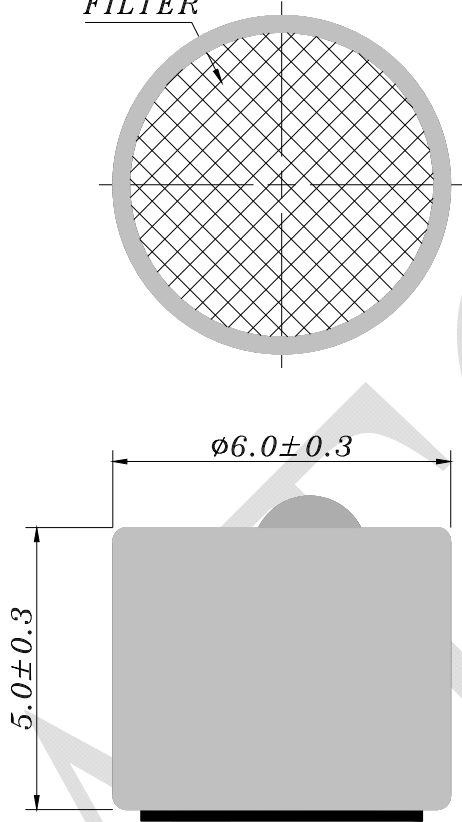
1. SPECIFICATIONS

AMB-U60C47-NA

01	Electret's Type	Back type
02	Sensitivity	-47±3dB (0dB=1V/Pa,1KHz)
03	Standard Operation Voltage	2.0 V
04	Output Impedance	2.2 KΩ
05	Directivity	Unidirectional
06	Frequency Range	100 - 10K Hz
07	Max. Operation Voltage	10V
08	Current Consumption	Max.0.5mA
09	Sensitivity Reduction	Within -3dB 0dB=1V/Pa,1KHz Vs=2.0to 1.5V
10	S/N Ratio	≥55dB
11	Sound Pressure Level	110 dB
12	Operating Temperature	-20~+60°C
13	Storage Temperature	-25~+70°C

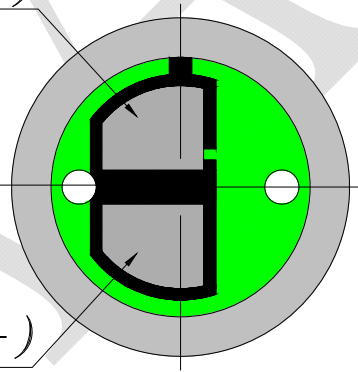
REV NO.	REVISION NOTE	APPROVAL	DATE
---------	---------------	----------	------

FILTER



Term.2(-)

Term.1(+)



RoHS

TITLE:	MICROPHONE	DRAWN:	<i>Jack</i>	2017/07/14	SCALE:	5:1	SHEET:	1 of 1
PART NO.	AMB-U60C47-NA	DESIGNED:	R & D OF AAT		UNITS:	mm		
DWG NO.	B6050UL-SD 4730	3 REV	CHECKED:		TOLERANCE ± 0.3			
			APPROVAL:		UNLESS OTHERWISE SPECIFIED:			
			MATERIAL:	AL	ONE PLACE DECIMAL ± ***			
					TWO PLACE DECIMAL ± ***			
					THREE PLACE DECIMAL ± ***			



ADVANCED ACOUSTIC TECHNOLOGY CORPORATION