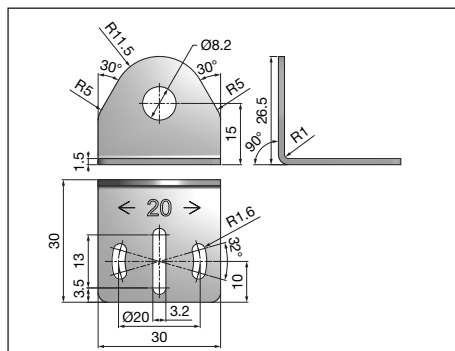
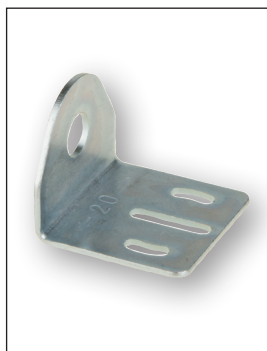


General Accessories Mounting Brackets

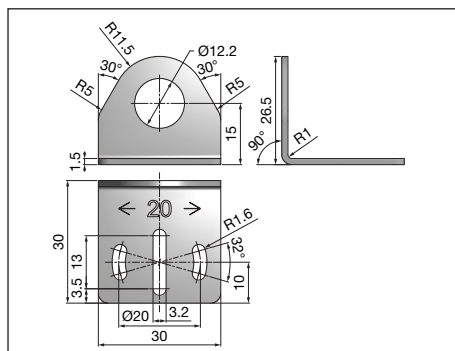
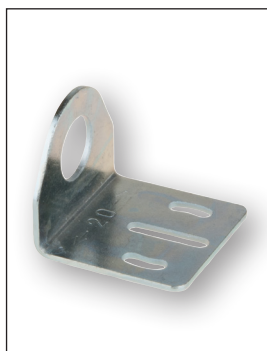


Type AMB8 Angled



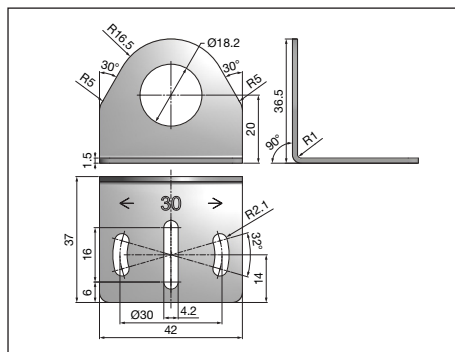
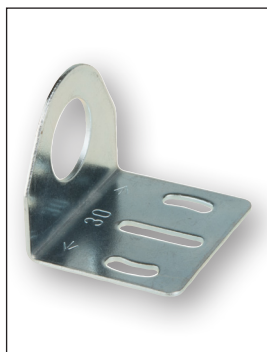
Ordering no.	AMB8-A
Material	Steel, galvanized

Type AMB12 Angled



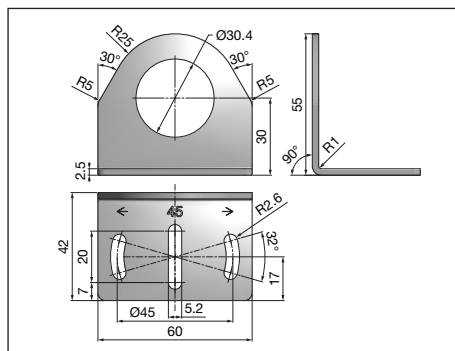
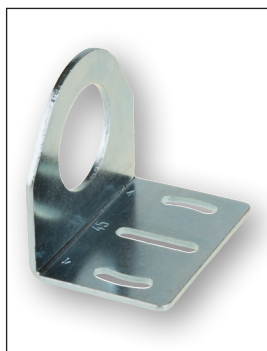
Ordering no.	AMB12-A
Material	Steel, galvanized
Ordering no.	AMB12-A316L
Material	Stainless Steel AISI316L (DIN 1.4404)

Type AMB18 Angled



Ordering no.	AMB18-A
Material	Steel, galvanized
Ordering no.	AMB18-A316L
Material	Stainless Steel AISI316L (DIN 1.4404)

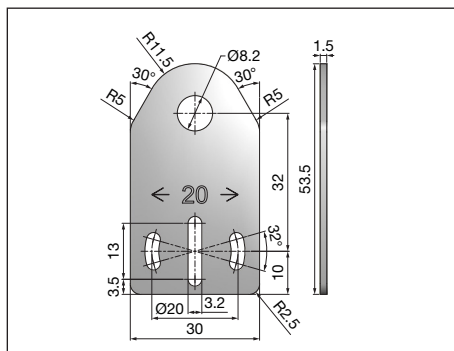
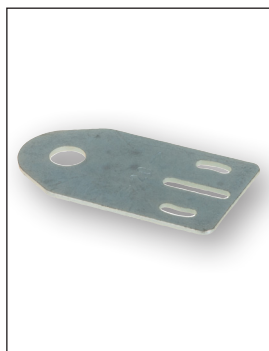
Type AMB30 Angled



Ordering no.	AMB30-A
Material	Steel, galvanized

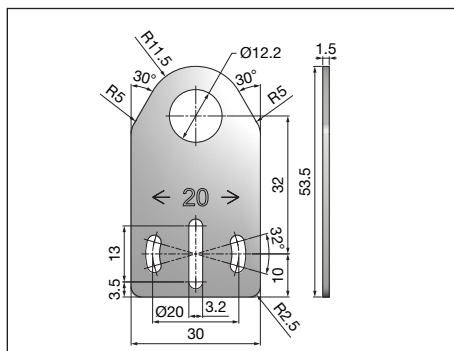
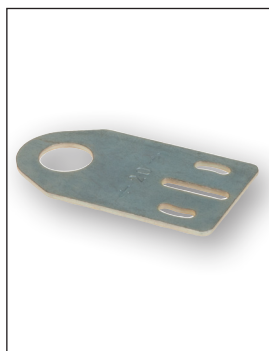


Type AMB8 Straight



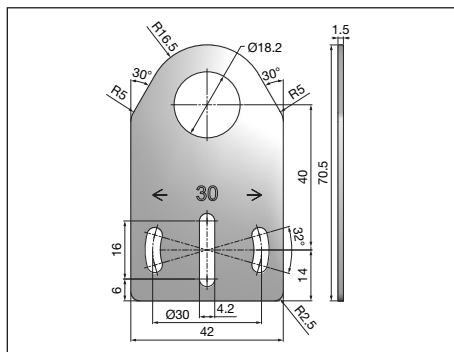
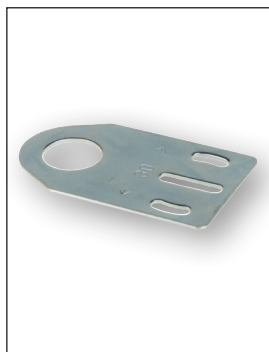
Ordering no.	AMB8-S
Material	Steel, galvanized

Type AMB12 Straight



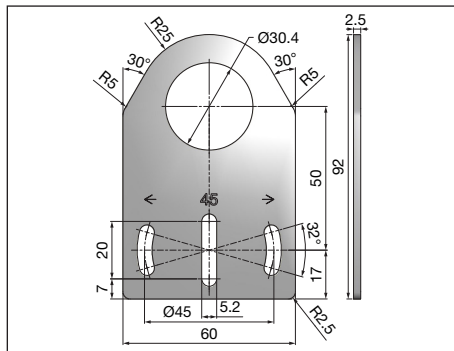
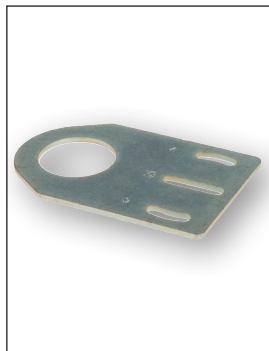
Ordering no.	AMB12-S
Material	Steel, galvanized
Ordering no.	AMB12-S316L
Material	Stainless Steel AISI316L (DIN 1.4404)

Type AMB18 Straight



Ordering no.	AMB18-S
Material	Steel, galvanized
Ordering no.	AMB18-S316L
Material	Stainless Steel AISI316L (DIN 1.4404)

Type AMB30 Straight



Ordering no.	AMB30-S
Material	Steel, galvanized