

## 1. SPECIFICATIONS

AMF-N60C50-NA

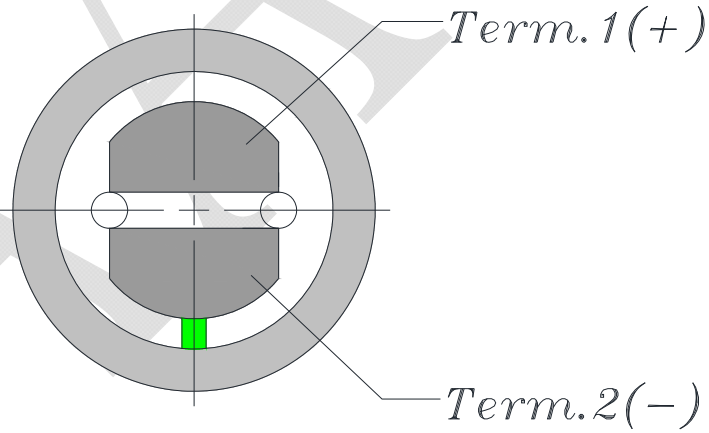
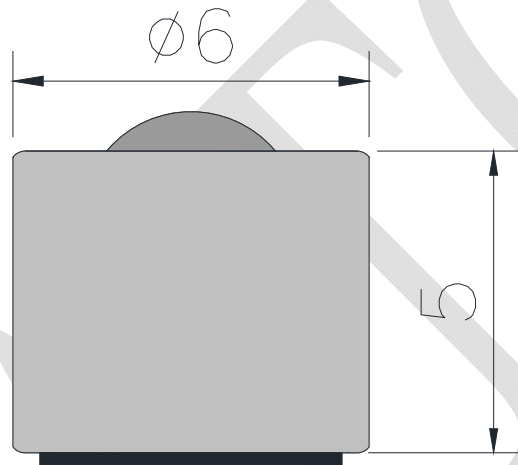
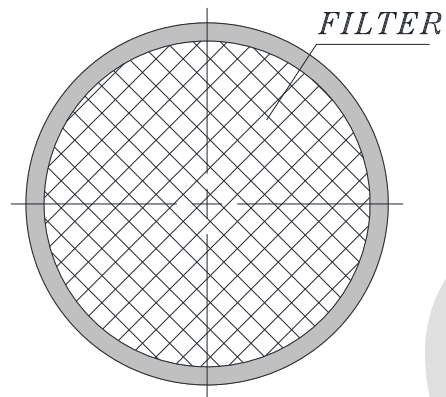
01	Sensitivity	-50±3dB (0dB=1V/Pa,1KHz)
02	Standard Operation Voltage	2.0 V
03	Output Impedance	2.2 KΩ
04	Directivity	Noise Canceling
05	Frequency Range	100 - 10K Hz
06	Max. Operation Voltage	10V
07	Current Consumption	Max.0.5mA
08	Sensitivity Reduction	Within -3dB 0dB=1V/Pa,1KHz Vs=2.0to 1.5V
09	S/N Ratio	≥50dB
10	Sound Pressure Level	110 dB
11	Operating Temperature	-20~+60°C
12	Storage Temperature	-25~+70°C

REV NO.

REVISION NOTE

APPROVAL

DATE



RoHS

TITLE: <b>MICROPHONE</b>		DRAWN: <i>Jack</i> 2019/11/01	SCALE: 5:1	SHEET: 1 of 1
PART NO. <b>AMF-N60C50-NA</b>		DESIGNED: R & D OF AAT	UNITS: mm	
DWG NO. <b>F6050NL-B</b>		CHECKED:	TOLERANCE ± 0.3	
		APPROVAL:	UNLESS OTHERWISE SPECIFIED: ONE PLACE DECIMAL ± *** TWO PLACE DECIMAL ± *** THREE PLACE DECIMAL ± ***	
REV 1		MATERIAL: AL		



ADVANCED ACOUSTIC TECHNOLOGY CORPORATION