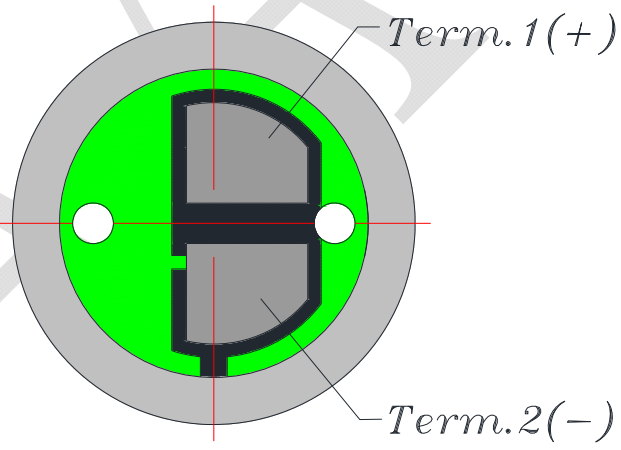
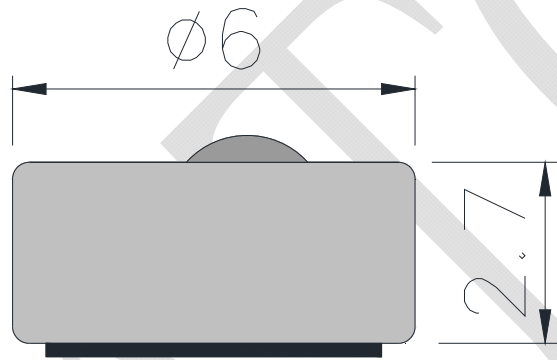
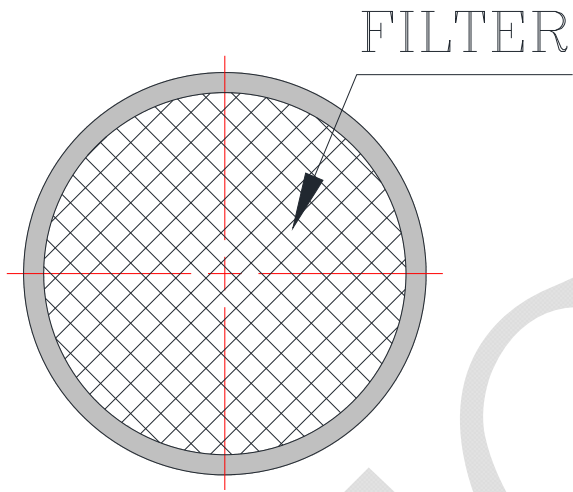


1. SPECIFICATIONS

AMF-N60F51-NA

01	Sensitivity	-51±3dB (0dB=1V/Pa,1KHz)
02	Standard Operation Voltage	2.0 V
03	Output Impedance	2.2 KΩ
04	Directivity	Noise Canceling
05	Frequency Range	100 - 10K Hz
06	Max. Operation Voltage	10V
07	Current Consumption	Max.0.5mA
08	Sensitivity Reduction	Within -3dB 0dB=1V/Pa,1KHz Vs=2.0to 1.5V
09	S/N Ratio	≥50dB
10	Sound Pressure Level	110 dB
11	Operating Temperature	-20~+60°C
12	Storage Temperature	-25~+70°C

REV NO.	REVISION NOTE	APPROVAL	DATE
---------	---------------	----------	------



RoHS

TITLE: MICROPHONE		DRAWN: <i>Blank</i> 2020-03-04	SCALE: 5:1	SHEET: 1 of 1
PART NO. AMF-N60F51-NA		DESIGNED: R & D OF AAT	UNITS: mm	
DWC NO. HX-HNN6027T-S		CHECKED:	TOLERANCE ± 0.3	
		APPROVAL:	UNLESS OTHERWISE SPECIFIED: ONE PLACE DECIMAL \pm *** TWO PLACE DECIMAL \pm *** THREE PLACE DECIMAL \pm ***	
REV	2	MATERIAL: AL		



ADVANCED ACOUSTIC TECHNOLOGY CORPORATION