

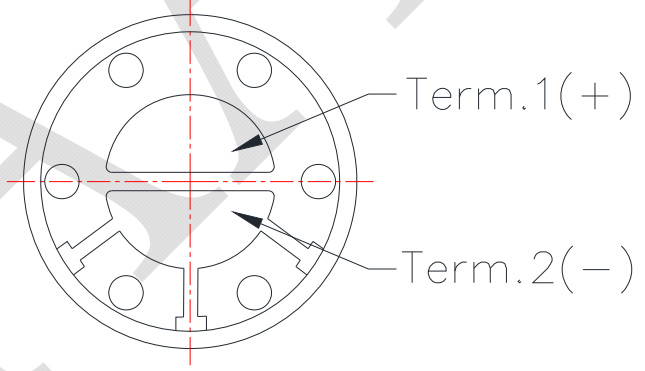
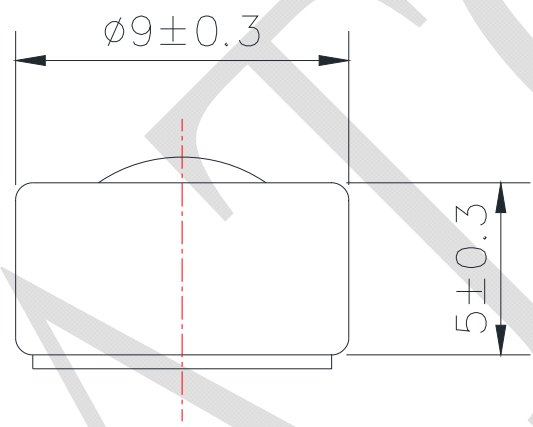
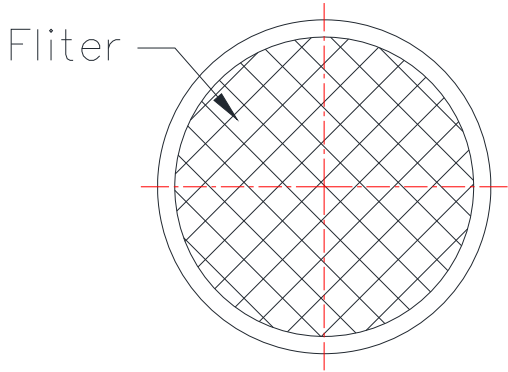
1. SPECIFICATIONS

AMF-N97C52-NA

| | | |
|----|----------------------------|---|
| 01 | Sensitivity | -52±3dB (0dB=1V/Pa,1KHz) |
| 02 | Standard Operation Voltage | 4.5 V |
| 03 | Output Impedance | 2.2 KΩ |
| 04 | ※Directivity | Unidirectional |
| 05 | Frequency Range | 100 - 10K Hz |
| 06 | Max. Operation Voltage | 10V |
| 07 | Current Consumption | Max.0.5mA |
| 08 | Sensitivity Reduction | Within -3dB (0dB=1V/Pa,1KHz ,Vs=4.5 reduced to 4.0 V) |
| 09 | S/N Ratio | ≥58dB |
| 10 | Sound Pressure Level | 110 dB |
| 11 | Operating Temperature | -20~+60°C |
| 12 | Storage Temperature | -25~+70°C |

※ For noise-cancelling use, please refer to unidirectional or bidirectional types.

| | | | |
|---------|---------------|----------|------|
| REV NO. | REVISION NOTE | APPROVAL | DATE |
|---------|---------------|----------|------|



RoHS

| | | | | |
|------------------------|-----|-------------------------|------------------------|---------------|
| TITLE: MICROPHONE | | DRAWN: Jason 2010/04/01 | SCALE: 5:1 | SHEET: 1 of 1 |
| PART NO. AMF-N97C52-NA | 1 | DESIGNED: R & D OF AAT | UNITS: mm | |
| DWG NO. F9750NL | | CHECKED: | TOLERANCE ± 0.3 | |
| | REV | APPROVAL: | FIRST ANGLE PROJECTION | |
| | | MATERIAL: ***** | | |



ADVANCED ACOUSTIC TECHNOLOGY CORPORATION