

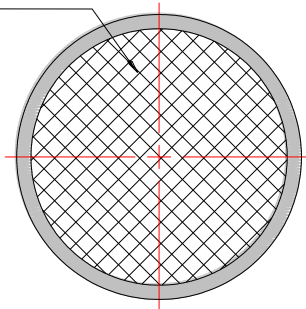
1. SPECIFICATIONS

AMF-O60C25-1CB

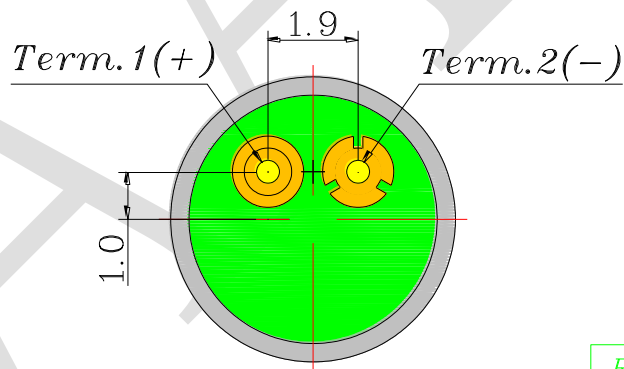
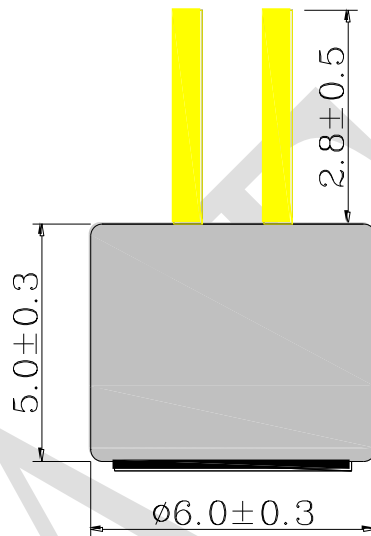
01	Electret's Type	Foil type
02	Sensitivity	-25±3dB (0dB=1V/Pa,1KHz)
03	Standard Operation Voltage	2.0 V
04	Output Impedance	2.2 KΩ
05	Directivity	Omni directional
06	Frequency Range	20- 10 K Hz
07	Max. Operation Voltage	10V
08	Current Consumption	Max.0.5mA
09	Sensitivity Reduction	Within -3dB 0dB=1V/Pa,1KHz Vs=2.0to 1.5V
10	S/N Ratio	≥58dB
11	Sound Pressure Level	110 dB

REV NO.	REVISION NOTE	APPROVAL	DATE
---------	---------------	----------	------

FILTER



2- $\phi 0.4 \pm 0.1$



RoHS

TITLE: <i>MICROPHONE</i>	DRAWN: <i>Moose</i> 2017/07/13	SCALE: 5:1	SHEET: 1 of 1
PART NO. <i>AMF-060C25-1CB</i>	DESIGNED: R & D OF AAT	UNITS: mm	TOLERANCE ± 0.3
DWC NO. <i>F6050AP-STN 1180</i>	CHECKED:	UNLESS OTHERWISE SPECIFIED:	
	APPROVAL:	ONE PLACE DECIMAL \pm ***	
REV	MATERIAL: AL	TWO PLACE DECIMAL \pm ***	
		THREE PLACE DECIMAL \pm ***	



ADVANCED ACOUSTIC TECHNOLOGY CORPORATION