

1. SPECIFICATIONS**AMF-O60C36-CWH (RoHS)**

01	Electret Type	Foil type
02	Sensitivity	-36±3dB (0dB=1V/Pa,1KHz)
03	Standard Operation Voltage	2.0V
04	Output Impedance (Max)	2.2KΩ
05	Directivity	Omni directional
06	Frequency Range	20 - 16K Hz
07	Max. Operation Voltage	10V
08	Current Consumption	Max.0.5mA
09	Sensitivity Reduction	Within -3dB 0dB=1V/Pa,1KHz Vs=2.0to 1.5V
10	S/N Ratio	≥58dB
11	Sound Pressure Level	110dB

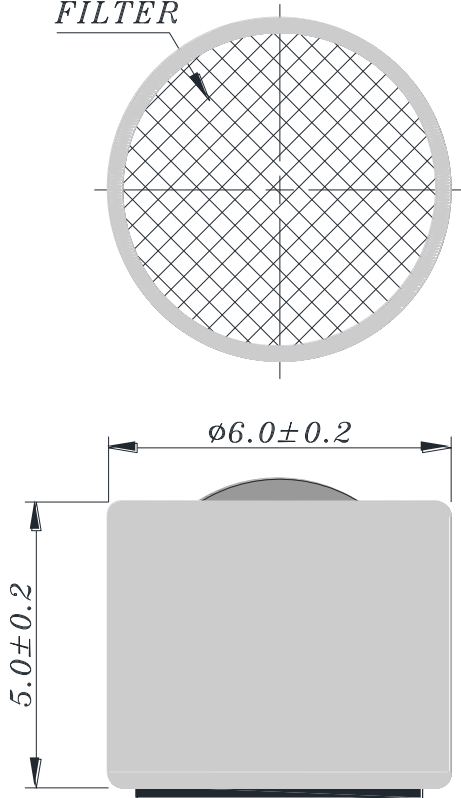
REV NO.

REVISION NOTE

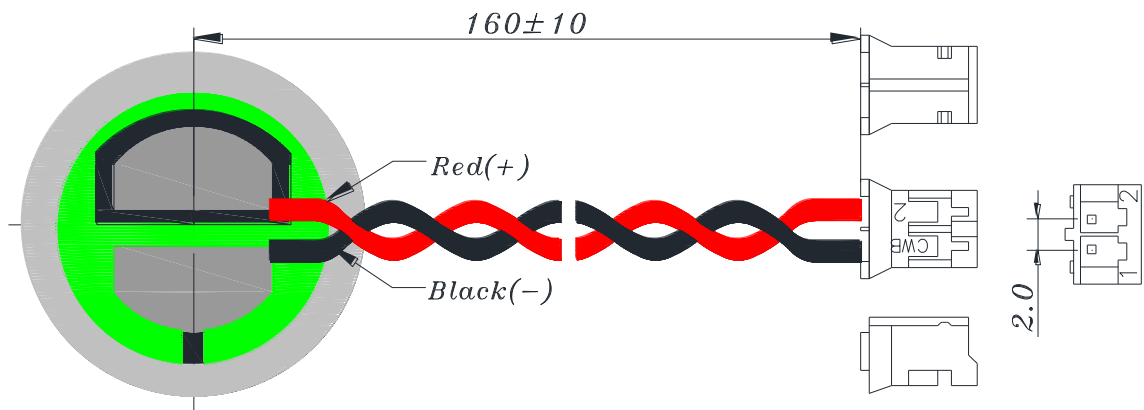
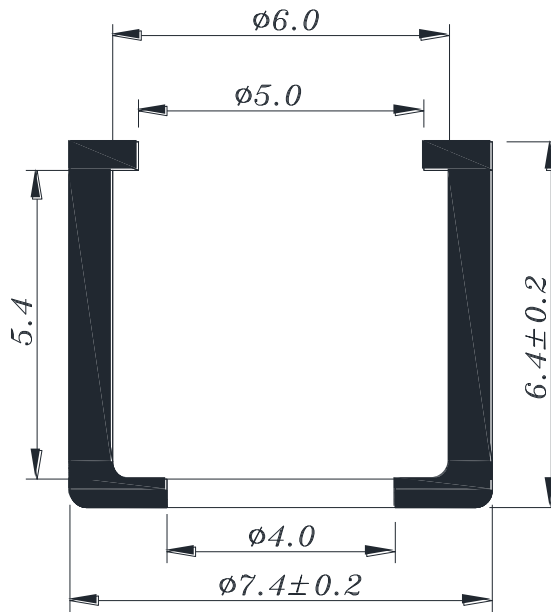
APPROVAL

DATE

FILTER



Wire: UL1571,30#AWG;
 Holder: DD-EQ-JTC74-01.
 CONNECTOR:JST PHR-2 Equivalent.



RoHS

TITLE: MICROPHONE		DRAWN: <i>Jason</i> 2010-01-05	SCALE: 5:1	SHEET: 1 of 1
PART NO. AMF-060C36-CWH	1	DESIGNED: <i>R & D OF AAT</i>	UNITS: <i>mm</i>	
DWG NO. HL-100105		CHECKED:	TOLERANCE ± 0.3	
REV		APPROVAL:	UNLESS OTHERWISE SPECIFIED: ONE PLACE DECIMAL ± *** TWO PLACE DECIMAL ± *** THREE PLACE DECIMAL ± ***	
		MATERIAL: *****		



ADVANCED ACOUSTIC TECHNOLOGY CORPORATION