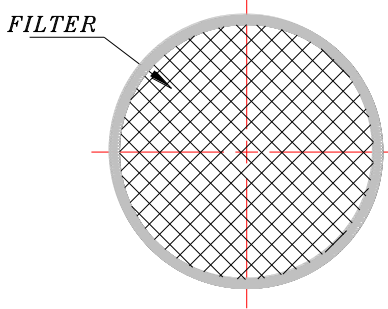


## 1. SPECIFICATIONS

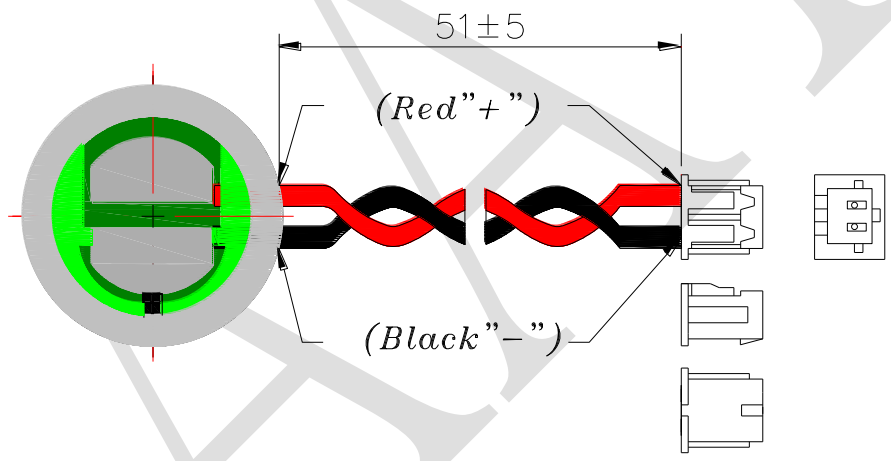
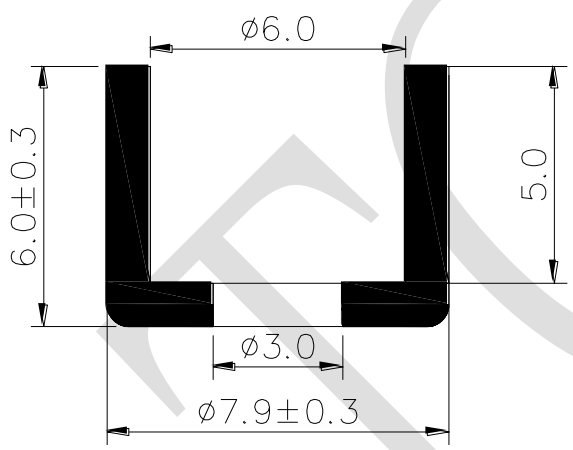
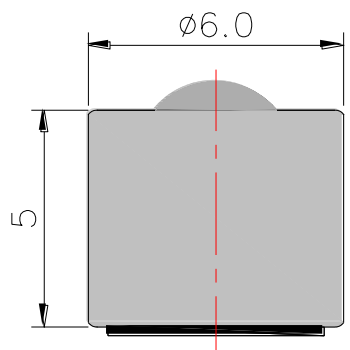
AMF-O60C40-NWH-LF

01	<b>Electret's Type</b>	Foil type
02	<b>Sensitivity</b>	-40±3dB (0dB=1V/Pa,1KHz)
03	<b>Standard Operation Voltage</b>	2.0 V
04	<b>Output Impedance</b>	2.2 KΩ
05	<b>Directivity</b>	Omni directional
06	<b>Frequency Range</b>	70 - 20K Hz
07	<b>Max. Operation Voltage</b>	10V
08	<b>Current Consumption</b>	Max.0.5mA
09	<b>Sensitivity Reduction</b>	Within -3dB 0dB=1V/Pa,1KHz Vs=2.0to 1.5V
10	<b>S/N Ratio</b>	≥58dB

REV NO.	REVISION NOTE	APPROVAL	DATE
---------	---------------	----------	------



Wires: UL1571,30AWG#  
 Connector : Equivalent to Molex 51021-0200  
 Holder:DD-EQ-JTC79-01



RoHS

TITLE: <b>MICROPHONE</b>		DRAWN: <i>Moose</i> 2016/03/11	SCALE: 5:1	SHEET: 1 of 1
PART NO. <b>AMF-060C40-NWH-LF</b>	<b>2</b>	DESIGNED: R & D OF AAT	UNITS: mm	
DWG NO. <b>F6050AL-SBN-D54-M -11436</b>		CHECKED:	TOLERANCE $\pm 0.3$	
REV		APPROVAL:	UNLESS OTHERWISE SPECIFIED: ONE PLACE DECIMAL $\pm$ *** TWO PLACE DECIMAL $\pm$ *** THREE PLACE DECIMAL $\pm$ ***	
		MATERIAL: AL		



**ADVANCED ACOUSTIC TECHNOLOGY CORPORATION**