

1. SPECIFICATIONS

AMF-O60C42-CWH

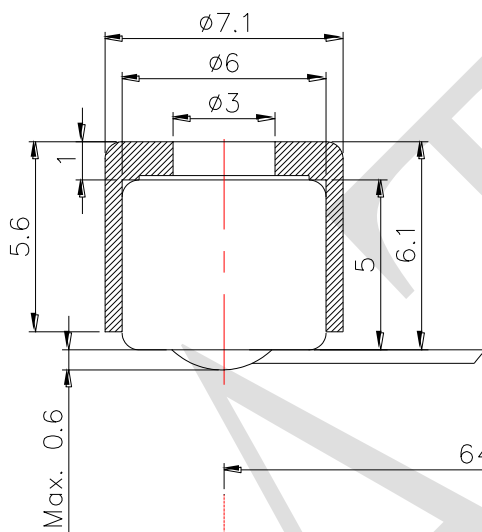
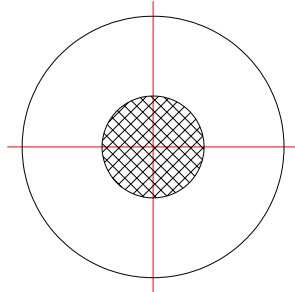
01	Electret's Type	Foil type
02	Sensitivity	-42±3dB (0dB=1V/Pa,1KHz)
03	Standard Operation Voltage	2.0 V
04	Output Impedance	2.2 KΩ
05	Directivity	Omni directional
06	Frequency Range	100 - 20K Hz
07	Max. Operation Voltage	10V
08	Current Consumption	Max.0.5mA
09	Sensitivity Reduction	Within -3dB 0dB=1V/Pa,1KHz Vs=2.0to 1.5V
10	S/N Ratio	≥58dB
11	Sound Pressure Level	110 dB

REV NO.

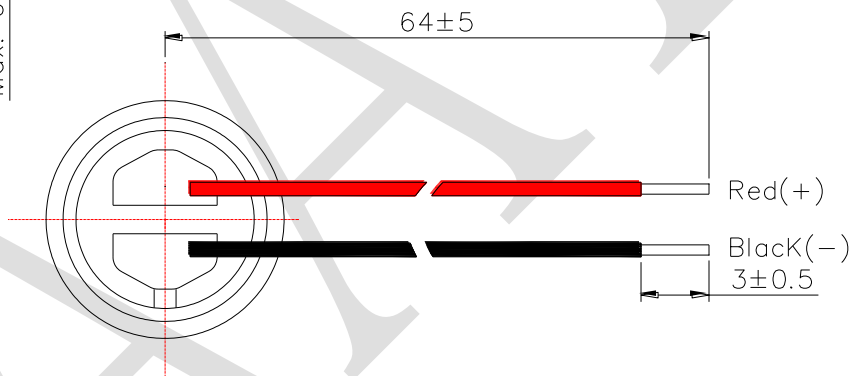
REVISION NOTE

APPROVAL

DATE



WIRE. : UL 1007 , 28 AWG .
 MIC. : ø6 * 5 mm
 HOLDER : HLM-JT-058 .



TITLE: MICROPHONE

DRAWN: *Moose* 11/04/2015

SCALE: 5/1 SHEET: 1 : 1

PART NO. AMF-060C42-CWH

DESIGNED: R & D OF AAT

UNITS: mm

2

CHECKED:

TOLERANCE ± 0.2

DWG NO. F6050AL-SDN-64-M 5952

REV

APPROVAL:

UNLESS OTHERWISE SPECIFIED

ONE PLACE DECIMAL ± ***

TWO PLACE DECIMAL ± ***

THREE PLACE DECIMAL ± ***

MATERIAL: Gilt



ADVANCED ACOUSTIC TECHNOLOGY CORPORATION