

1. SPECIFICATIONS

AMF-O60C42-NWH26

01	Electret's Type	Foil type
02	Sensitivity	-42±3dB (0dB=1V/Pa,1KHz)
03	Standard Operation Voltage	2.0 V
04	Output Impedance	2.2 KΩ
05	Directivity	Omni directional
06	Frequency Range	100 - 10K Hz
07	Max. Operation Voltage	10V
08	Current Consumption	Max.0.5mA
09	Sensitivity Reduction	Within -3dB 0dB=1V/Pa,1KHz Vs=2.0to 1.5V
10	S/N Ratio	≥58dB
11	Sound Pressure Level	110 dB

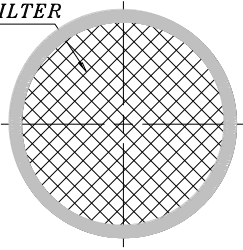
REV NO.

REVISION NOTE

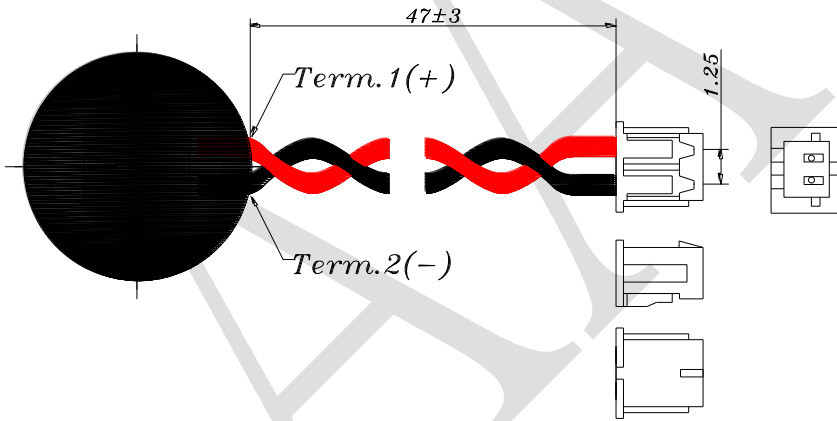
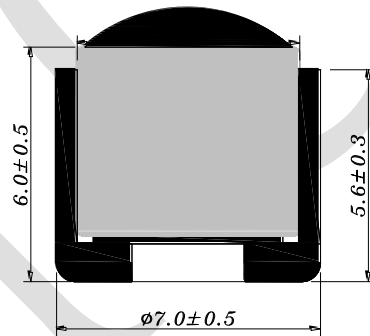
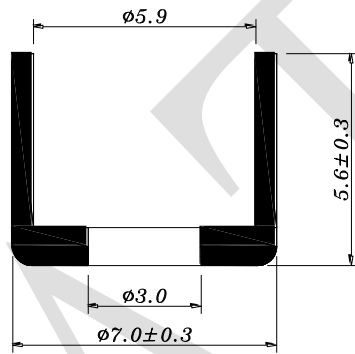
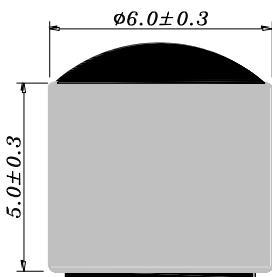
APPROVAL

DATE

FILTER



Wires: UL1571,28#AWG;
(DD-EQ-5533)
Molex 51021-02
Holder:DD-EQ-JTC70-04



RoHS

TITLE: MICROPHONE		DRAWN: <i>Zack</i> 2016/06/30	SCALE: 5:1	SHEET: 1 of 1
PART NO. AMF-060C42-NWH26		DESIGNED: R & D OF AAT	UNITS: mm	
DWG NO. F6050AL-SB-D50-M-L066	2 REV	CHECKED:	TOLERANCE ± 0.3	
		APPROVAL:	UNLESS OTHERWISE SPECIFIED: ONE PLACE DECIMAL ± *** TWO PLACE DECIMAL ± *** THREE PLACE DECIMAL ± ***	
		MATERIAL: AL		



ADVANCED ACOUSTIC TECHNOLOGY CORPORATION