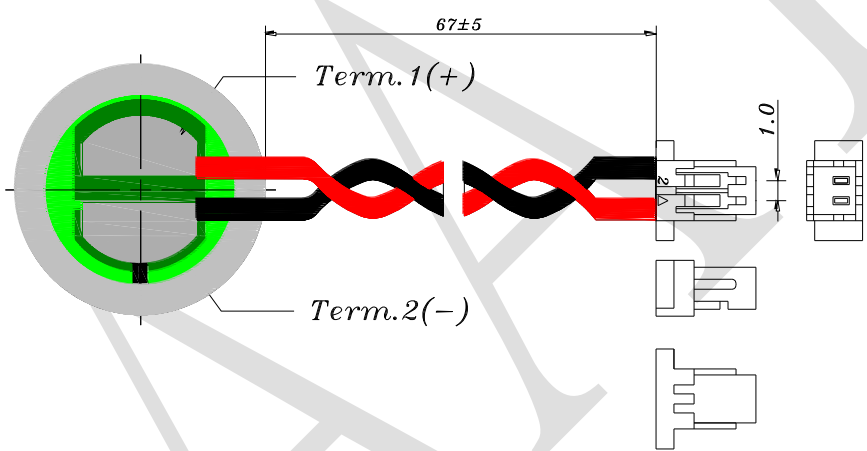
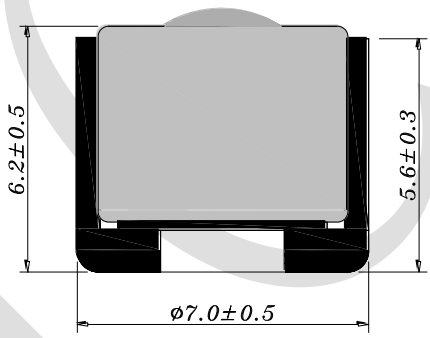
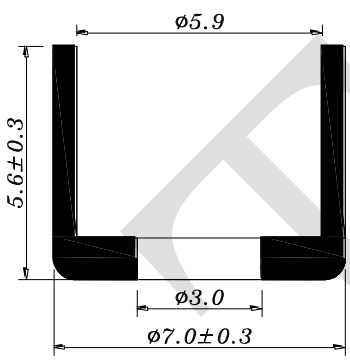
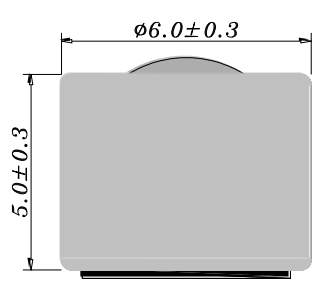
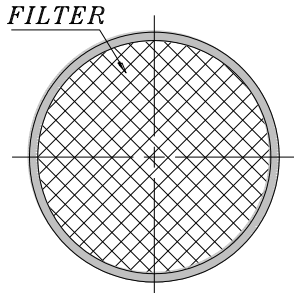


1. SPECIFICATIONS

AMF-O60C46-NWH

01	Electret's Type	Foil type
02	Sensitivity	-46±3dB (0dB=1V/Pa,1KHz)
03	Standard Operation Voltage	2.0 V
04	Output Impedance	2.2 KΩ
05	Directivity	Omni directional
06	Frequency Range	100 - 10K Hz
07	Max. Operation Voltage	10V
08	Current Consumption	Max.0.5mA
09	Sensitivity Reduction	Within -3dB 0dB=1V/Pa,1KHz Vs=2.0to 1.5V
10	S/N Ratio	≥58dB
11	Sound Pressure Level	110 dB

REV NO.	REVISION NOTE	APPROVAL	DATE
---------	---------------	----------	------



Wires: UL1571,AWG30#
 Connector : JST SHR-02V-S-B
 Holder:DD-EQ-JTC70-04

RoHS

TITLE: MICROPHONE		DRAWN: <i>Jack</i>	2016/06/27	SCALE: 5:1	SHEET: 1 of 1
PART NO. AMF-060C46-NWH		DESIGNED: R & D OF AAT	UNITS: mm		
DWG NO. F6050AL-SB-D70-M 11550		CHECKED:	TOLERANCE ± 0.3		
		APPROVAL:	UNLESS OTHERWISE SPECIFIED: ONE PLACE DECIMAL ± *** TWO PLACE DECIMAL ± *** THREE PLACE DECIMAL ± ***		
REV	2	MATERIAL: AL			



ADVANCED ACOUSTIC TECHNOLOGY CORPORATION