

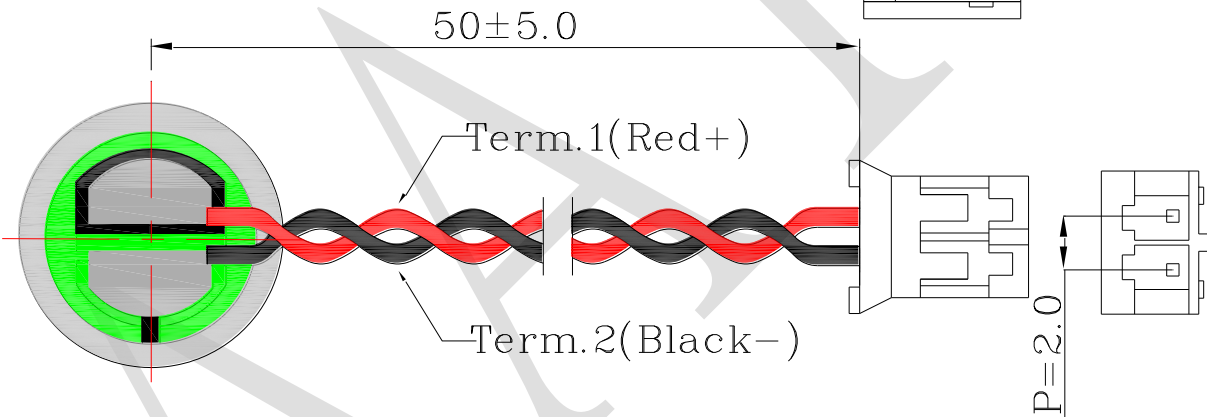
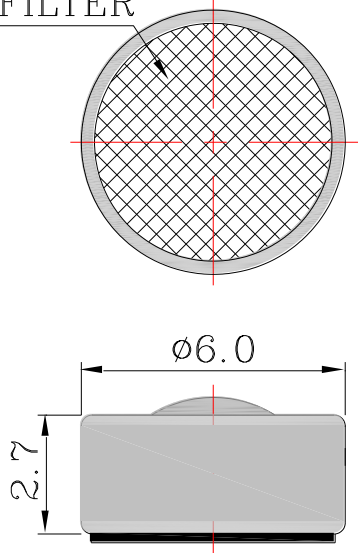
1. SPECIFICATIONS

AMF-O60F38-NW1

01	Electret's Type	Foil type
02	Sensitivity	-38±3dB (0dB=1V/Pa,1KHz)
03	Standard Operation Voltage	2.0 V
04	Output Impedance	2.2 KΩ
05	Directivity	Omni directional
06	Frequency Range	100 - 20K Hz
07	Max. Operation Voltage	10V
08	Current Consumption	Max.0.5mA
09	Sensitivity Reduction	Within -3dB 0dB=1V/Pa,1KHz Vs=2.0to 1.5V
10	S/N Ratio	≥58dB
11	Sound Pressure Level	110 dB

REV NO.	REVISION NOTE	APPROVAL	DATE
---------	---------------	----------	------

FILTER



WIRE: UL 1571. AWG30#
 CONNECTOR: Equivalent to JST PHR-2

RoHS

TITLE: MICROPHONE		DRAWN: <i>Jerry</i> 2013/04/19	SCALE: 5:1	SHEET: 1 of 1
PART NO. AMF-060F38-NW1		DESIGNED: R & D OF AAT	UNITS: mm	
DWG NO. F6027AL-SD-D50 6986		CHECKED:	TOLERANCE ± 0.3	
		APPROVAL:	UNLESS OTHERWISE SPECIFIED:	
REV 2	MATERIAL: *****		ONE PLACE DECIMAL ± ***	
			TWO PLACE DECIMAL ± ***	
			THREE PLACE DECIMAL ± ***	



ADVANCED ACOUSTIC TECHNOLOGY CORPORATION