

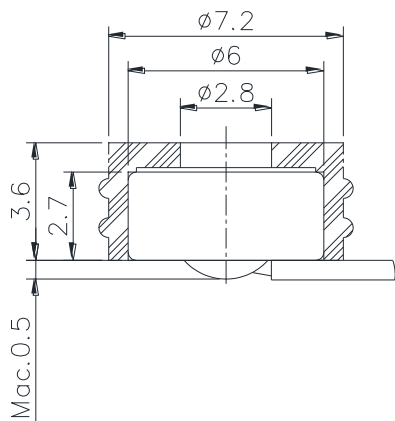
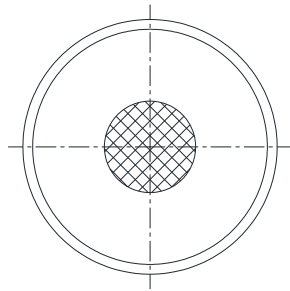
File Name:

## 1. SPECIFICATIONS

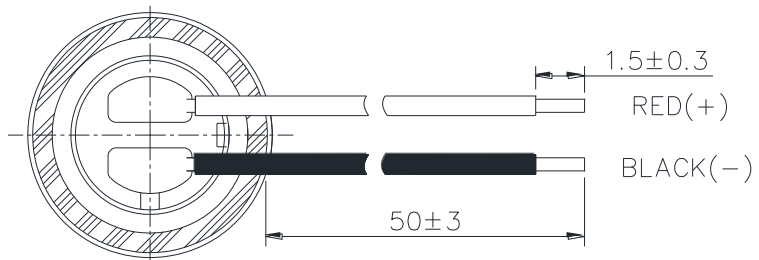
AMF-O60F40-CWH-LF

|    |                                   |   |
|----|-----------------------------------|---|
| 01 | <b>Electret Type</b>              | Foil type                                       |
| 02 | <b>Sensitivity</b>                | -40±3dB (0dB=1V/Pa,1KHz) Band form 300 to 3K Hz |
| 03 | <b>Output Impedance (Max)</b>     | 2.2KΩ   |
| 04 | <b>Directivity</b>                | Omnidirectional                                 |
| 05 | <b>Frequency Range</b>            | 70 - 20KHz                                      |
| 06 | <b>Max.Operation Voltage</b>      | 10V   |
| 07 | <b>Standard Operation Voltage</b> | 2.0V  |
| 08 | <b>Current Consumption</b>        | Max.0.5mA                                       |
| 09 | <b>Sensitivity Reduction</b>      | Within -3dB 0dB=1V/Pa,1KHz Vs=2.0 to 1.5V       |
| 10 | <b>S/N Ratio</b>                  | >= 60dB   |

|         |               |          |      |
|---------|---------------|----------|------|
| REV NO. | REVISION NOTE | APPROVAL | DATE |
|---------|---------------|----------|------|



HOLDER : HLM-JT-070 .  
 WIRE : UL 1571 , 32 AWG .  
 MIC. :  $\text{Ø} * 2.7\text{mm}$  .



|                                   |          |                               |  |               |
|-----------------------------------|----------|-------------------------------|--|---------------|
| TITLE: <b>MICROPHONE</b>          |          | DRAWN: <i>JOHN</i> 05/18/2006 | SCALE: 5:1   | SHEET: 1 of 1 |
| PART NO. <b>AMF-060F40-CWH-LF</b> |          | DESIGNED: R & D OF AAT        | UNITS: mm  |               |
| DWG NO. <b>DTM-1370</b>           |          | CHECKED:                      | TOLERANCE ± 0.2  |               |
|                                   |          | APPROVAL:                     | UNLESS OTHERWISE SPECIFIED:<br>ONE PLACE DECIMAL ± ***<br>TWO PLACE DECIMAL ± ***<br>THREE PLACE DECIMAL ± *** |               |
| REV                               | <b>1</b> | MATERIAL: *****               |  |               |



**ADVANCED ACOUSTIC TECHNOLOGY CORPORATION**