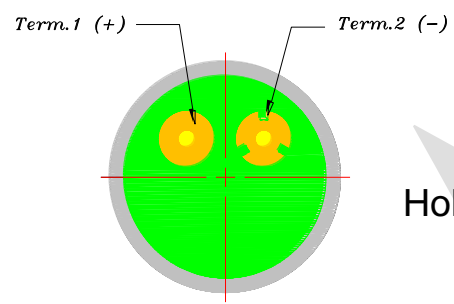
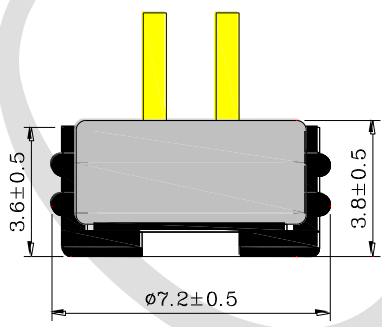
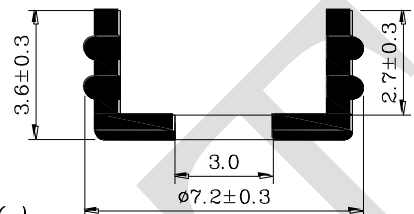
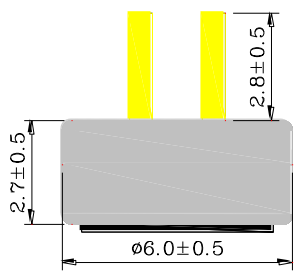
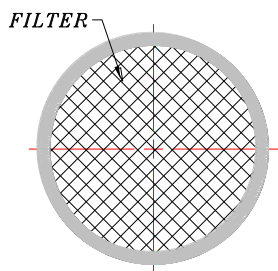


1. SPECIFICATIONS

AMF-O6042-2FBH

01	Electret's Type	Foil type
02	Sensitivity	-42±3dB (0dB=1V/Pa,1KHz)
03	Standard Operation Voltage	2.0 V
04	Output Impedance	2.2 KΩ
05	Directivity	Omni directional
06	Frequency Range	20 – 16 K Hz
07	Max. Operation Voltage	10V
08	Current Consumption	Max.0.5mA
09	Sensitivity Reduction	Within -3dB 0dB=1V/Pa,1KHz Vs=2.0to 1.5V
10	S/N Ratio	≥60dB
11	Sound Pressure Level	110 dB

REV NO.	REVISION NOTE	APPROVAL	DATE
---------	---------------	----------	------



Holder : DD-EQ-JTC72-03

RoHS

TITLE: MICROPHONE	DRAWN: <i>Moose</i> 2017/07/24	SCALE: 5:1	SHEET: 1 of 1
PART NO. AMF-060F42-2FBH	DESIGNED: R & D OF AAT	UNITS: mm	
DWC NO. F6027AP-SYGP-M 11791	CHECKED:	TOLERANCE ± 0.3	
	APPROVAL:	UNLESS OTHERWISE SPECIFIED:	
	MATERIAL: AL	ONE PLACE DECIMAL ± ***	
		TWO PLACE DECIMAL ± ***	
		THREE PLACE DECIMAL ± ***	



ADVANCED ACOUSTIC TECHNOLOGY CORPORATION