

## 1. SPECIFICATIONS

AMF-O60F42-CB1-LF

01	<b>Electret's Type</b>	Foil type
02	<b>Sensitivity</b>	-42±3dB (0dB=1V/Pa,1KHz)
03	<b>Standard Operation Voltage</b>	2.0 V
04	<b>Output Impedance</b>	2.2 KΩ
05	<b>Directivity</b>	Omni directional
06	<b>Frequency Range</b>	100 - 20K Hz
07	<b>Max. Operation Voltage</b>	10V
08	<b>Current Consumption</b>	Max.0.5mA
09	<b>Sensitivity Reduction</b>	Within -3dB 0dB=1V/Pa,1KHz Vs=2.0to 1.5V
10	<b>S/N Ratio</b>	≥58dB
11	<b>Sound Pressure Level</b>	110 dB

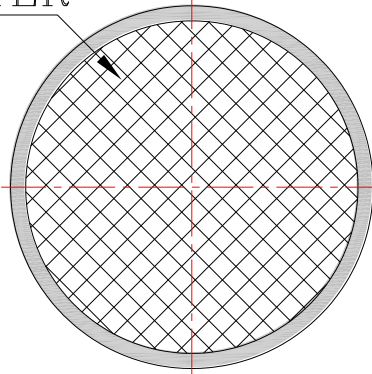
REV NO.

REVISION NOTE

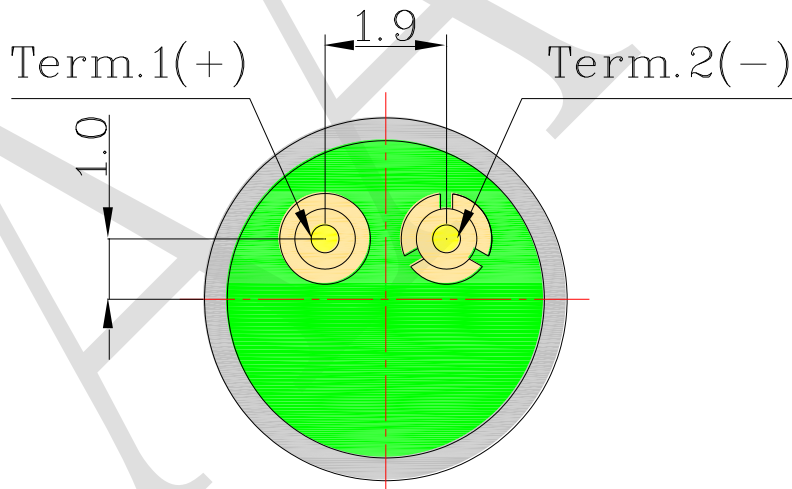
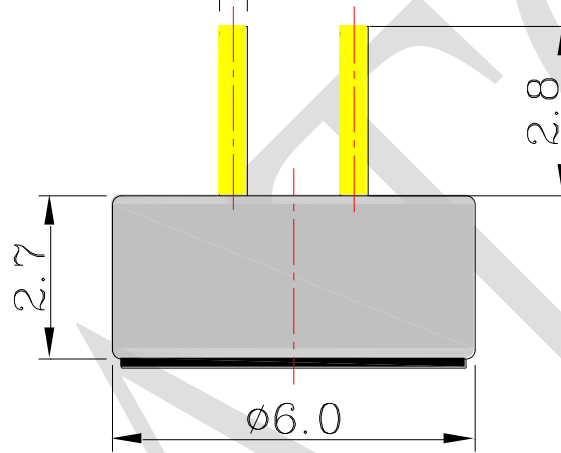
APPROVAL

DATE

FILTER



2- $\phi 0.45 \pm 0.05$



RoHS

TITLE: <b>MICROPHONE</b>		DRAWN: <i>Jerry</i> 2013/01/17	SCALE: 5:1	SHEET: 1 of 1
PART NO. <b>AMF-060F42-CB1-LF</b>		DESIGNED: R & D OF AAT	UNITS: mm	
DWG NO. <b>F6027AP-SDN(P=2.8) 6741</b>		CHECKED:	TOLERANCE $\pm 0.3$	
		APPROVAL:	UNLESS OTHERWISE SPECIFIED: ONE PLACE DECIMAL $\pm$ *** TWO PLACE DECIMAL $\pm$ *** THREE PLACE DECIMAL $\pm$ ***	
REV	2	MATERIAL: *****		



ADVANCED ACOUSTIC TECHNOLOGY CORPORATION