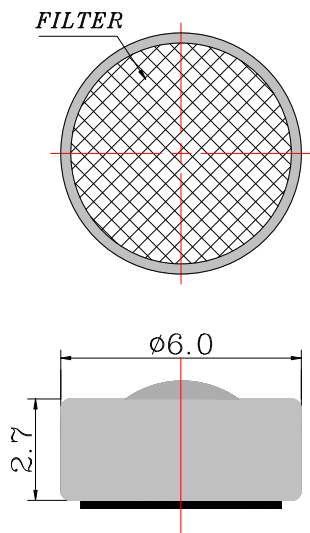


## 1. SPECIFICATIONS

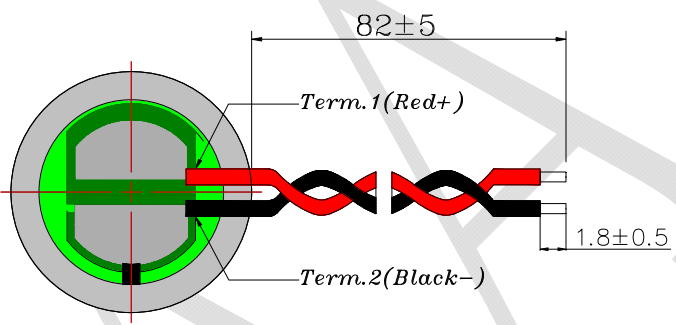
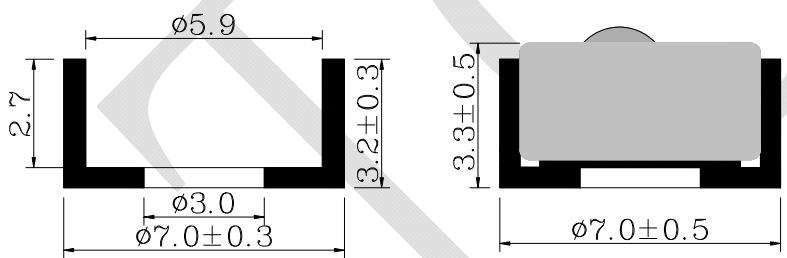
AMF-O60F42-DWH2

|    |                            |  |
|----|----------------------------|--|
| 01 | Electret's Type            | Foil type                                |
| 02 | Sensitivity                | -42±3dB (0dB=1V/Pa,1KHz)                 |
| 03 | Standard Operation Voltage | 2.0 V                                    |
| 04 | Output Impedance           | 2.2 KΩ                                   |
| 05 | Directivity                | Omni directional                         |
| 06 | Frequency Range            | 100 - 20K Hz                             |
| 07 | Max. Operation Voltage     | 10V                                      |
| 08 | Current Consumption        | Max.0.5mA                                |
| 09 | Sensitivity Reduction      | Within -3dB 0dB=1V/Pa,1KHz Vs=2.0to 1.5V |
| 10 | S/N Ratio                  | ≥58dB                                    |
| 11 | Sound Pressure Level       | 110 dB                                   |

|         |               |          |      |
|---------|---------------|----------|------|
| REV NO. | REVISION NOTE | APPROVAL | DATE |
|---------|---------------|----------|------|



Wire:UL1571,30 AWG  
Holder:DD-EQ-JTC70-06



RoHS

|                                       |          |                                   |  |            |               |
|---------------------------------------|----------|-----------------------------------|--|------------|---------------|
| TITLE: <b>MICROPHONE</b>              |          | DRAWN: <b>Zack</b>                | 2013/10/01   | SCALE: 5:1 | SHEET: 1 of 1 |
| PART NO. <b>AMF-060F42-DWH2</b>       |          | DESIGNED: <b>R &amp; D OF AAT</b> | UNITS: <b>mm</b>                                       |            |               |
| DWG NO. <b>F6027AL-SBZ-85-M 10274</b> | 2<br>REV | CHECKED:                          | TOLERANCE <b>± 0.3</b>                                 |            |               |
|                                       |          | APPROVAL:                         | UNLESS OTHERWISE SPECIFIED:<br>ONE PLACE DECIMAL ± *** |            |               |
|                                       |          | MATERIAL: <b>*****</b>            | TWO PLACE DECIMAL ± ***<br>THREE PLACE DECIMAL ± ***   |            |               |



ADVANCED ACOUSTIC TECHNOLOGY CORPORATION